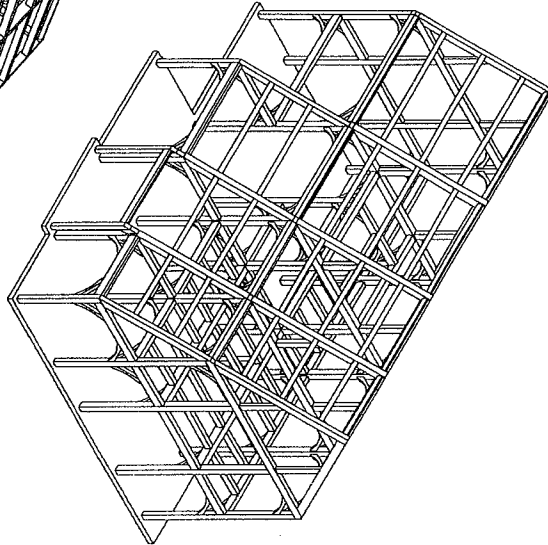
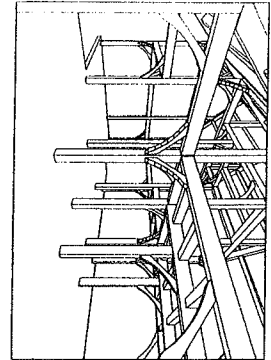
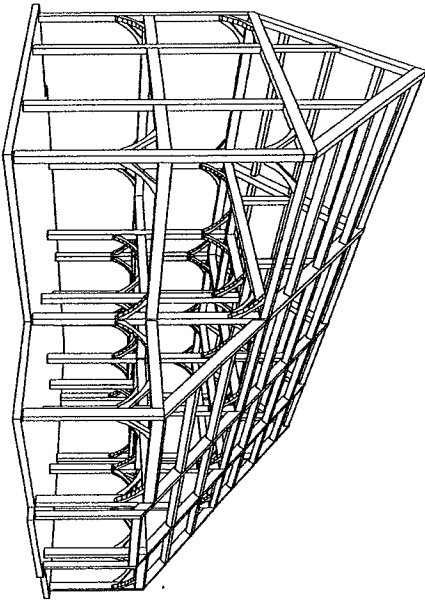
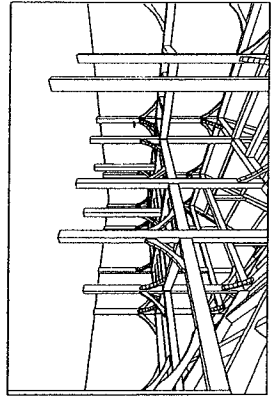


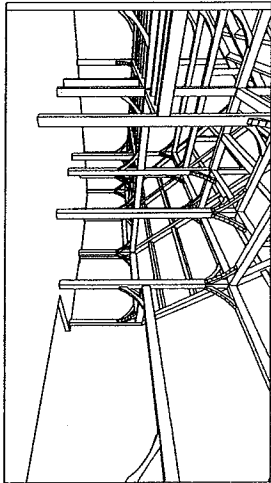
View from Kitchen toward Living Room



View from Kitchen toward Dining Room



View from Living Room toward Kitchen



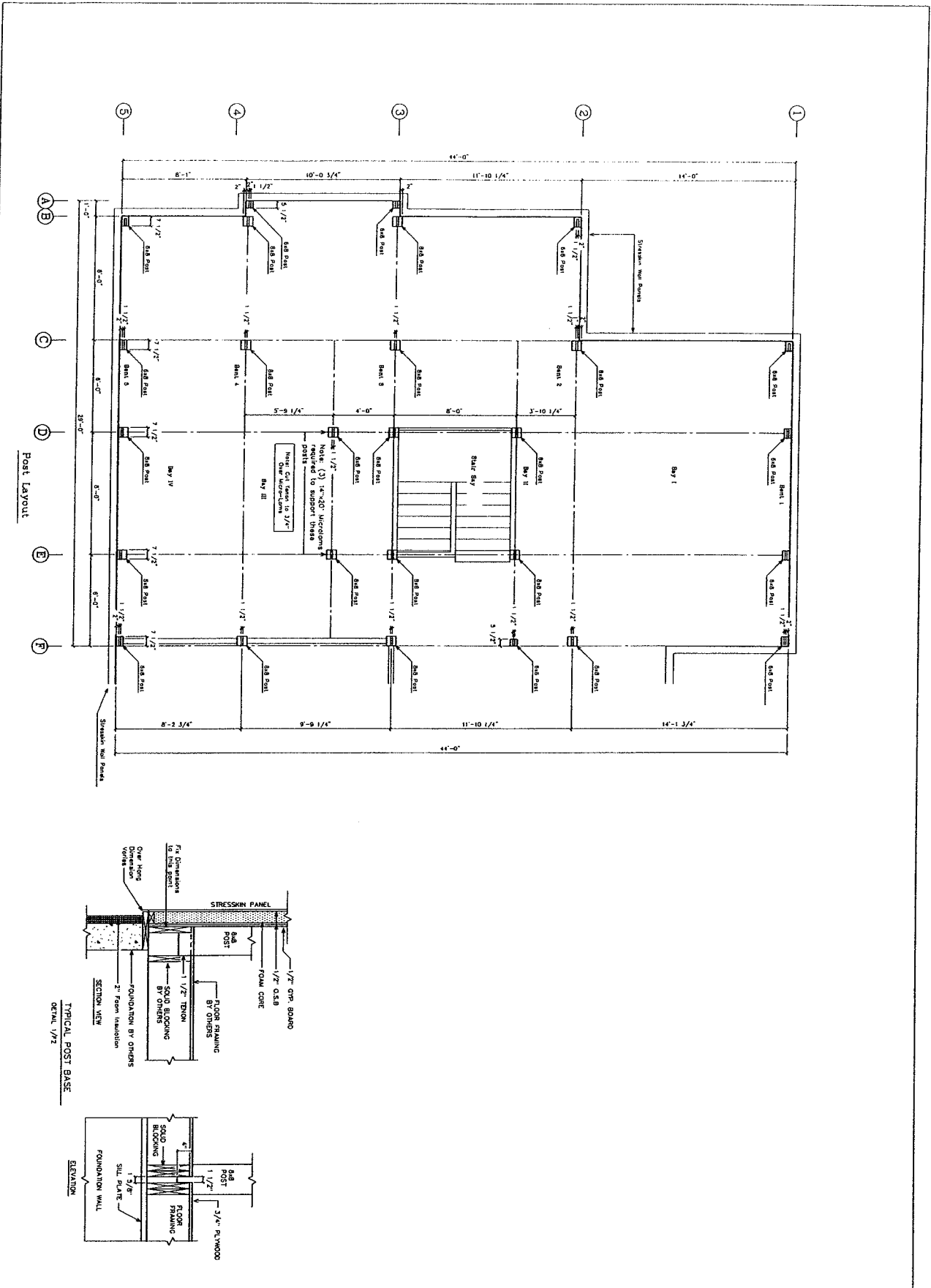
DRAWN BY: [Blank]
 DATE: 3/29/02
 SCALE: 1/4"=1'-0"
 JOB NO.: [Blank]
 SHEET: F-1
 OF [Blank] SHEETS

PROJECT: Isbitski Residence
Salisbury, NH

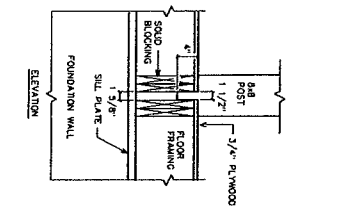
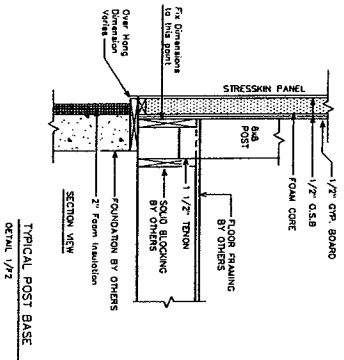
SHOP DRAWINGS
Perspectives



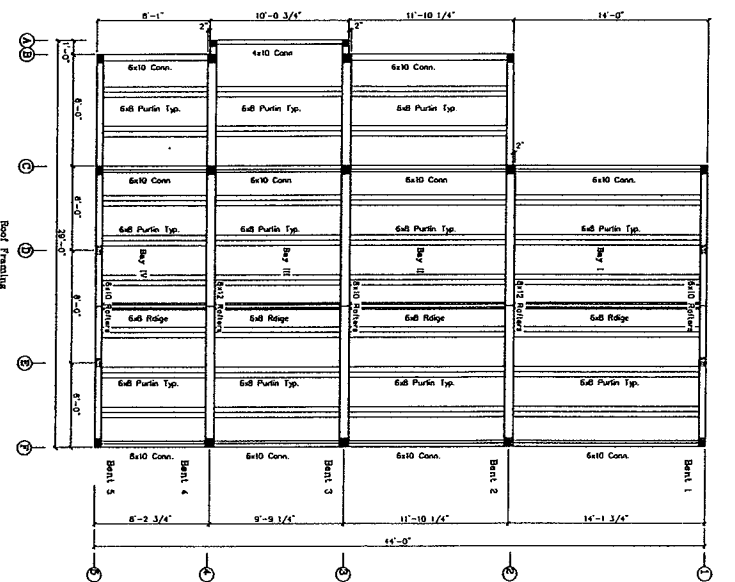
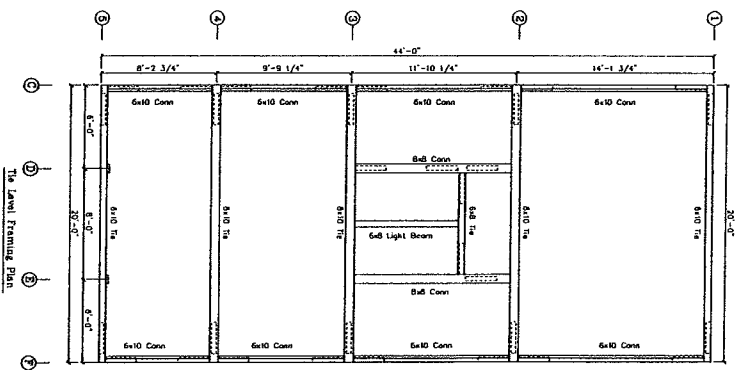
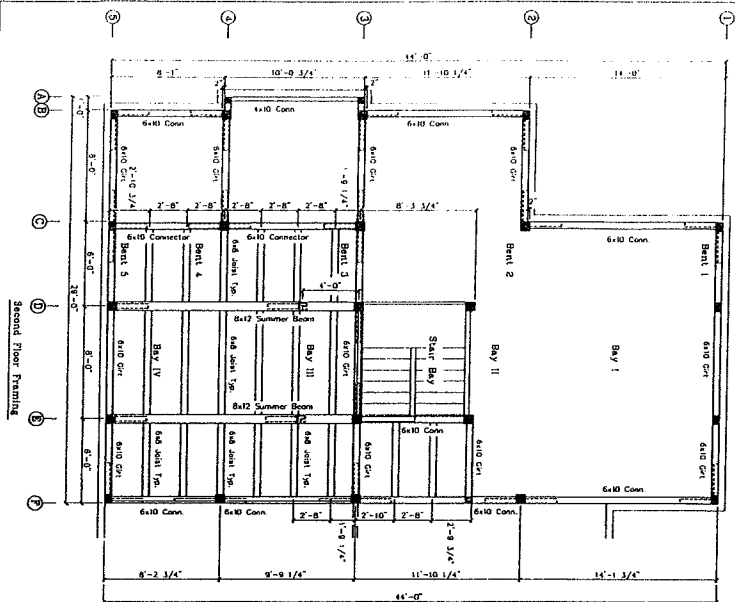
REVISIONS	BY
2/28/02	[Blank]
4/12/02	[Blank]
5/17/02	[Blank]



Post Layout



SHOP DRAWINGS Post Layout	VERMONT TIMBER WORKS 10000 Rte. 100 Vergennes, VT 05491 802-885-9007	REVISIONS BY DATE
		4/12/02 5/17/02
PROJECT: Isbitski Residence Salisbury, NH		SHEET F-2
DRAWN BY: D.J.F.	CHECKED BY: D.J.F.	DATE: 4/8/02 SCALE: 3/8"=1'-0" JOB NO.: SHEET



DATE: 3/26/02
 SCALE: 1/4"=1'-0"
 SHEET: F-3
 OF 3 SHEETS

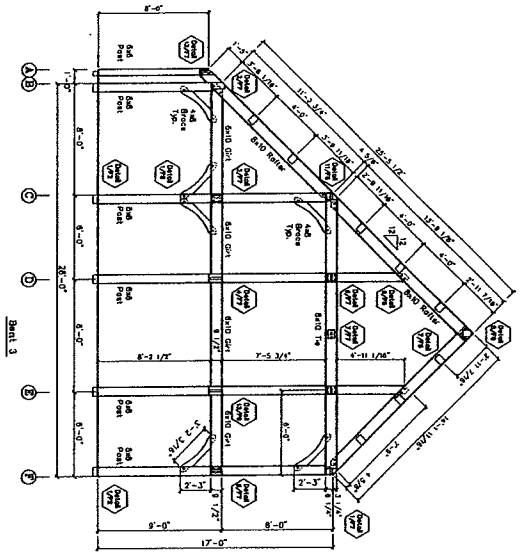
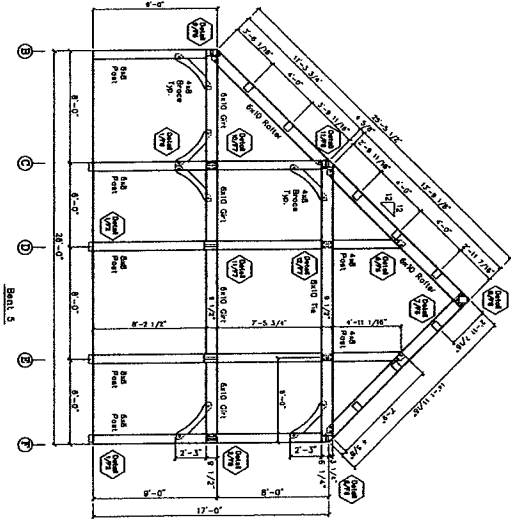
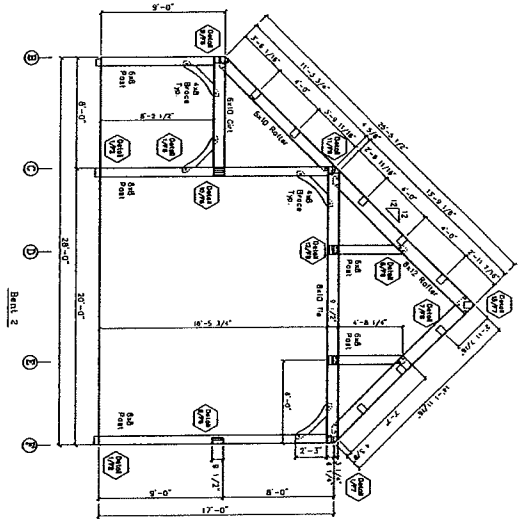
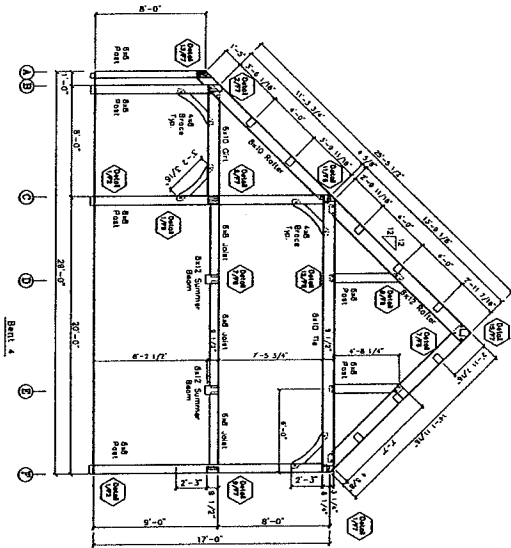
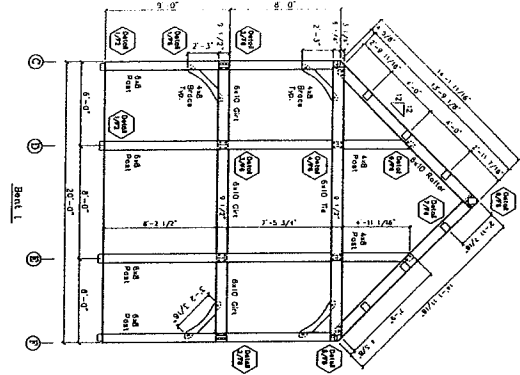
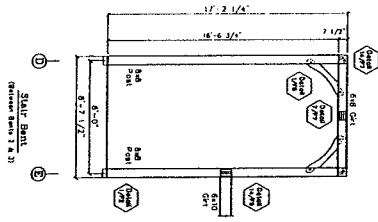
PROJECT: Isbitski Residence
 Salisbury, NH

DRAWN: [blank]
 CHECKED: [blank]

SHOP DRAWINGS
 2nd Fl Framing
 Roof Framing



ISSUES:	BY:
2/29/02	
4/12/02	
5/17/02	



DRAWN: CHICAGO
 DATE: 9/28/02
 SCALE: 1/4" = 1'-0"
 SHEET NO.:
 PROJECT:

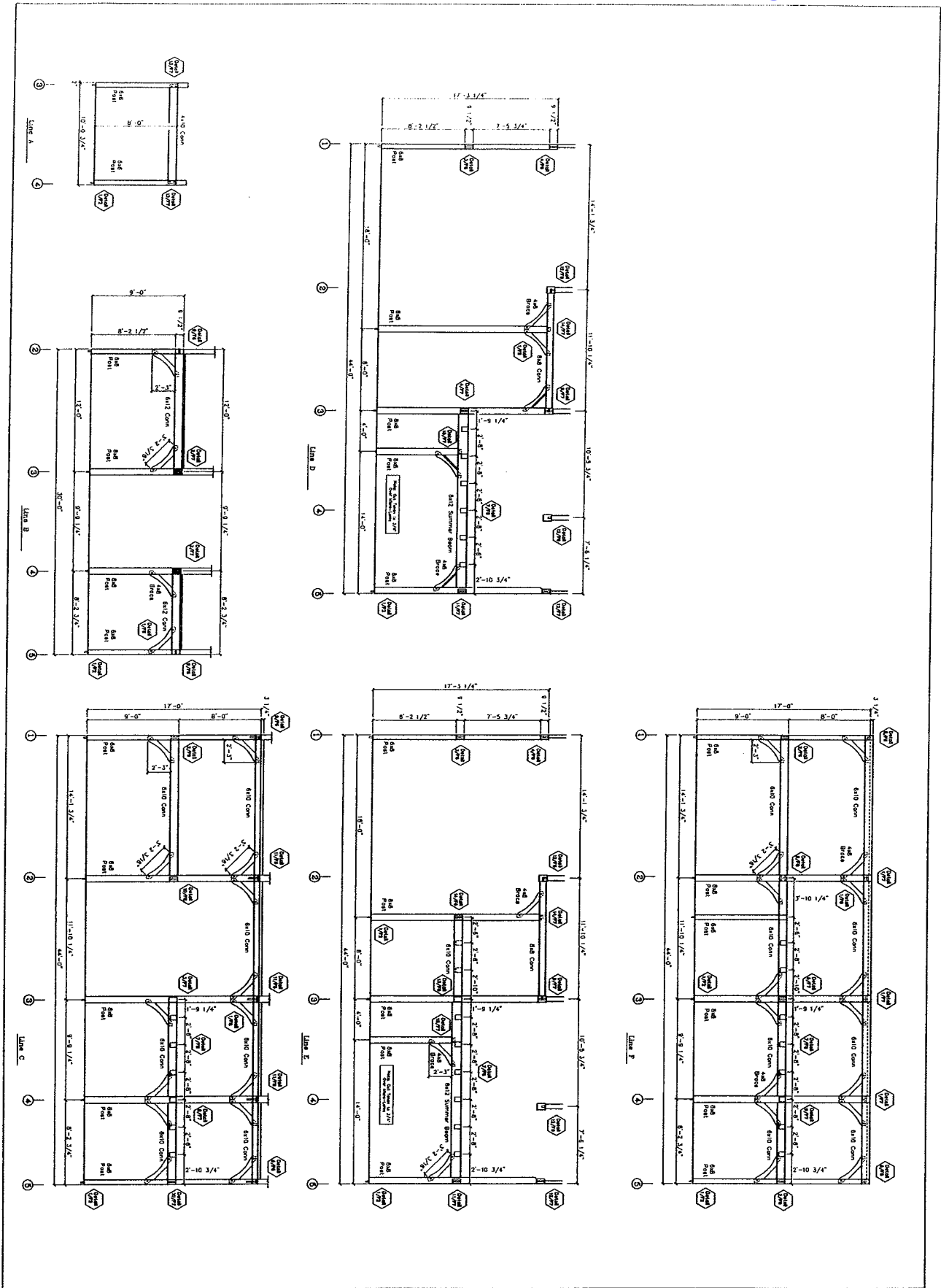
PROJECT: Isbitski Residence
Salisbury, NH

SHOP DRAWINGS
Bent Profiles

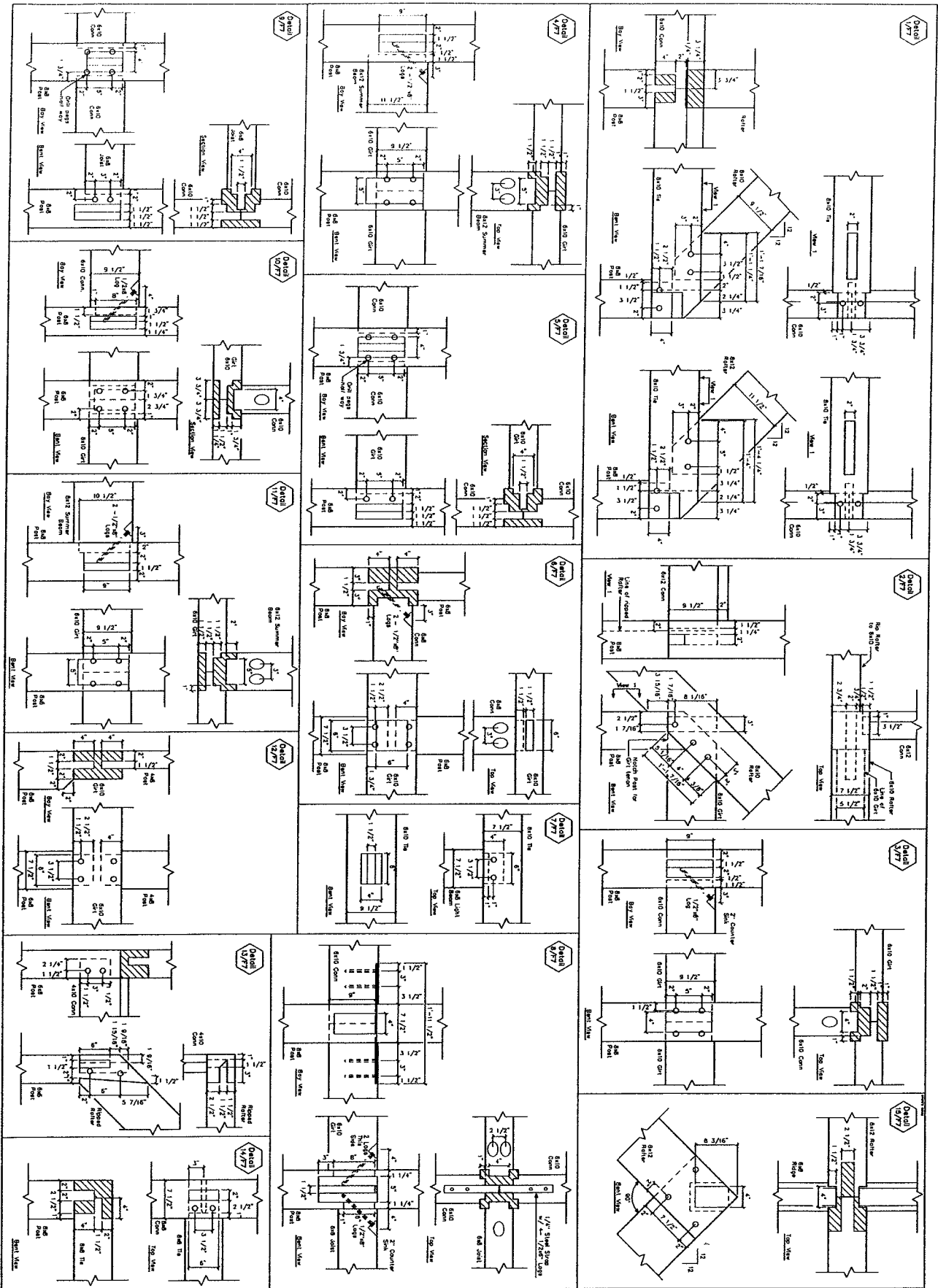


REVISIONS	BY
2/29/02	
4/12/02	
5/17/02	

F-4
SHEETS



DRAWN: D.P. DATE: 3/23/02 SCALE: 1/8"=1'-0" JOB NO.: SHEET:	PROJECT: Isbitski Residence Salisbury, NH	SHOP DRAWINGS Line Profiles	VERMONT TIMBER WORKS 255-595-8833	REVISIONS BY
				2/29/02 4/13/02 5/17/02



	DRAWN: _____ DATE: 4/8/02 SCALE: 3/8"=1'-0" SHEET NO.: _____ SHEET: _____	PROJECT: Isbitski Residence Salisbury, NH	SHOP DRAWINGS Details	VERMONT TIMBER WORKS 802-896-9887	REVISIONS 4/12/02 5/11/02
	SHEETS: _____				BY: _____