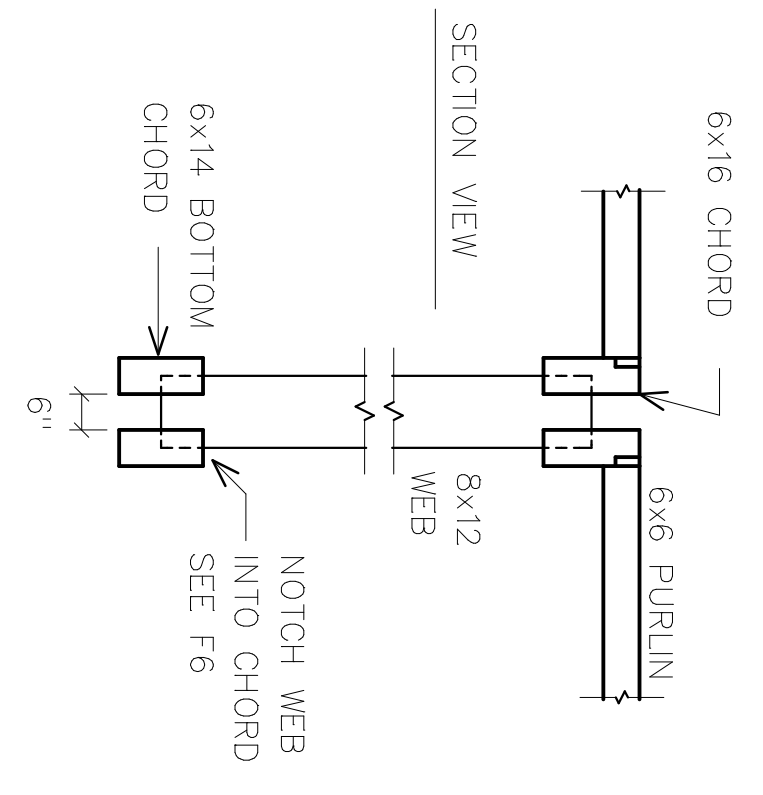
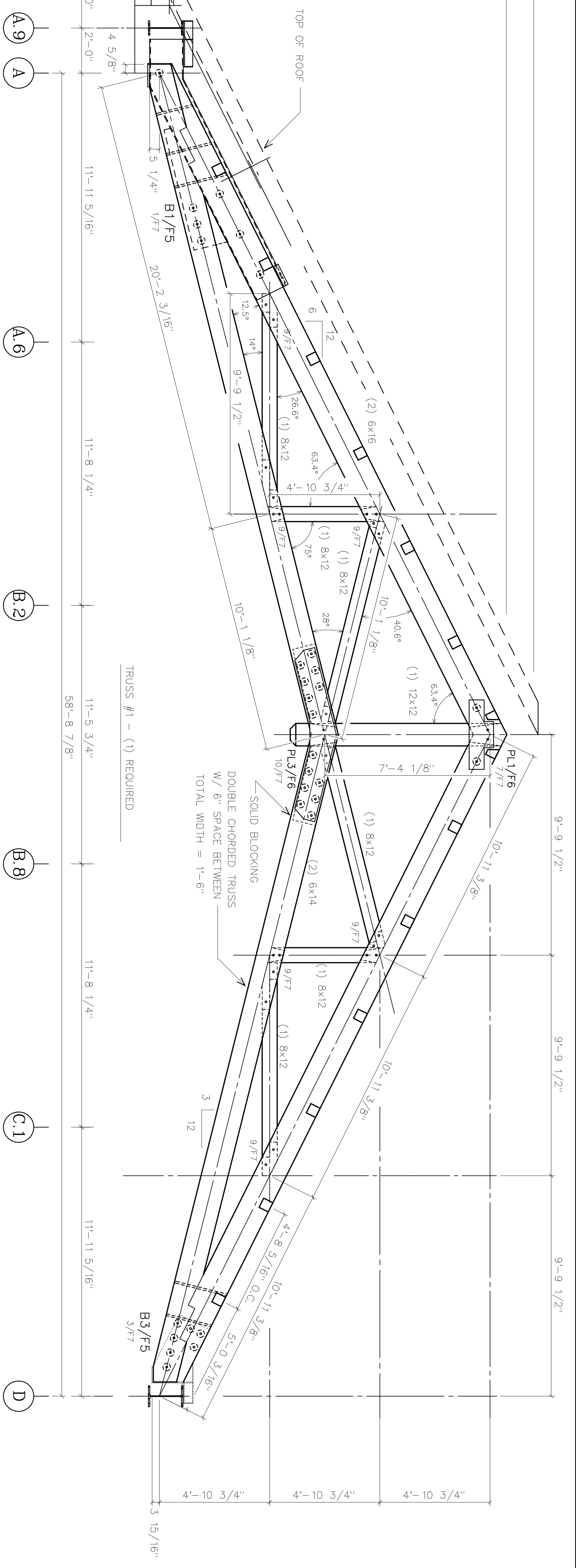


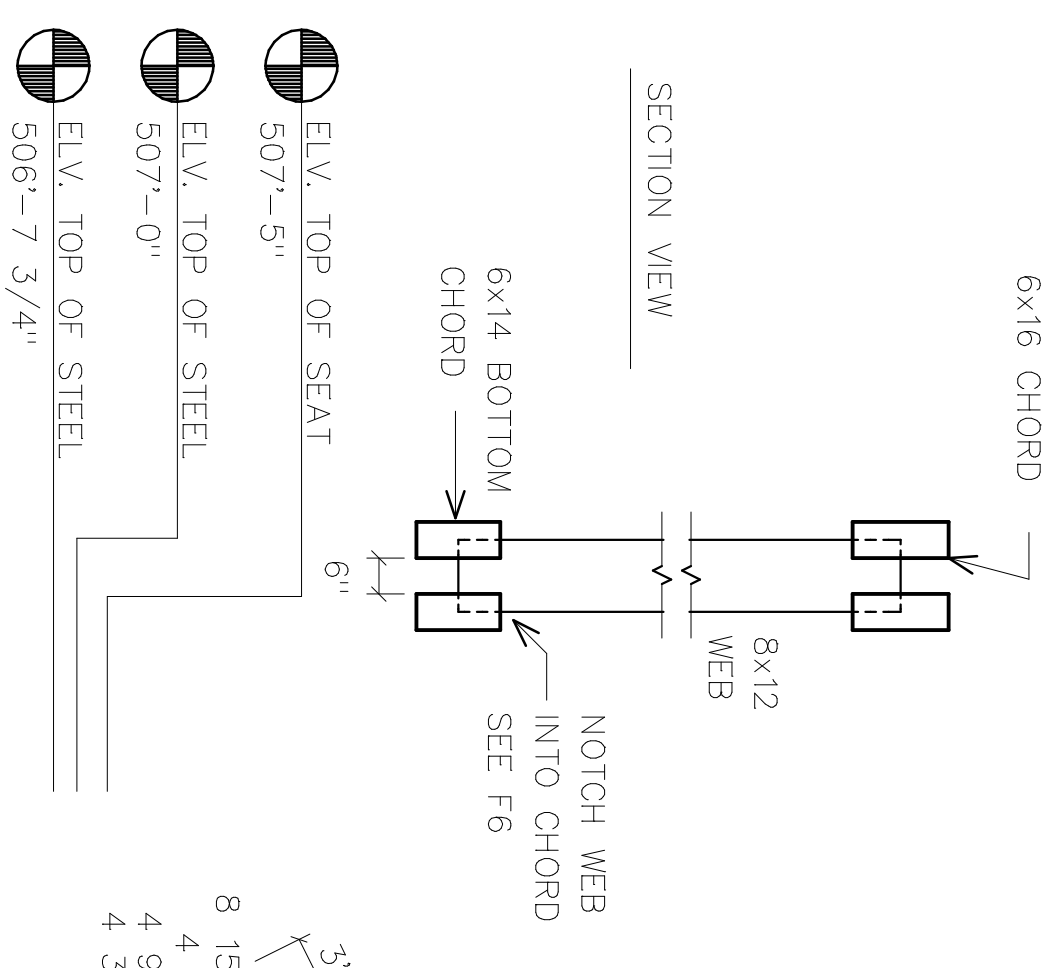
● ELEV. TOP OF PLYWOOD  
 522'-7" + 2"  
 ● ELEV. TOP OF TIMBER TRUSS  
 521'-4 3/8"



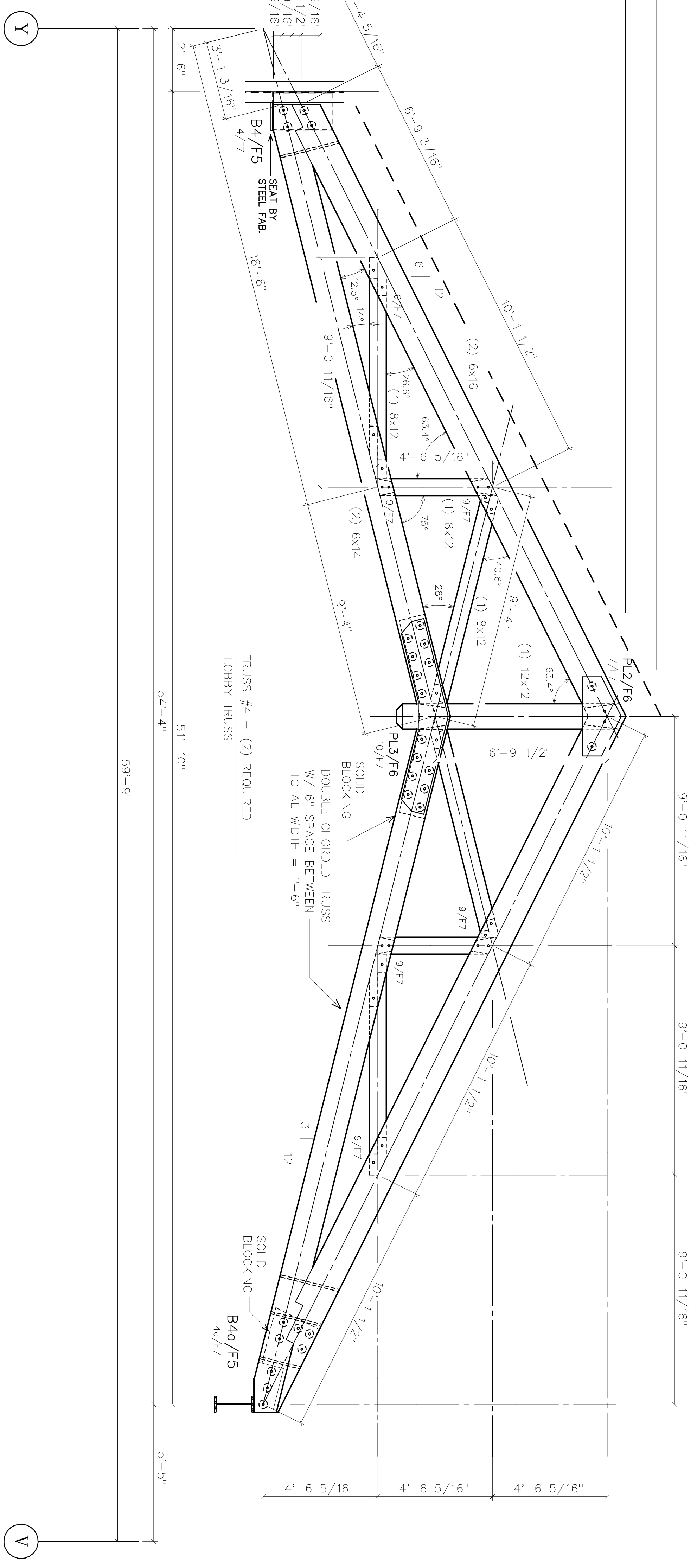
● ELEV. TOP OF STEEL  
 507'-0"  
 ● ELEV. TOP OF EAVE  
 506'-4 3/4"  
 TOP OF R.O.  
 8 11/16"



● ELEV. TOP OF PLYWOOD  
 522'-7" + 2"  
 ● ELEV. TOP OF TIMBER TRUSS  
 521'-4 3/8"



● ELEV. TOP OF SEAT  
 507'-5"  
 ● ELEV. TOP OF STEEL  
 507'-0"  
 ● ELEV. TOP OF STEEL  
 506'-7 3/4"



REVISIONS	BY
11/2/99	
12/10/99	



SHOP DRAWINGS  
 TRUSS LAYOUTS  
 1 & 4

PROJECT: CITIGROUP EXECUTIVE ANNEX  
 ARMONK, NEW YORK

DRAWN : D.P.  
 CHECKED :  
 DATE : 10/25/99  
 SCALE : 3/8"=1'-0"  
 JOB NO. :  
 SHEET

F-2  
 OF SHEETS