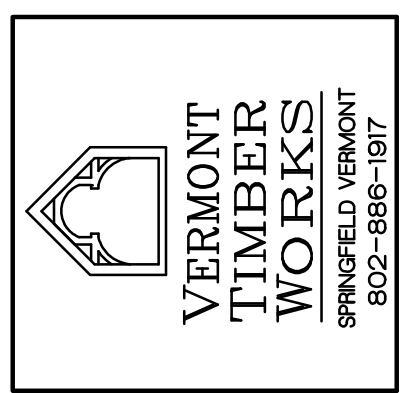


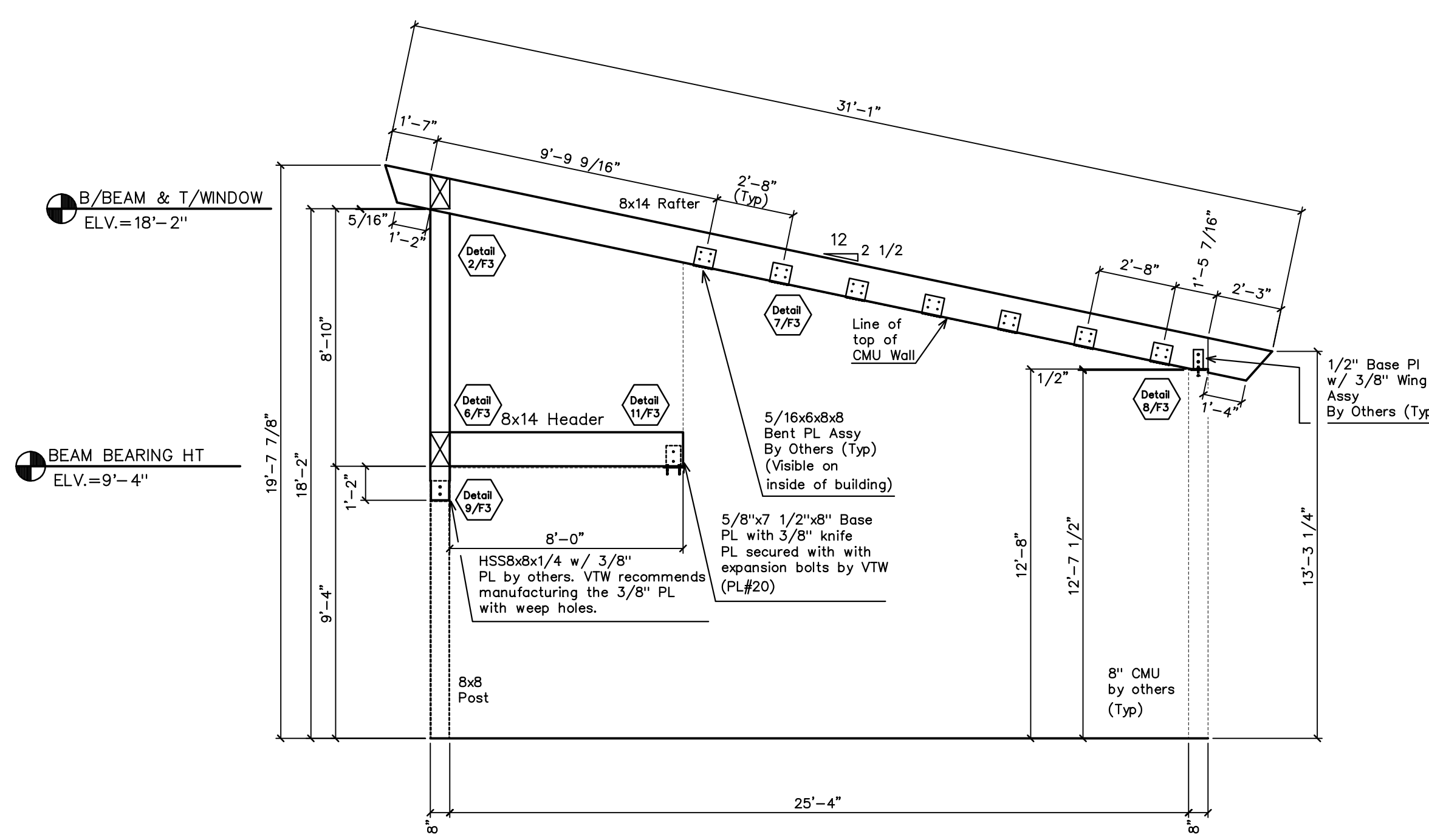
REVISIONS	BY
2/20/06	PJZ
2/28/06	PJZ
3/20/06	PJZ
3/28/06	PJZ
4/10/06	PJZ



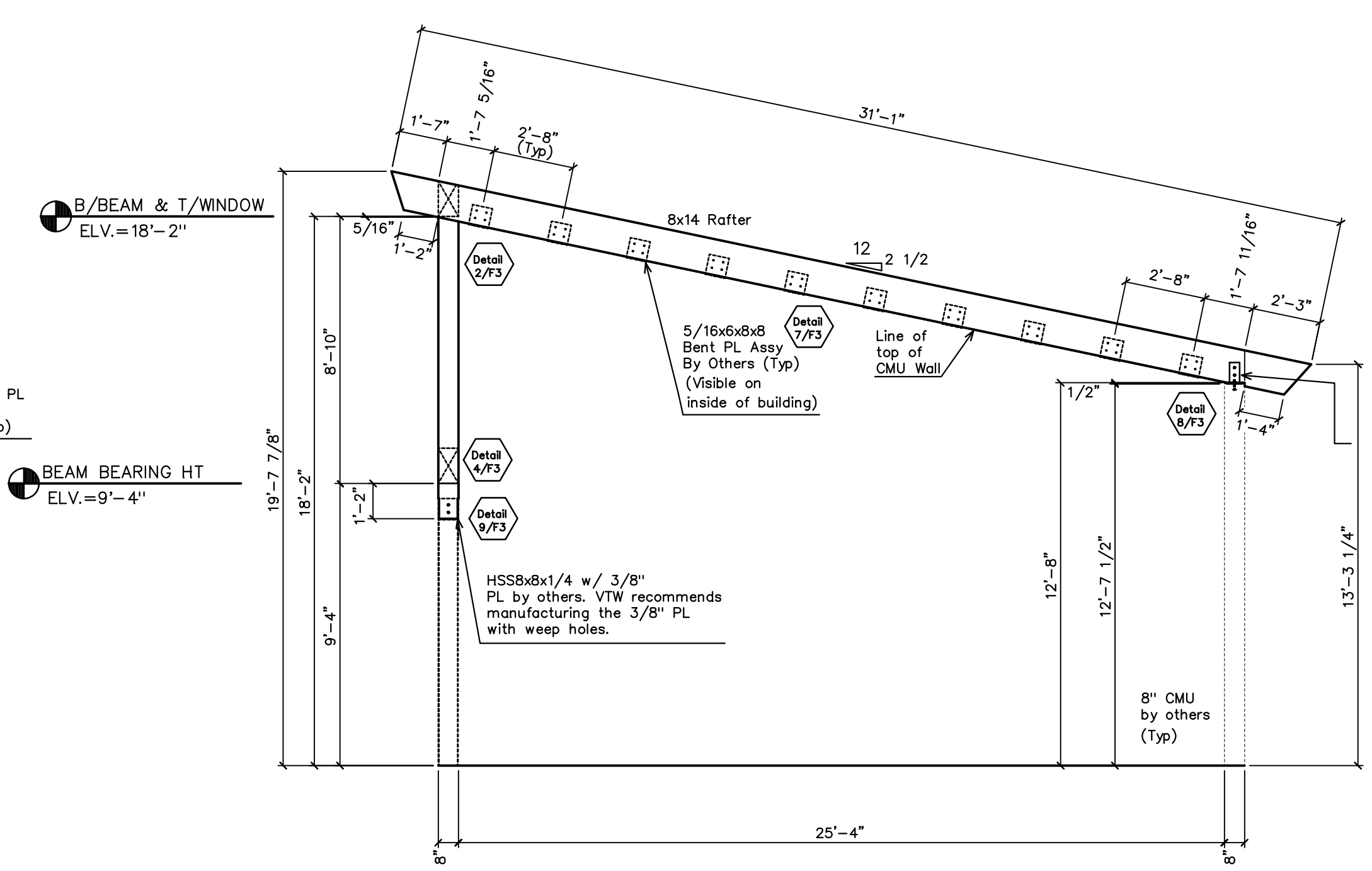
SHOP DRAWINGS
Elevations
Perspectives

ISSUED FOR:
Prelim. for
Material
Order

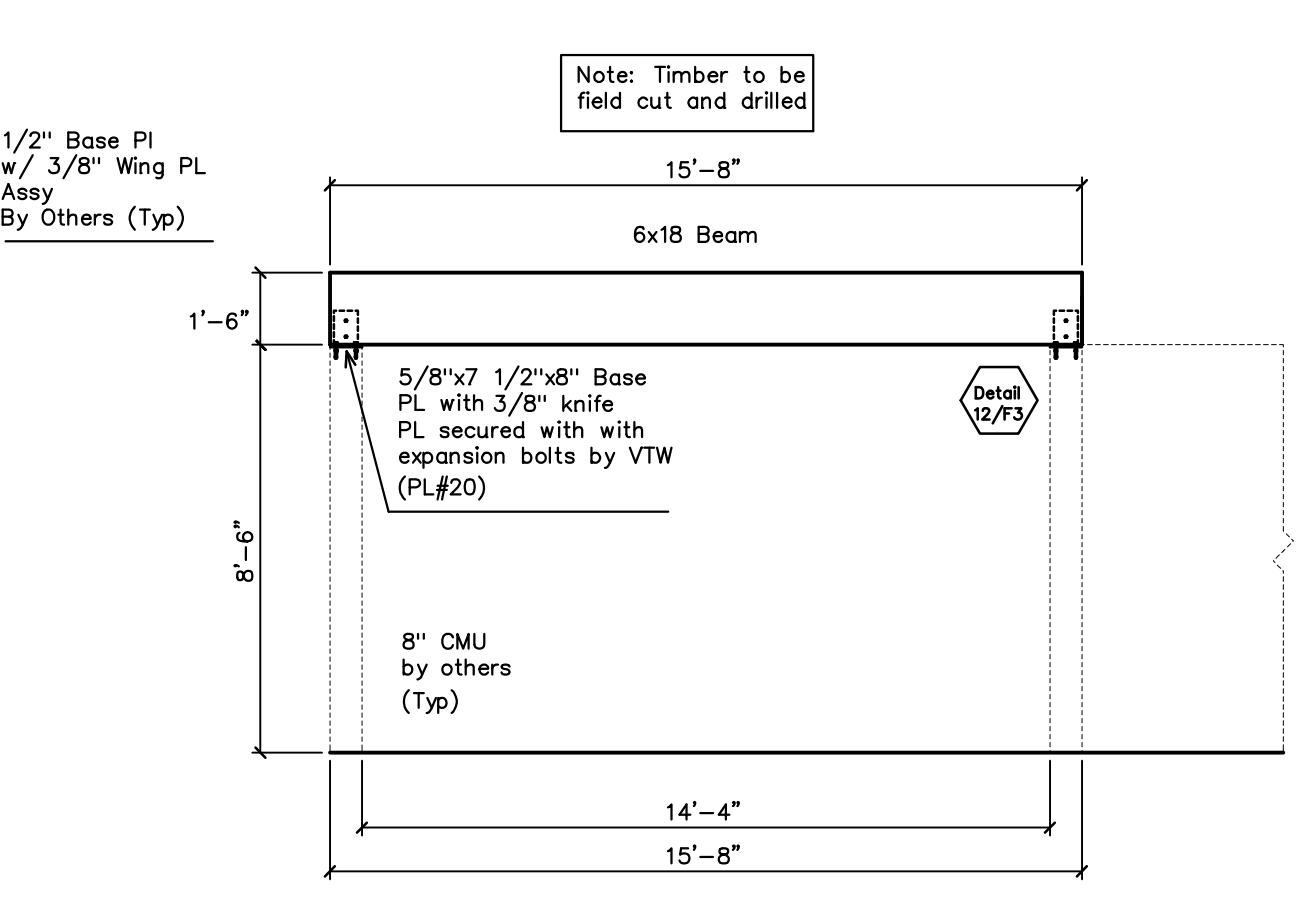
PROJECT:
Citizen's Park
Barrington, IL
Warming Shelter



Lines GA



Lines GD



6x18 Beam Profile

DRAWN :	CHECKED :
PJZ	
DATE :	1/10/06
SCALE :	1/4"=1'-0"
JOB NO. :	
SHEET	
F-2	
OF	SHEETS