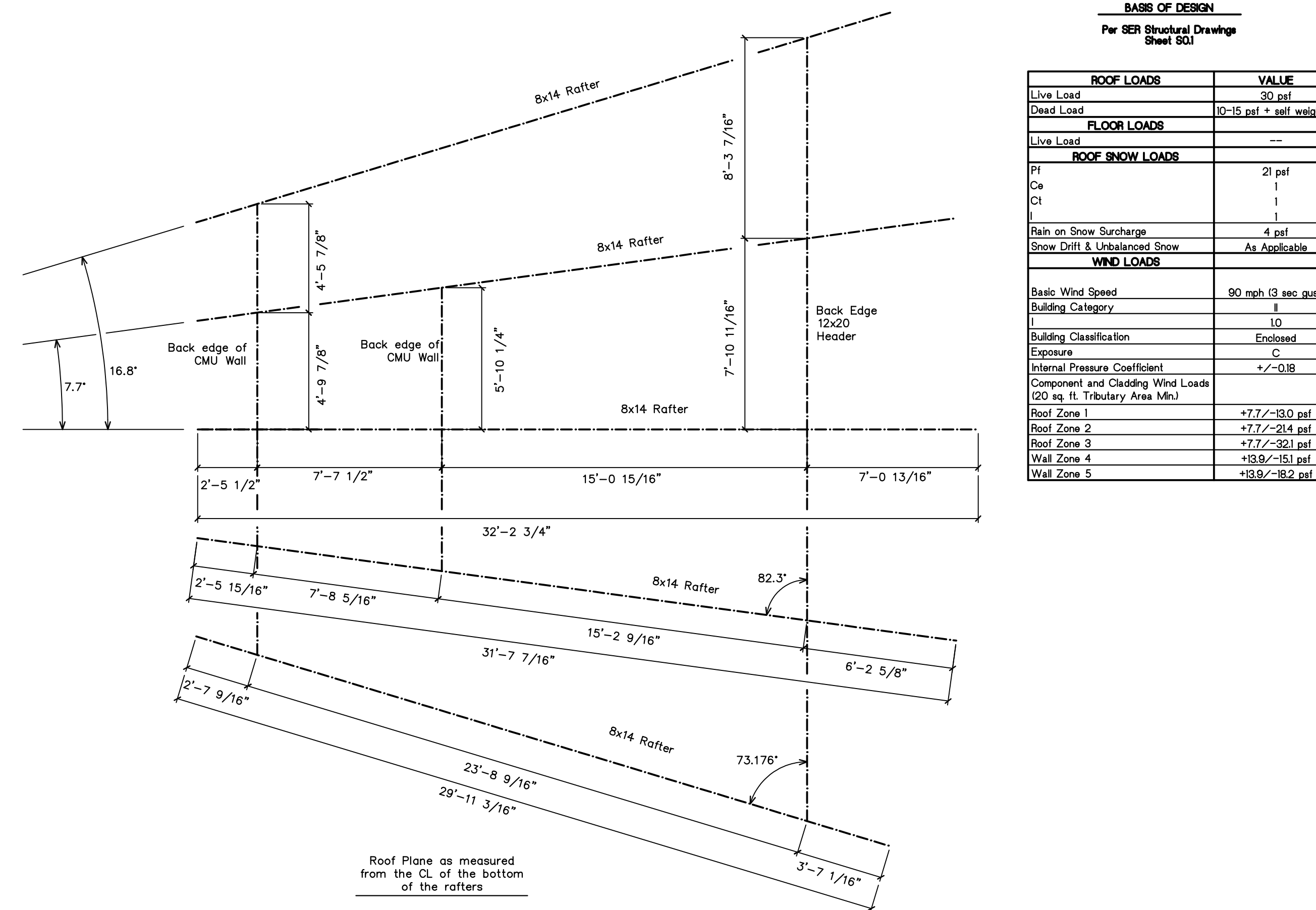
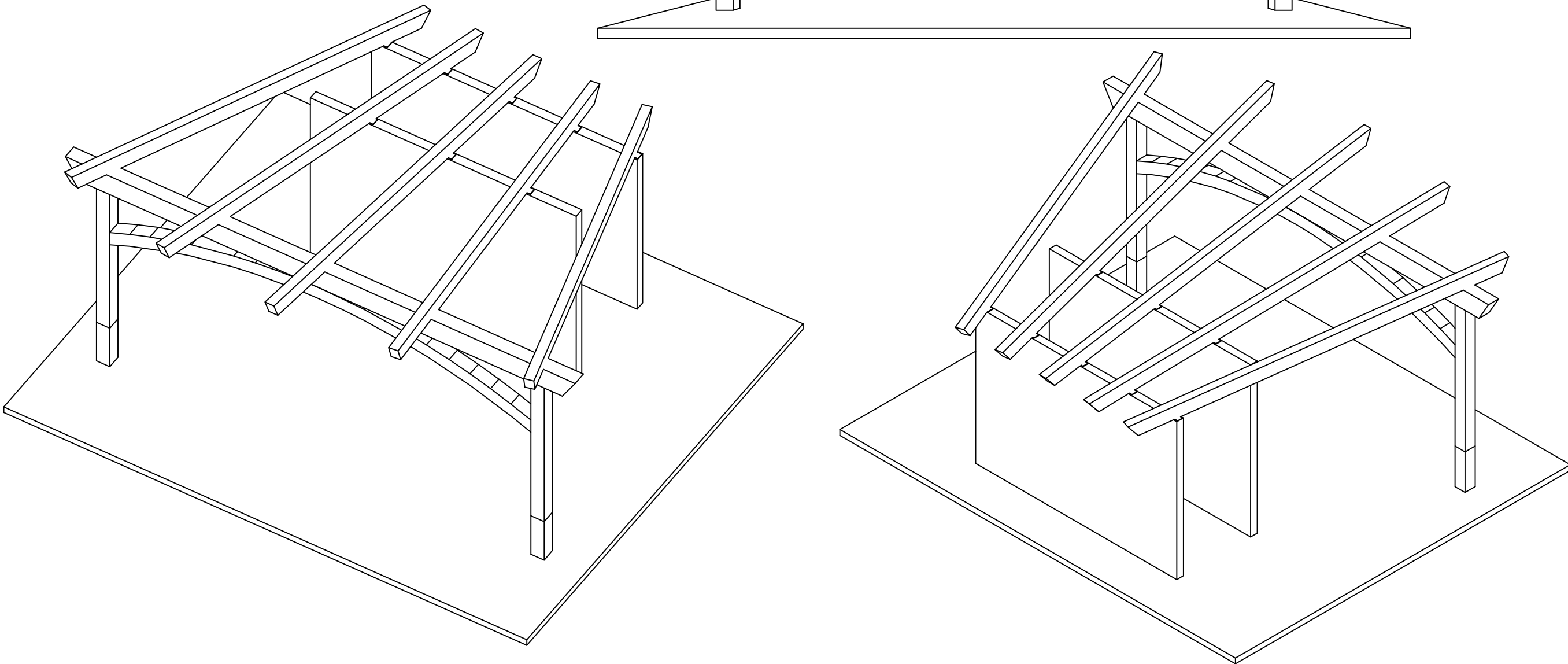


General Notes:

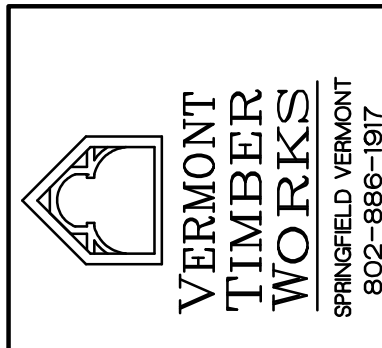
- Timbers to be Douglas Fir #1 & Full Sawn S4S
- Pegs to be 1" birch.
- All edges to have 1/2" chamfer
- One coat of stain, oil or urethane to be shop applied on all sides.
- All Bolts to be galvanized Grade A307.
- All Steel to be A36 and to be galvanized.



BASES OF DESIGN
Per SER Structural Drawings Sheet S01

ROOF LOADS	VALUE
Live Load	30 psf
Dead Load	10-15 psf + self weight
FLOOR LOADS	
Live Load	---
ROOF SNOW LOADS	
Ps	21 psf
Ce	1
Ct	1
Rain on Snow Surcharge	4 psf
Snow Drift & Unbalanced Snow	As Applicable
WIND LOADS	
Basic Wind Speed	90 mph (3 sec gust)
Building Category	I
Building Classification	Enclosed
Exposure	C
Internal Pressure Coefficient	+/- 0.18
Component and Cladding Wind Loads (20 sq ft Tributary Area Min.)	
Roof Zone 1	+7.7/-13.0 psf
Roof Zone 2	+7.7/-2.4 psf
Roof Zone 3	+7.7/-32.1 psf
Wall Zone 4	+13.9/-15.1 psf
Wall Zone 5	+13.9/-18.2 psf

REVISIONS	BY
2/22/06	PJZ
4/10/06	PJZ



SHOP DRAWINGS
Post Layout
Framing Plan
Perspective

ISSUED FOR:
Fabrication

PROJECT: Citizen's Park
Barrington, IL
Amptitheater

DRAWN : PJZ	CHECKED :
DATE : 1/10/06	
SCALE : 1/4"=1'-0"	
JOB NO. :	
SHEET	
F-1	
OF	SHEETS

