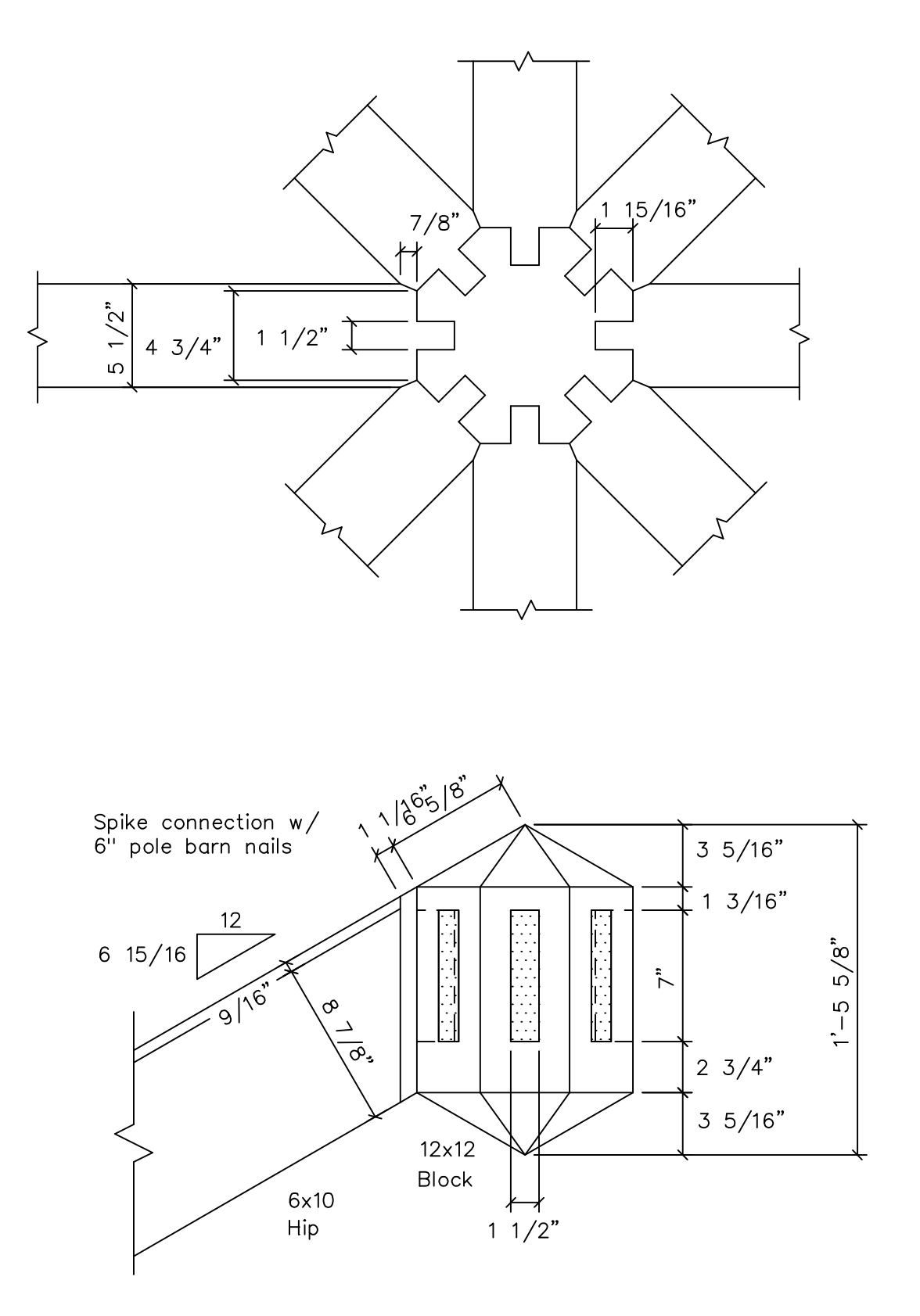
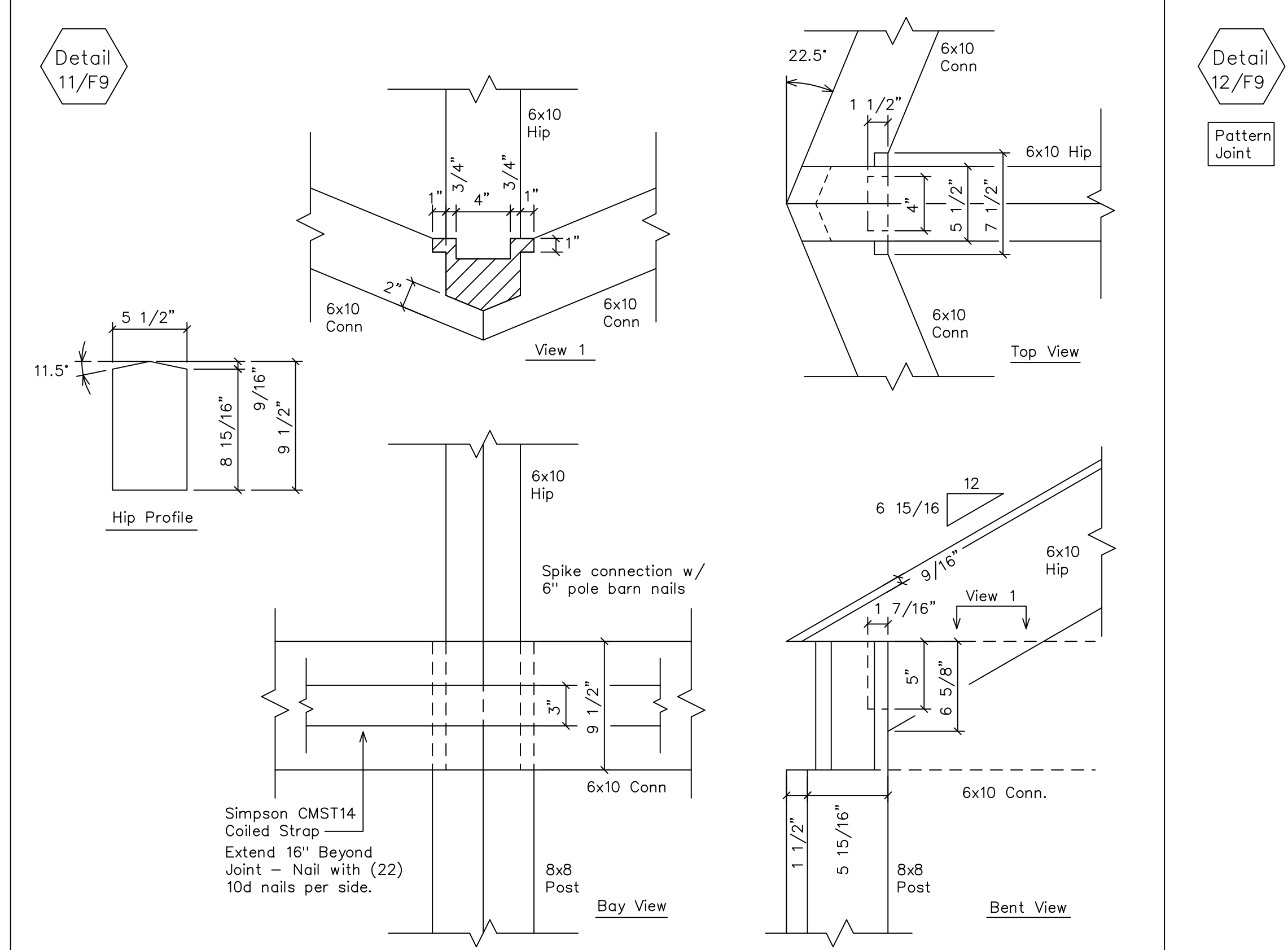
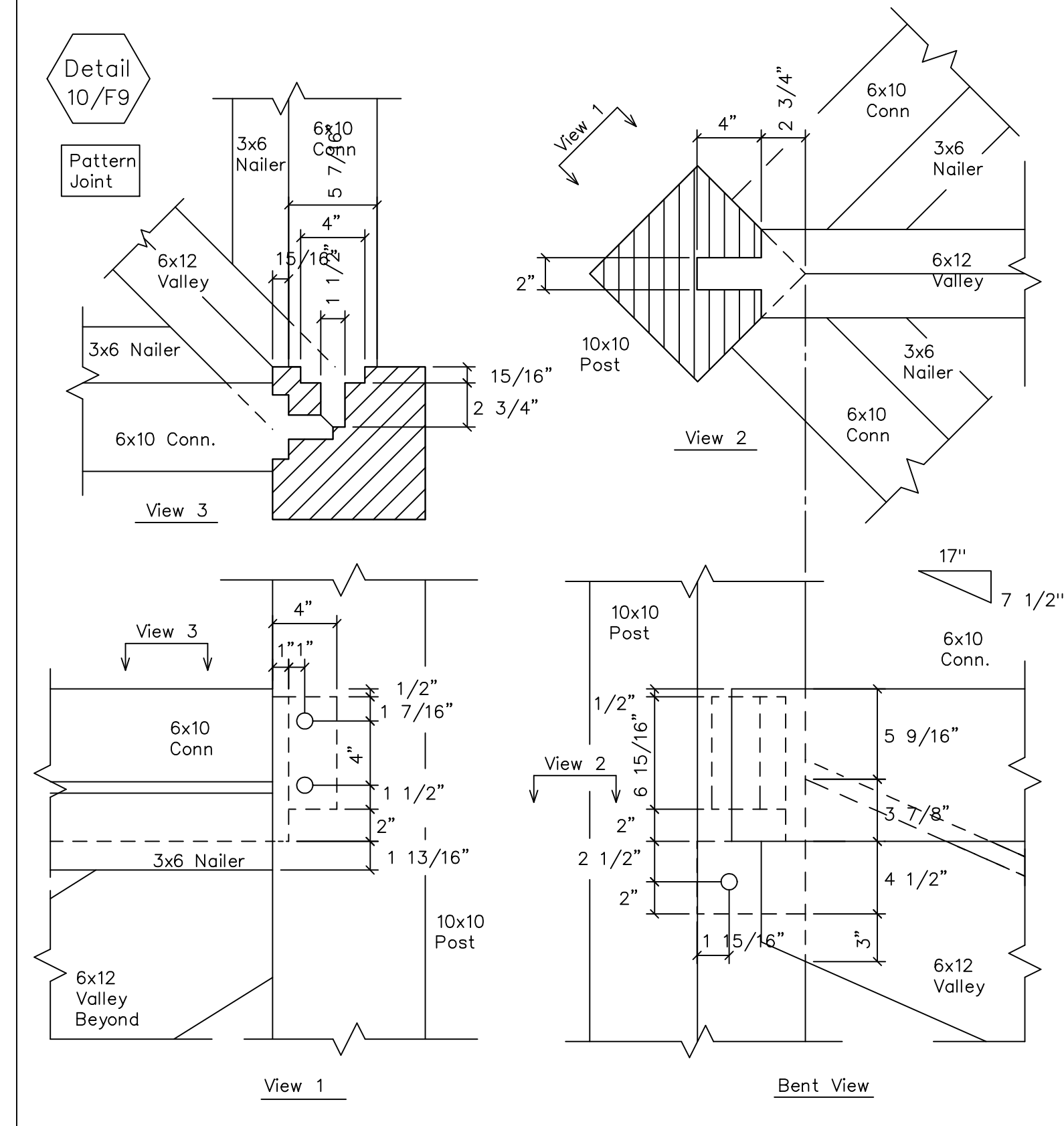
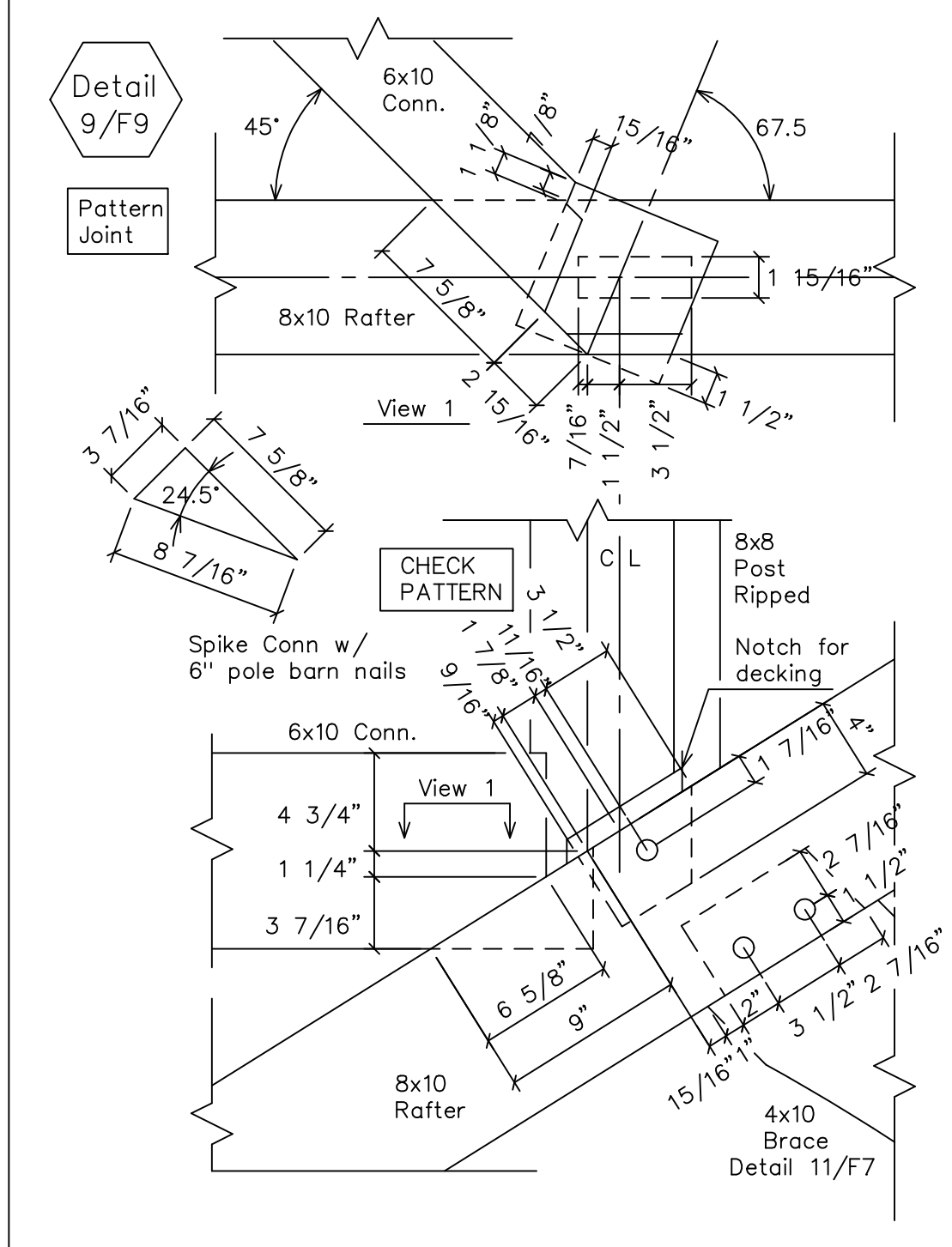
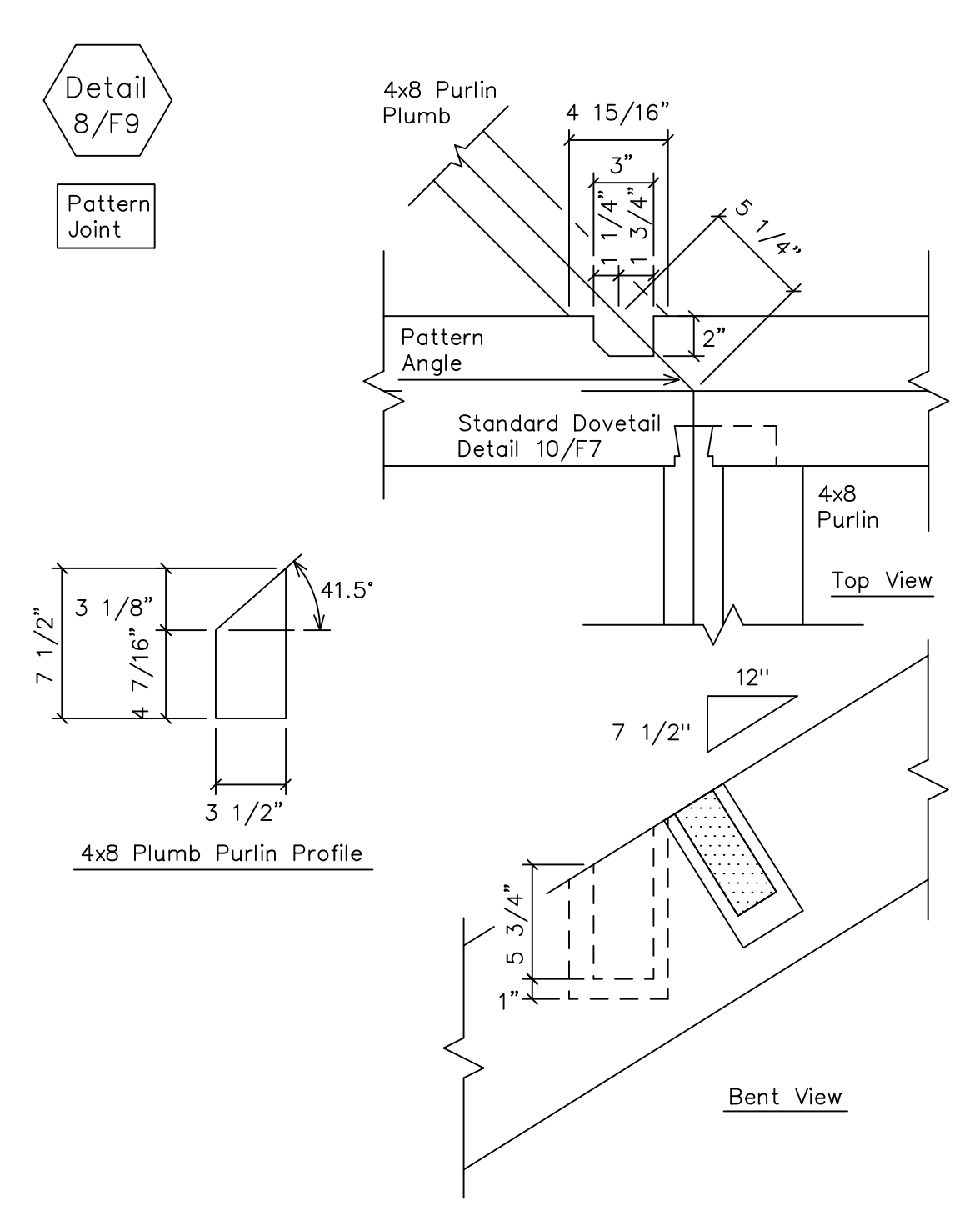
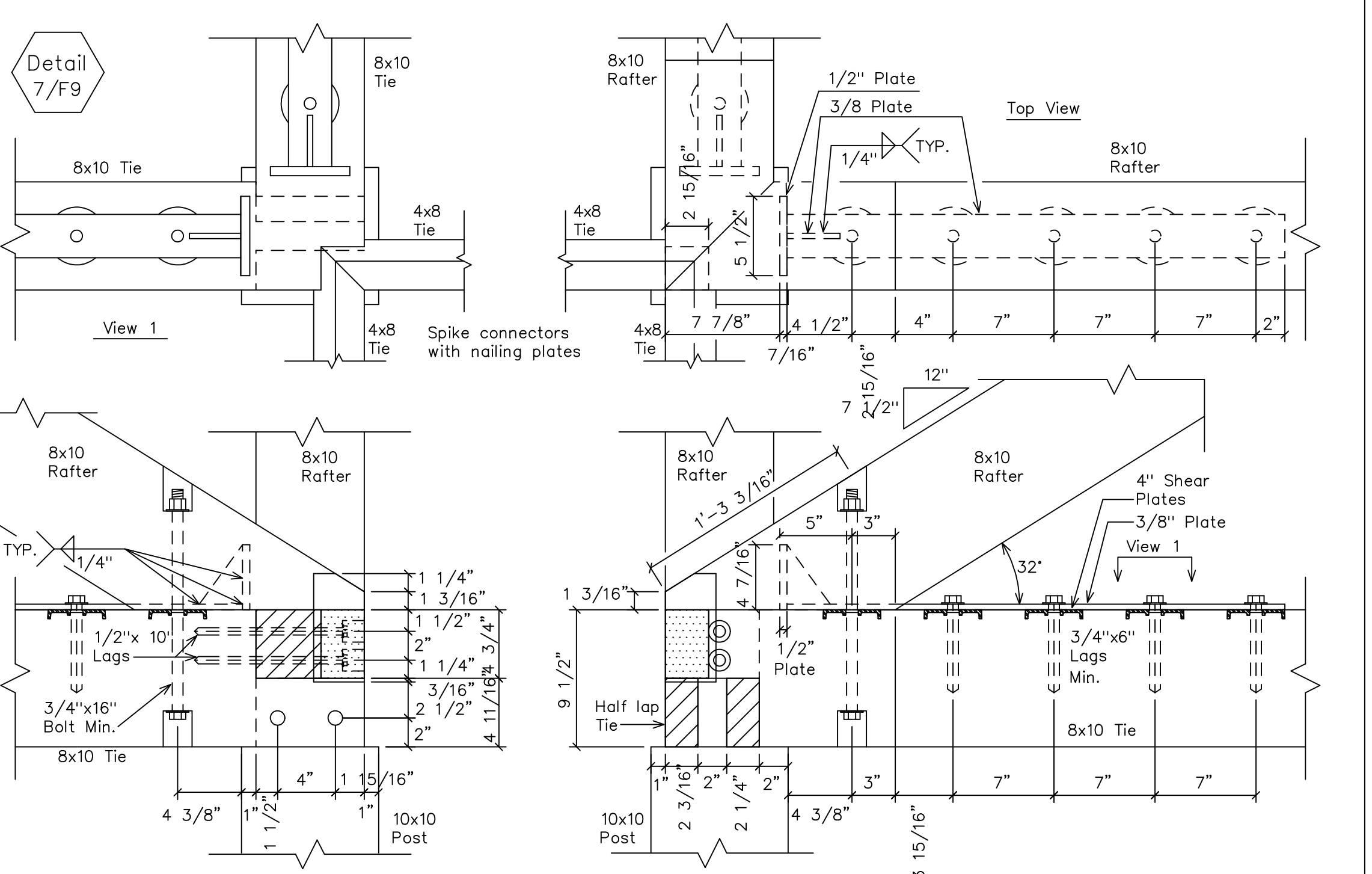
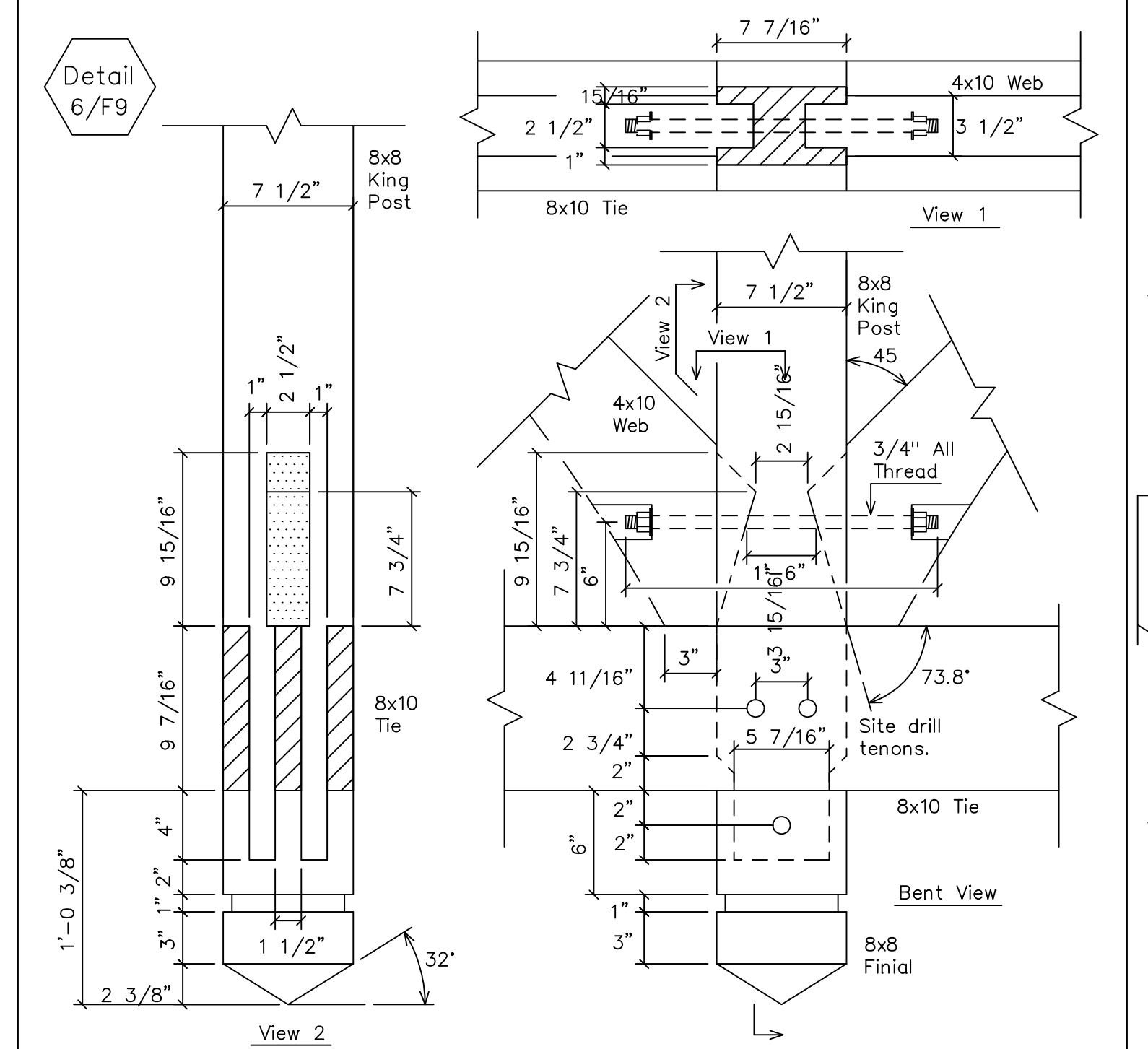


REVISIONS	BY
1/14/03	

**SHOP DRAWINGS**  
Joint Details

Engineering Ventures  
208 Flynn Avenue  
Burlington, VT 05401  
802-863-6225  
802-863-6306 Fax

**PROJECT:**  
The Bethlehem Monastery  
of Poor Clares  
Timber Frame  
Barhamsville, VA



**General Notes:**  
Timbers to be Douglas Fir #1 & Better S4S  
Pegs to be 1" birch.  
All edges to have 1/2" chamfer  
One coat of urethane to be shop applied on all sides.  
All Bolts to be zinc coated.  
All Steel to be shop primed flat black.

DRAWN :	CHECKED :
D.F.	
DATE :	1/8/03
SCALE :	1 1/2" = 1'-0"
JOB NO. :	
SHEET	
F-9	
OF	SHEETS