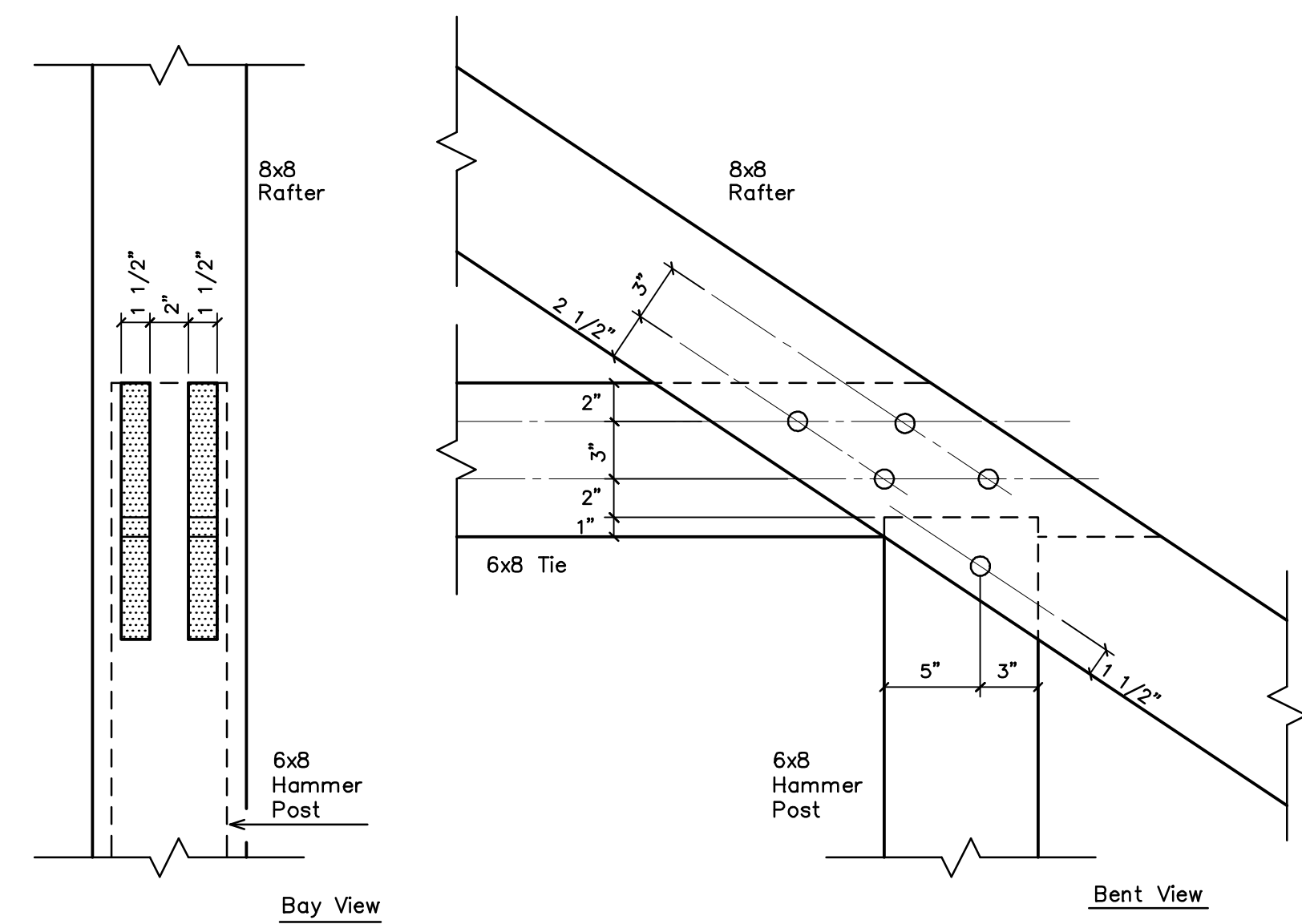
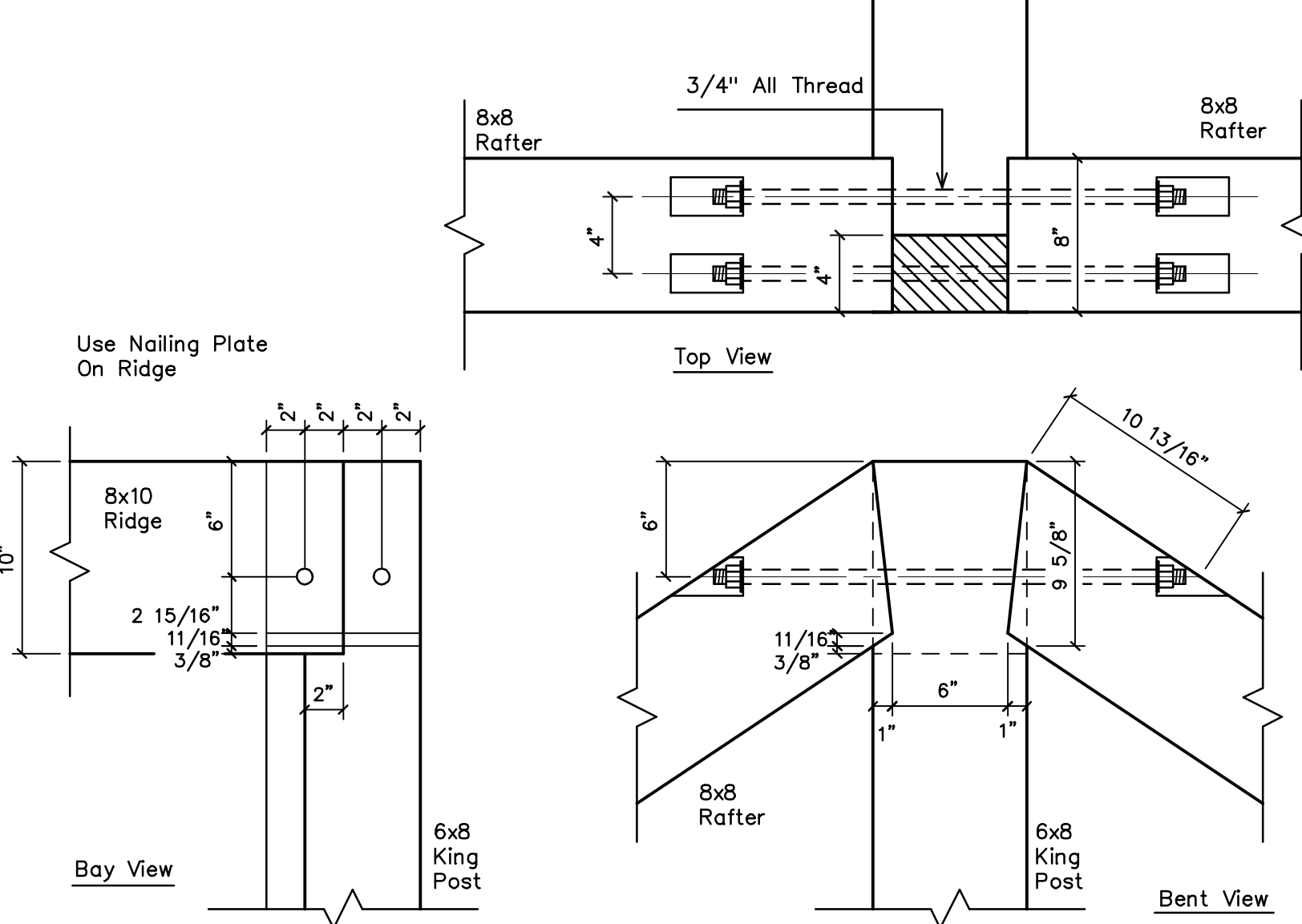


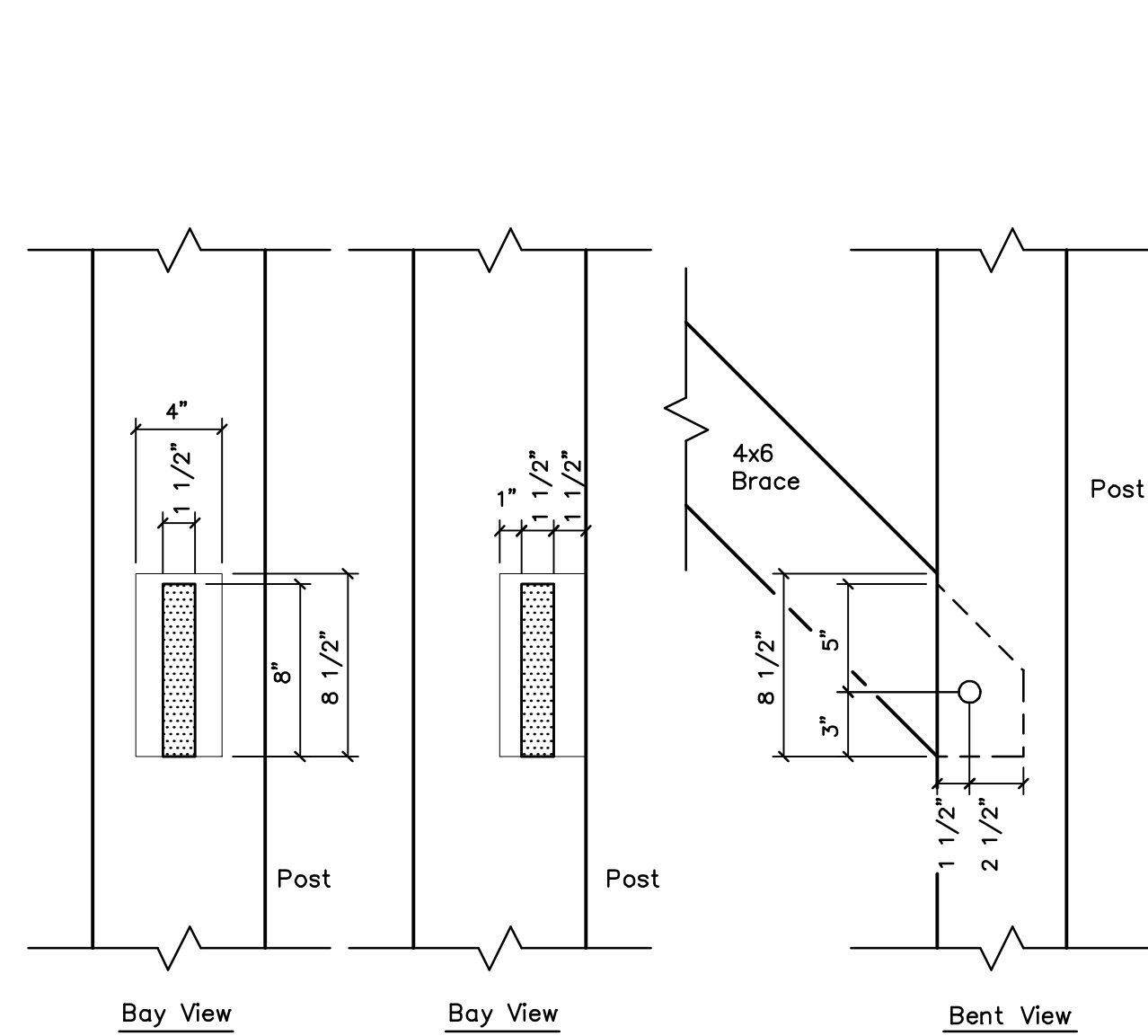
Detail 1/F5



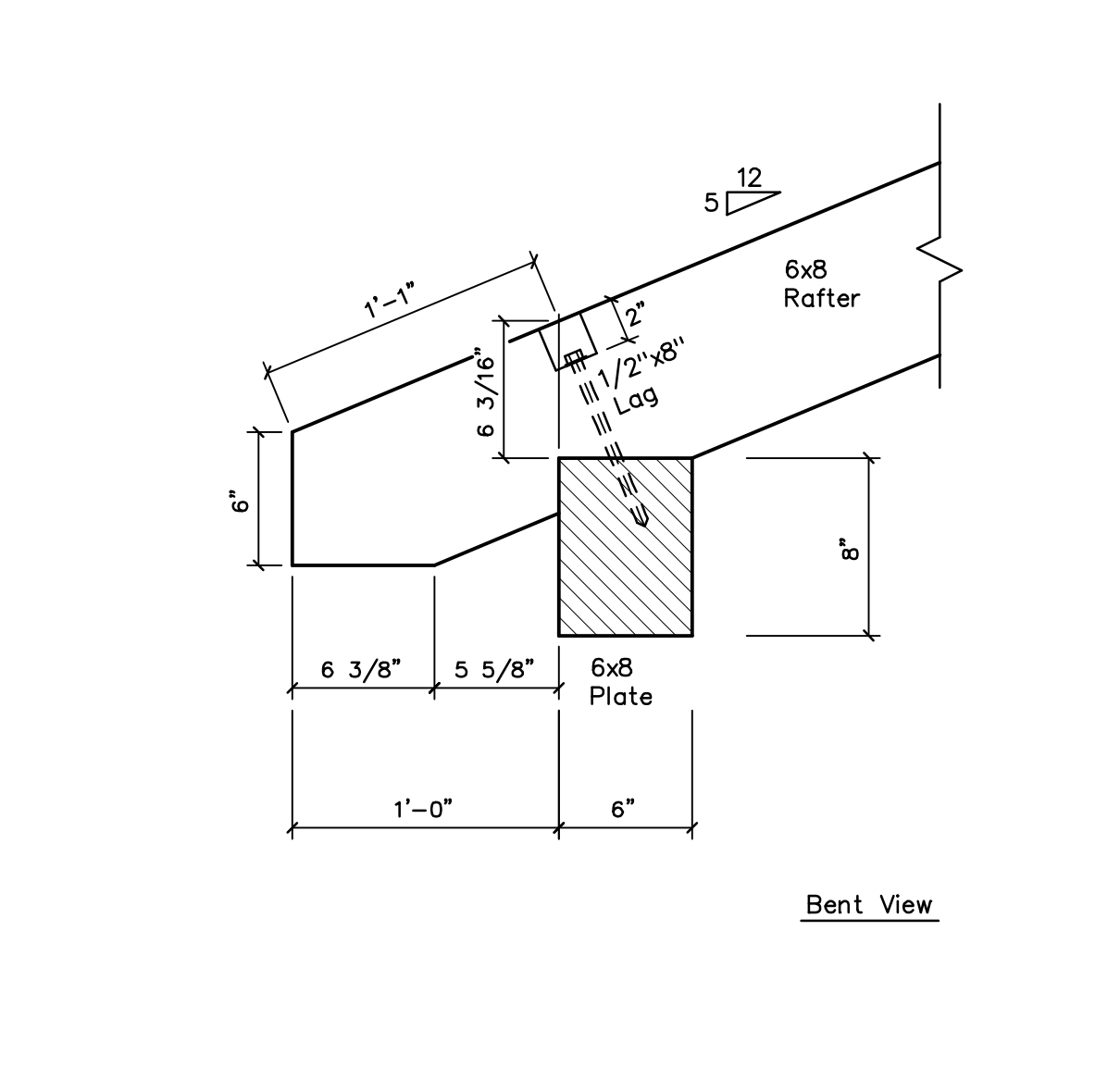
Detail 2/F5



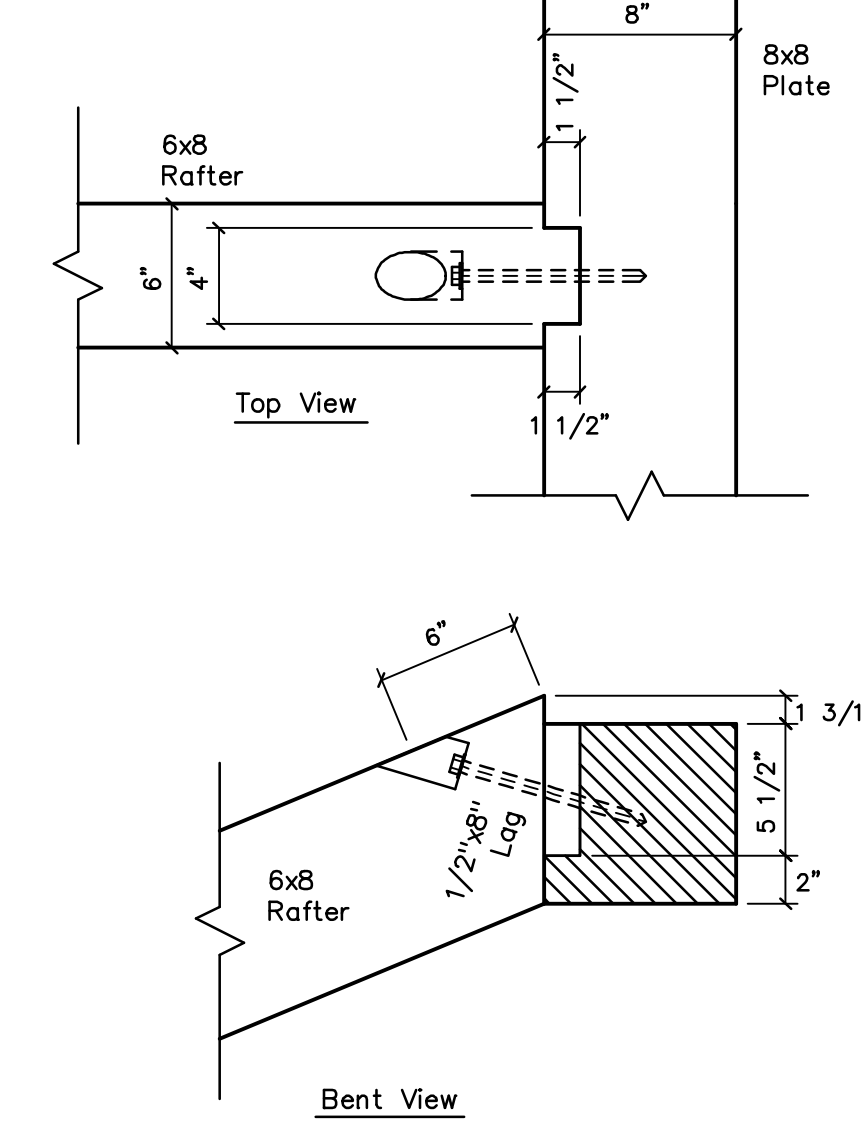
Detail 3/F5



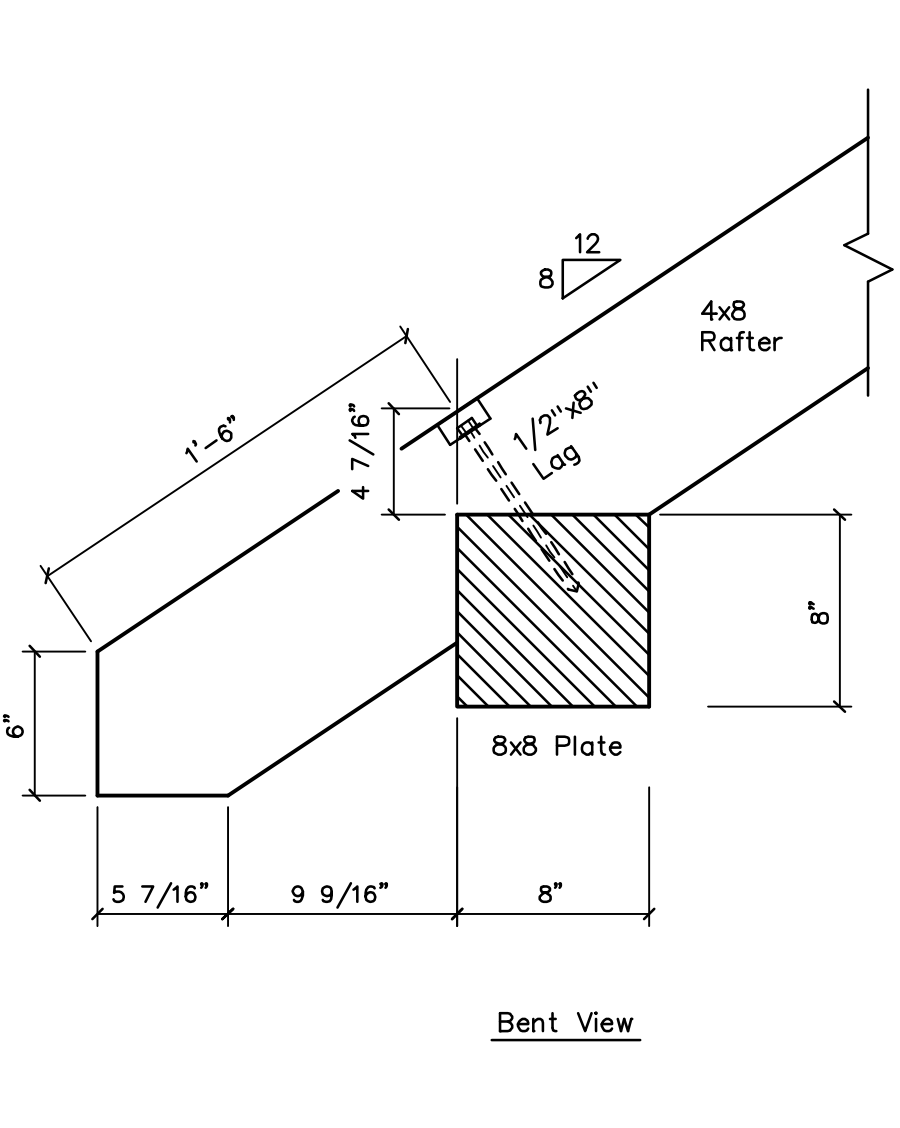
Detail 4/F5



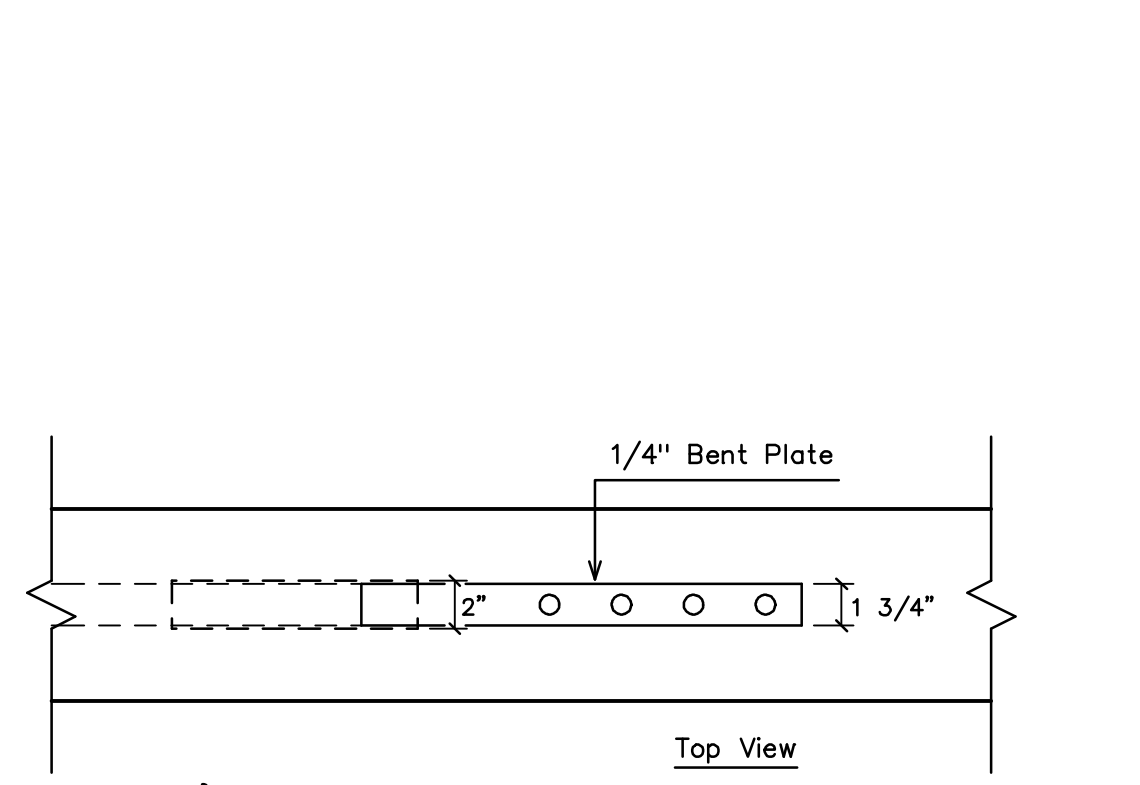
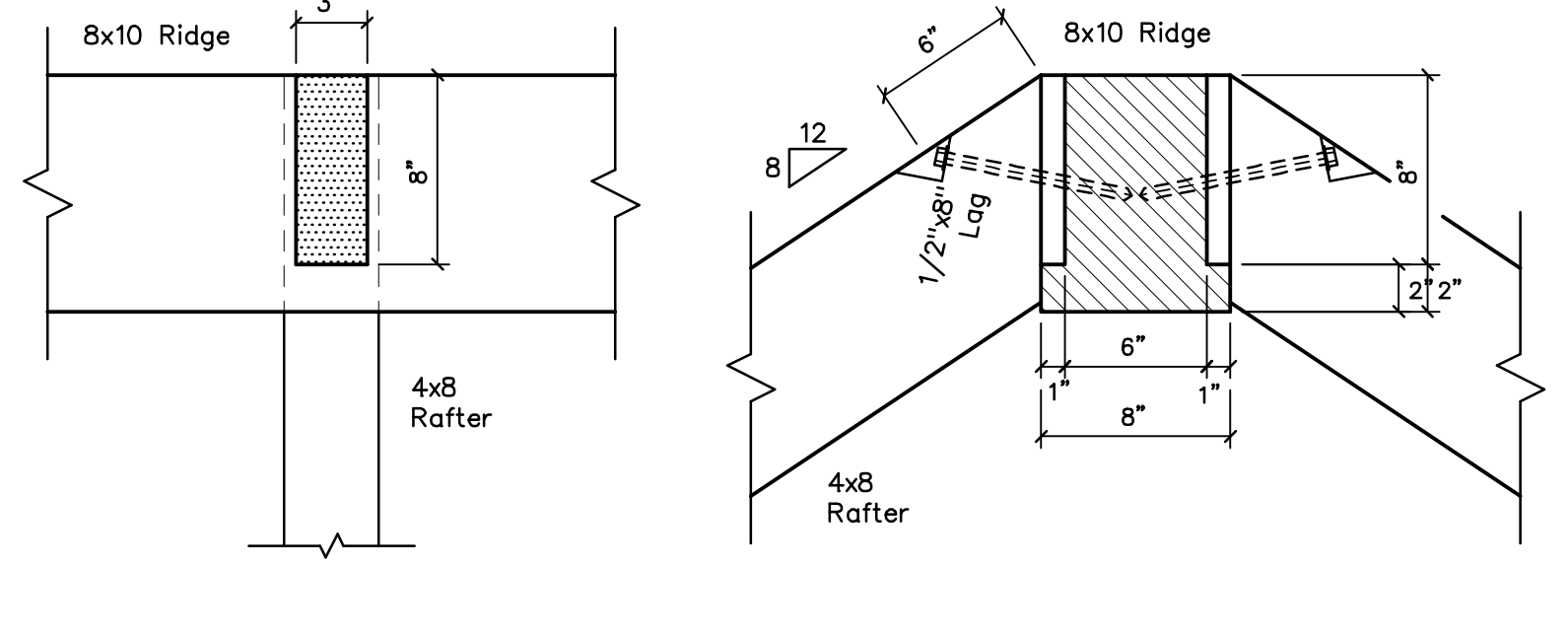
Detail 5/F5



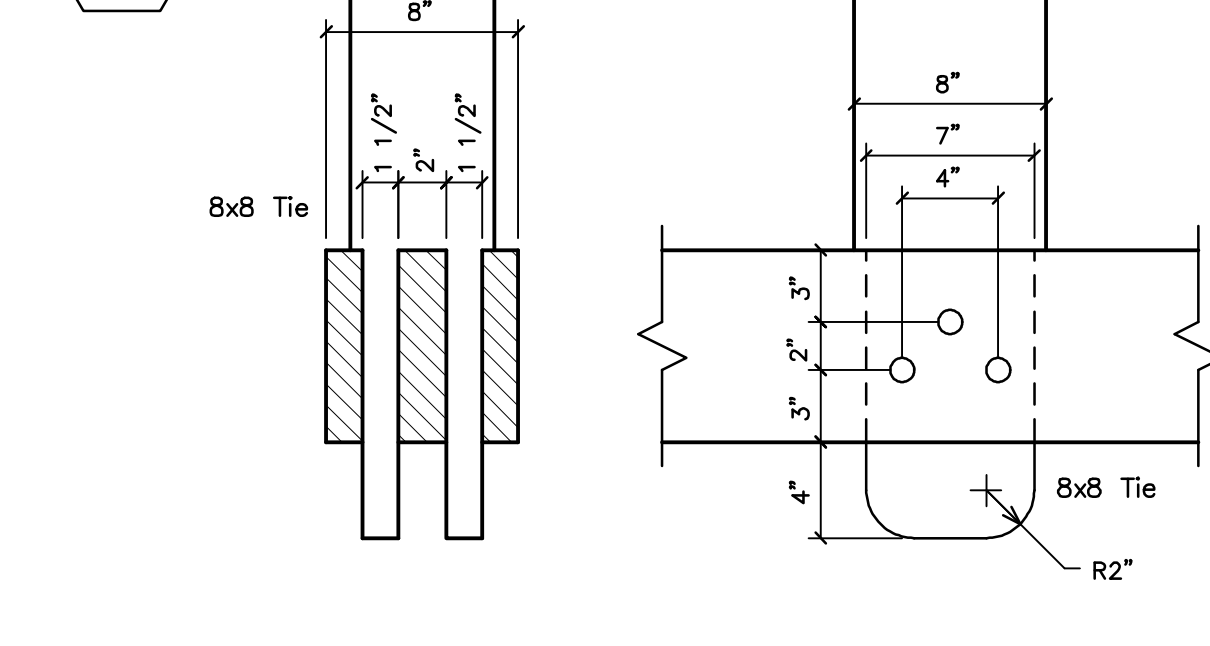
Detail 6/F5



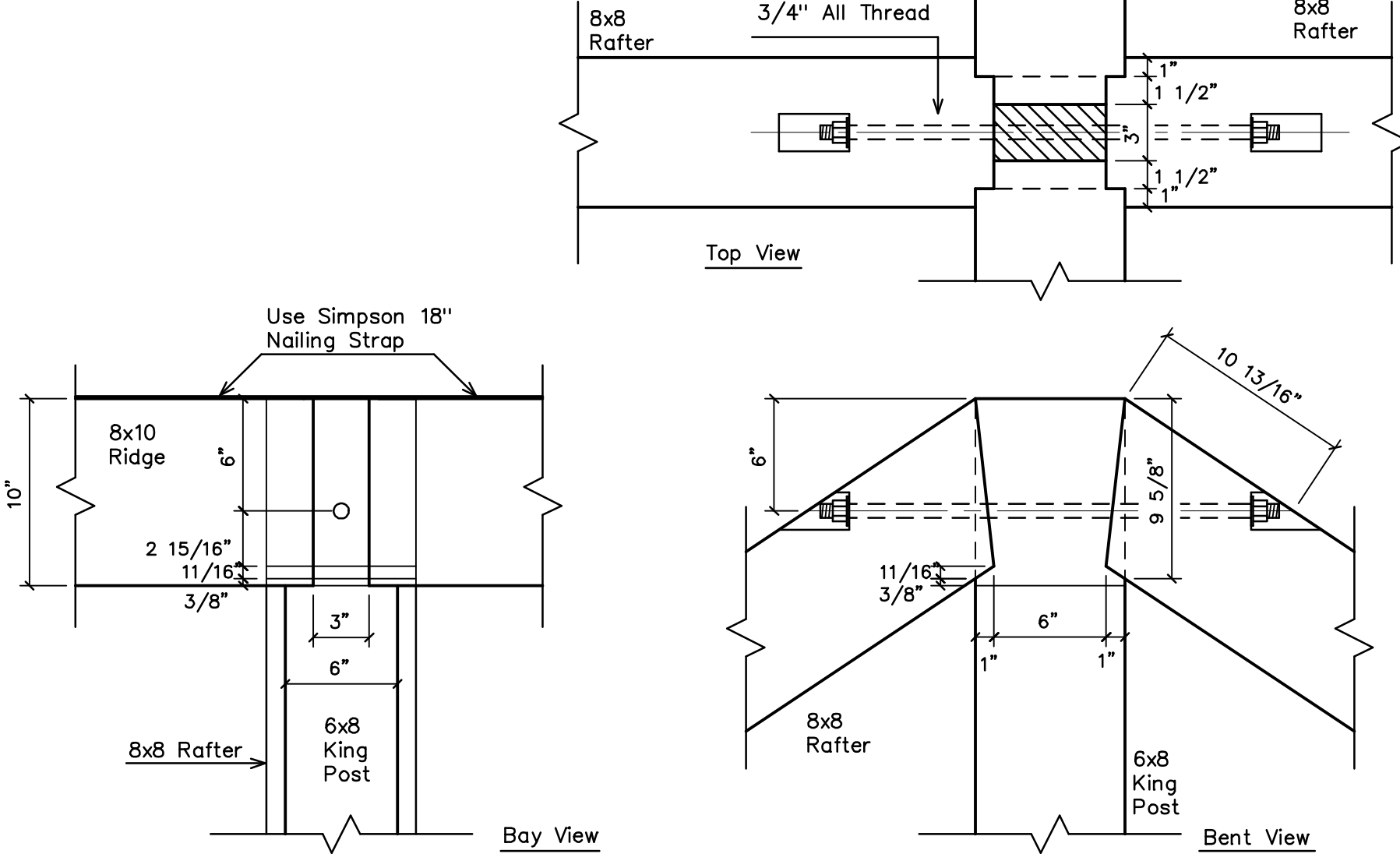
Detail 7/F5



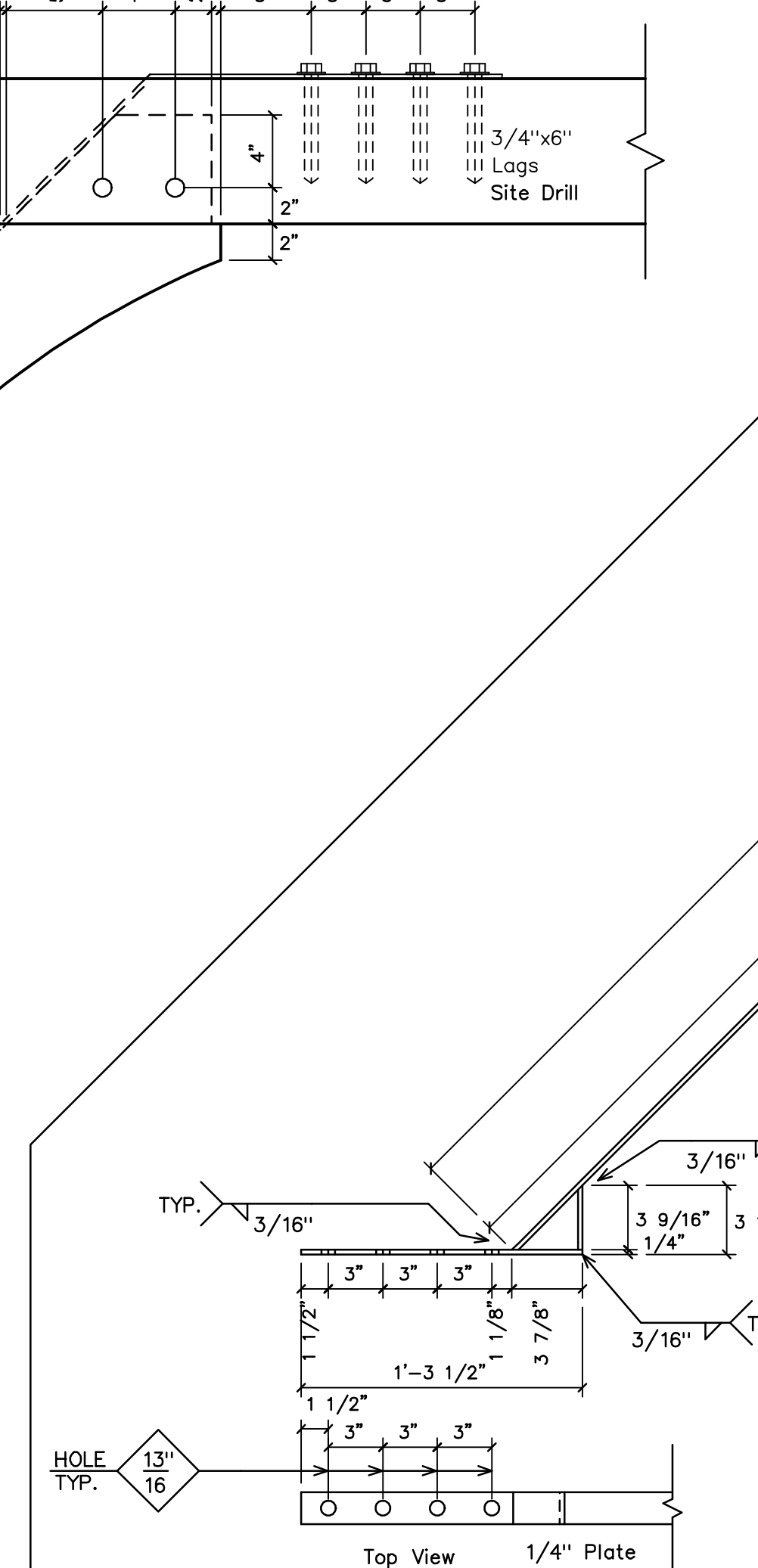
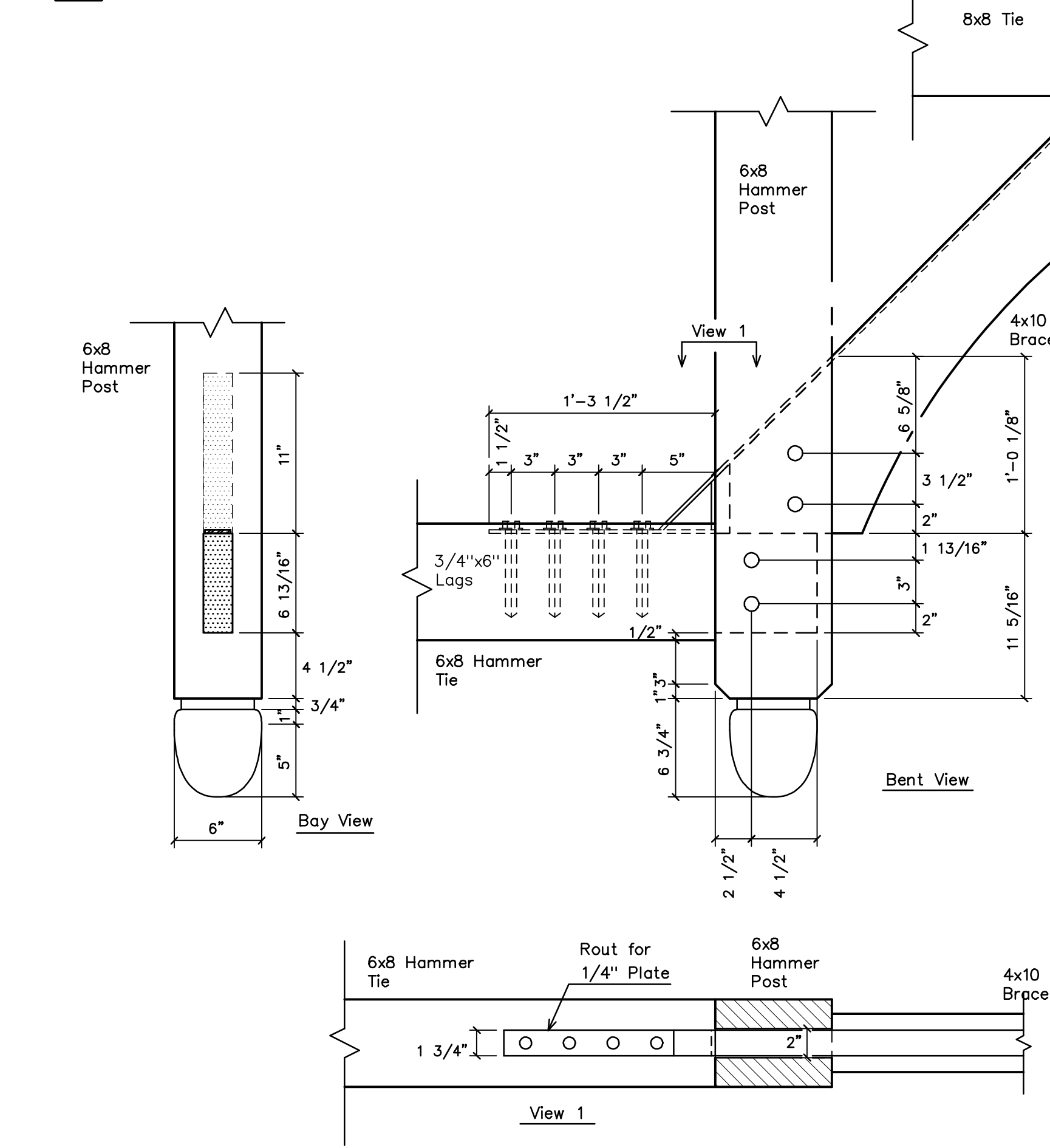
Detail 10/F5



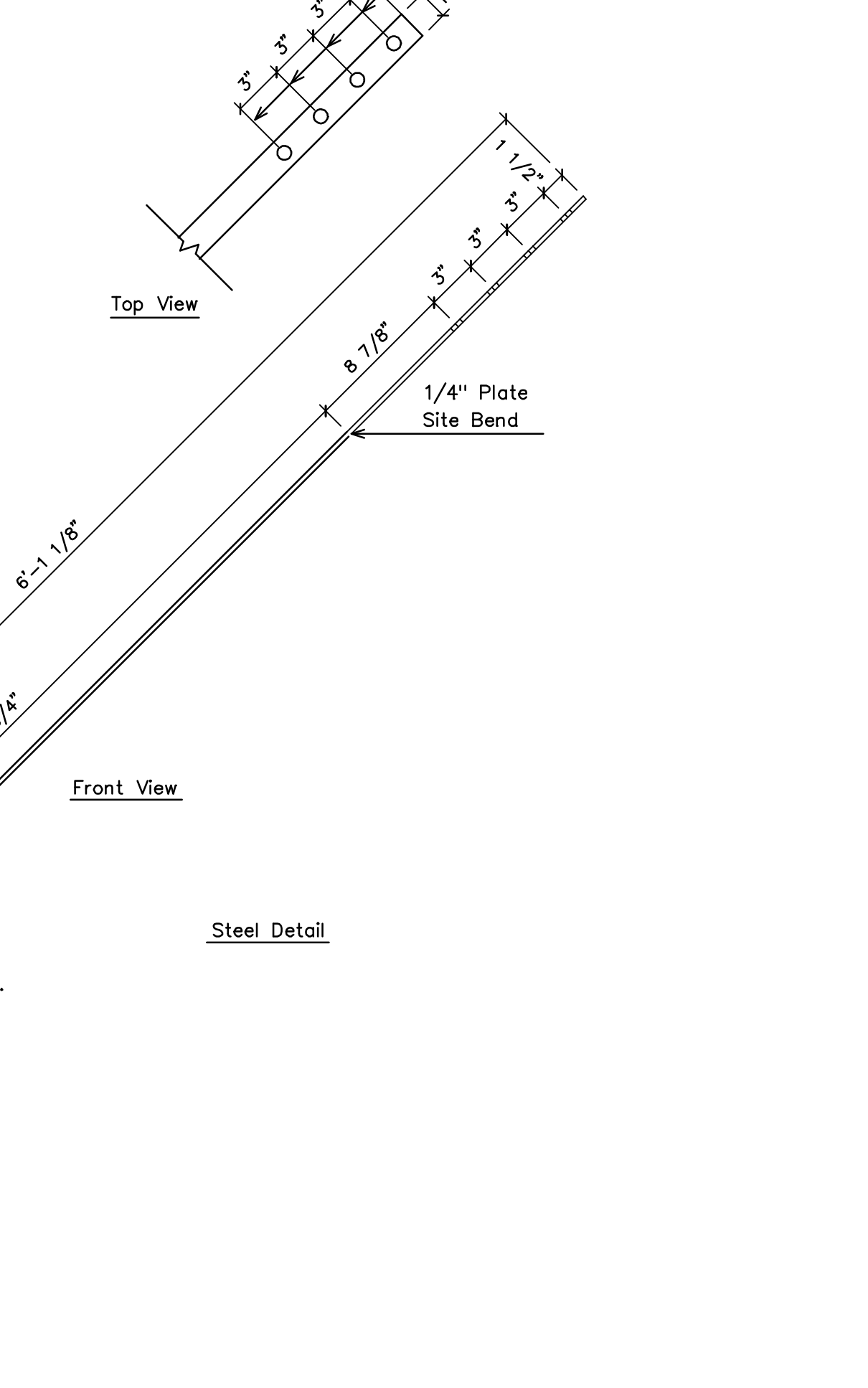
Detail 8/F5



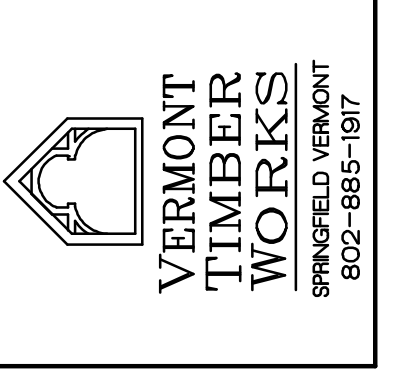
Detail 9/F5



Detail 11/F5



REVISIONS	BY
1/22/04	



SHOP DRAWINGS
Post Plan
Lower Framing

PROJECT: Hermes Barn
Shiner, Texas

DRAWN : D.F.	CHECKED :
DATE : 12/19/03	
SCALE : 1/4" = 1'-0"	
JOB NO. :	
SHEET	
F-5	
OF	SHEETS