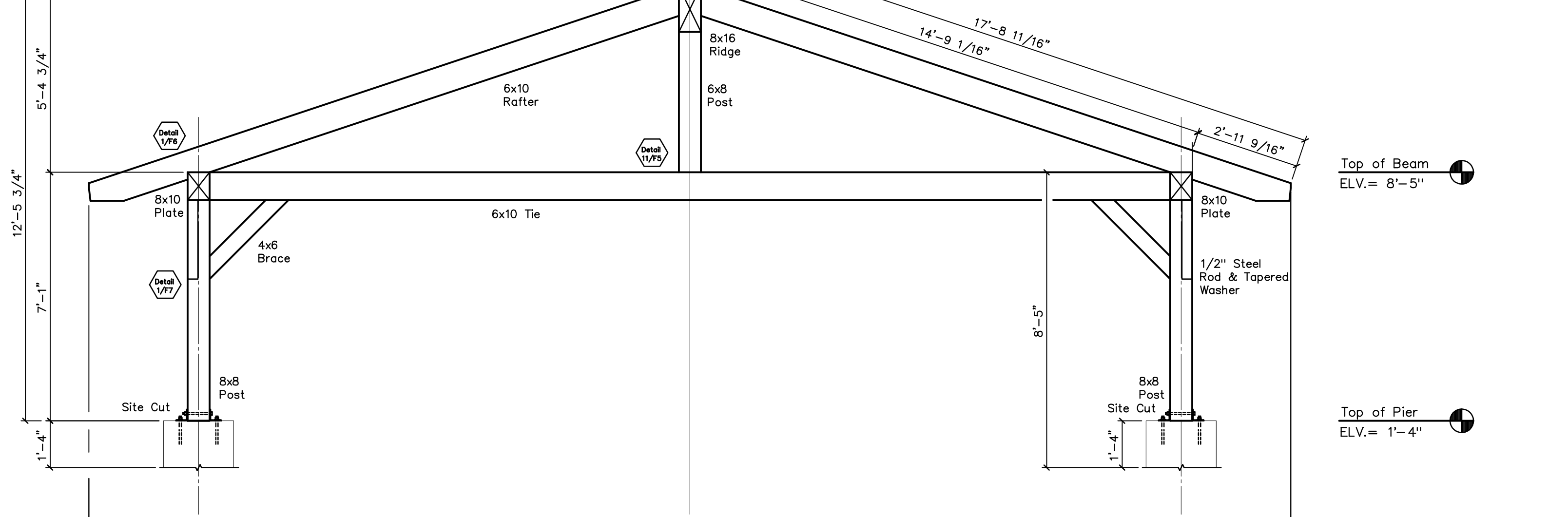
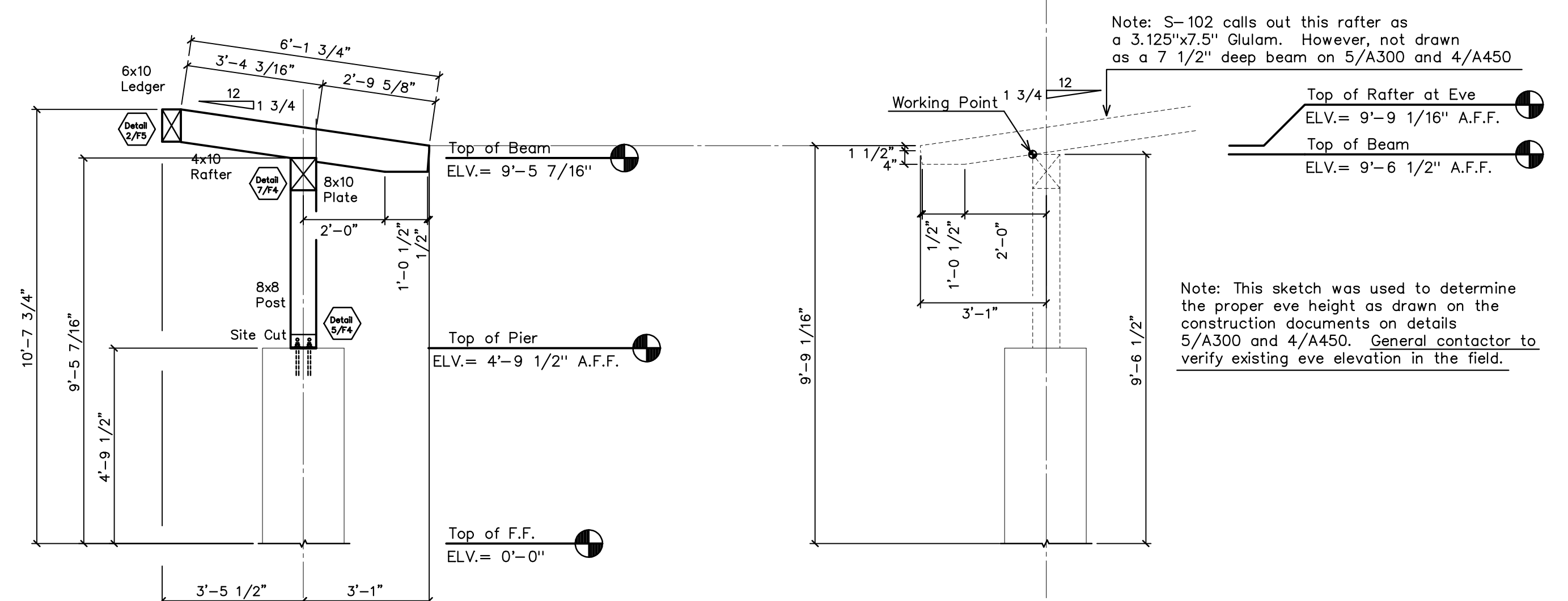


Line B  
1 1.5  
Lobby Area

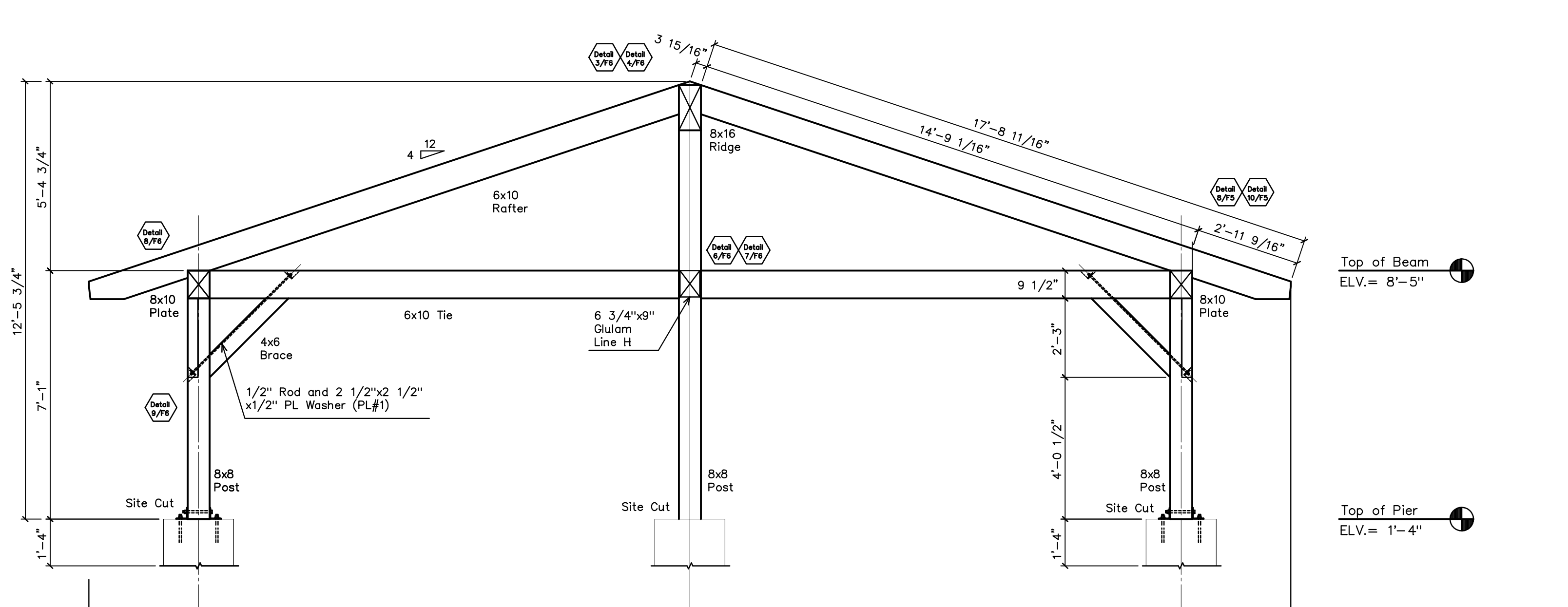
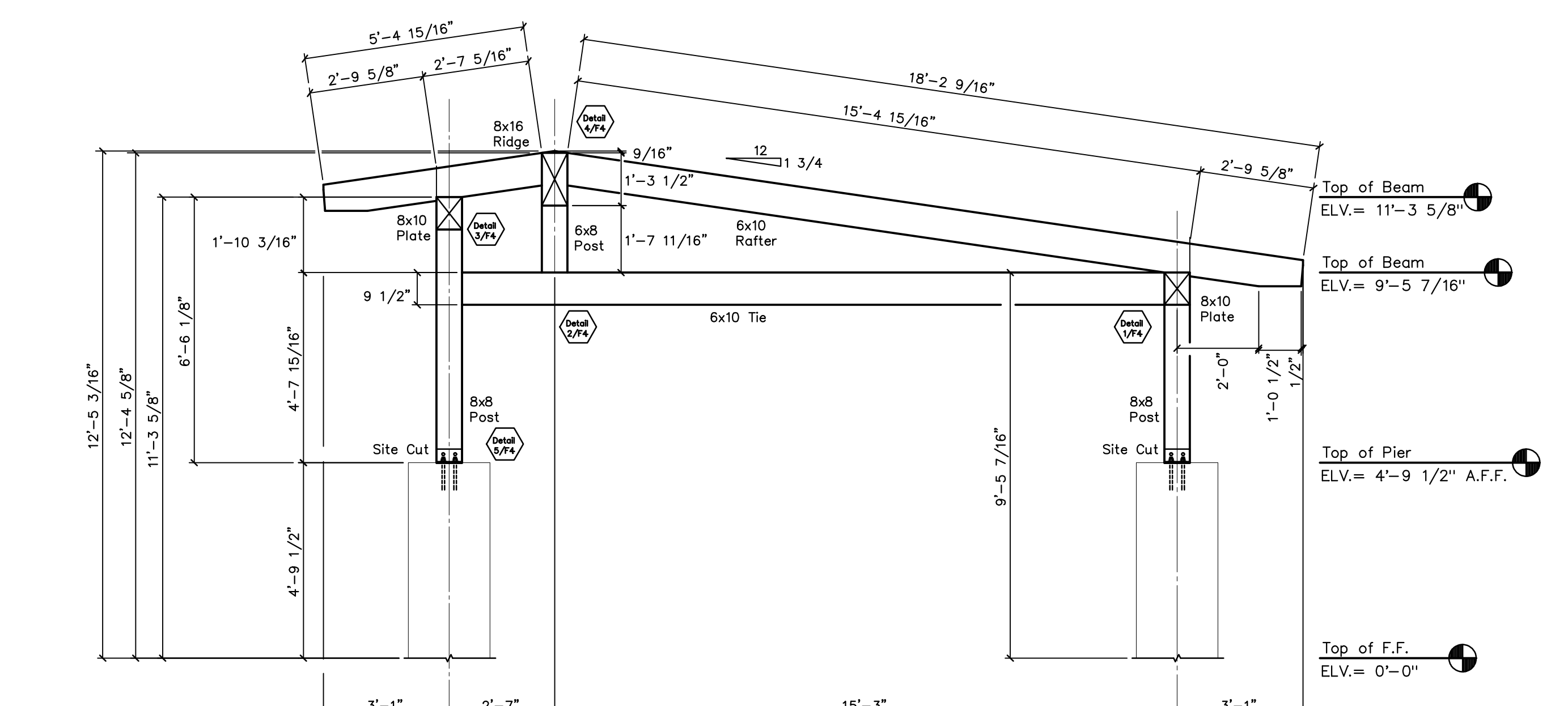
Line D.5  
1 1.5

2 3  
Trellis



Line 5  
D D

Line G  
2 3 4



Line 6  
A A.5  
Corridor

Lines F & H  
2 3 4  
Covered Dining

REVISIONS	BY
9/20/07	PJZ
10/12/07	PJZ
11/6/07	PJZ
1/22/08	PJZ

RED LINE CHECK  
BY: DATE:

SHOP DRAWINGS  
Timber Framing  
Bent Profiles

THE ENGINEERING ADVICE, OPINIONS, AND RECOMMENDATIONS IN THIS DRAWING ARE THOSE OF THE LICENSED PROFESSIONAL ENGINEER WHOSE STAMP APPEARS HEREIN, AND NOT OF VERMONT TIMBER WORKS, INC.

PROJECT:  
Lake Taghkanic  
State Park  
Ancram, New York

DRAWN : D.F.  
CHECKED :  
DATE : 8/24/07  
SCALE : 3/8" = 1'-0"  
JOB NO. :  
SHEET F-2  
OF SHEETS

COPYRIGHT VERMONT TIMBER WORKS, INC. THIS DRAWING MAY BE UTILIZED ONLY FOR THE WORK SHOWN THEREIN AT THE SITE SPECIFIED. ANY OTHER USE OF THIS DRAWING, INCLUDING REPRODUCTION OR ALTERATION OF THIS DRAWING WITHOUT THE PRIOR WRITTEN APPROVAL OF VERMONT TIMBER WORKS, INC. IS A VIOLATION OF LAW AND PROHIBITED.