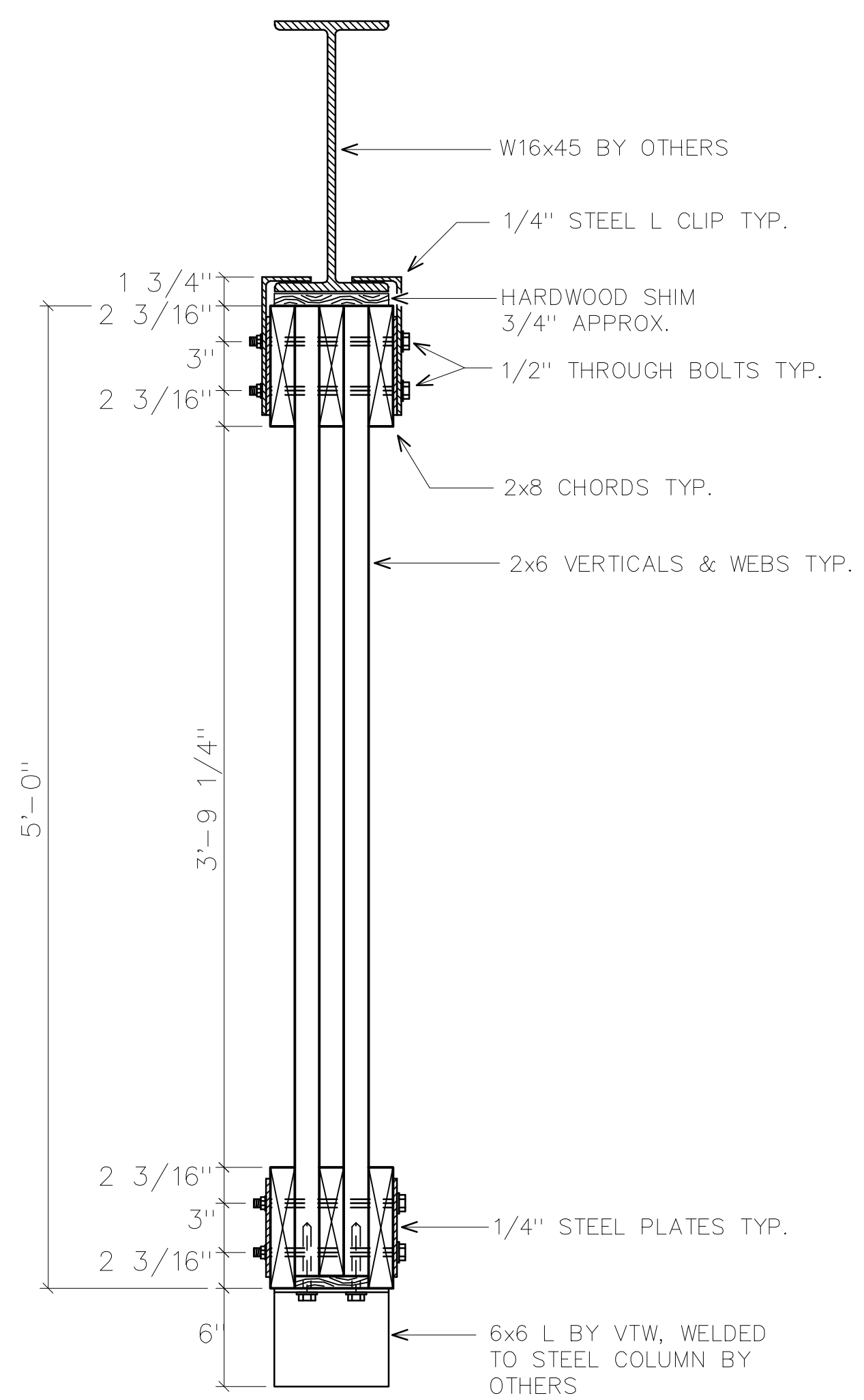
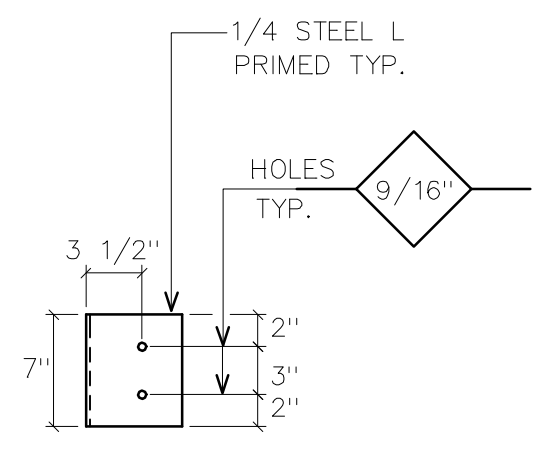


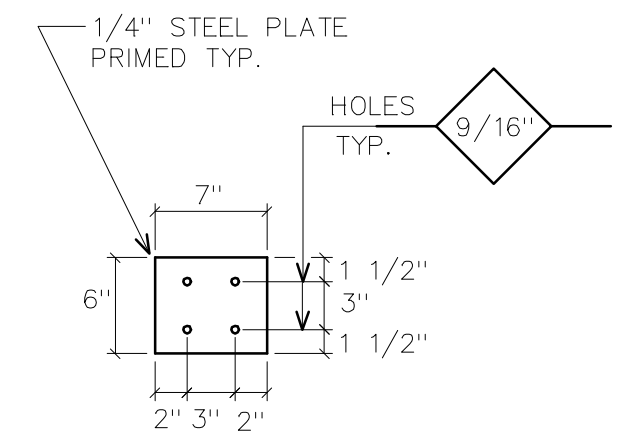
TOWN SQUARE TRUSS (4) REQUIRED
1" = 1'-0"



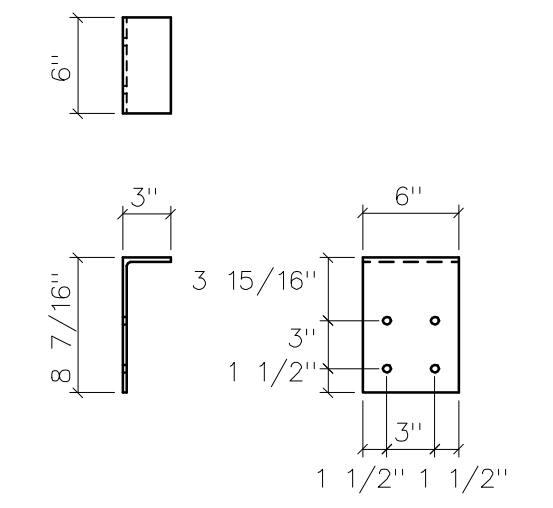
TOWN SQUARE TRUSS SECTION
1 1/2" = 1'-0"



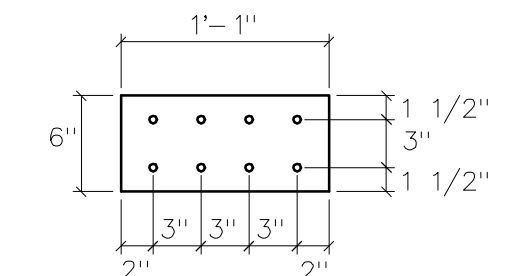
PL-1 (8) REQUIRED
1" = 1'-0"



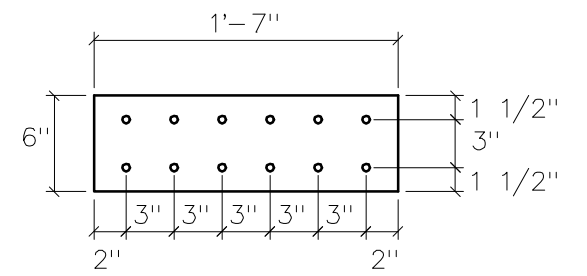
PL-2 (24) REQUIRED
1" = 1'-0"



PL-3 (56) REQUIRED
1" = 1'-0"

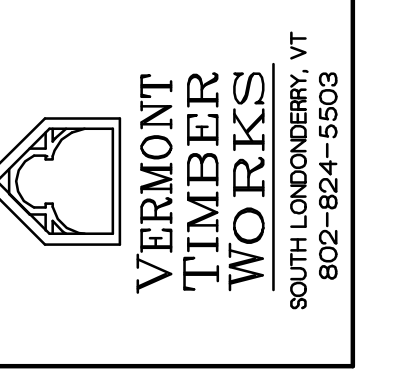


PL-4 (80) REQUIRED
1" = 1'-0"



PL-5 (8) REQUIRED
1" = 1'-0"

REVISIONS	BY



SHOP DRAWINGS
TOWN SQUARE
TRUSS ELEV. &
DETAILS

ARCH: HARRIMAN ASSOCIATES
G.C.: HARVEY CONST.

PROJECT: NOBEL HIGH SCHOOL
NORTH BERWICK MAINE

DRAWN : D.F.
CHECKED :
DATE : 7/19/99
SCALE : 1" = 1'-0"
JOB NO. :
SHEET