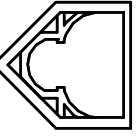


REVISIONS	BY

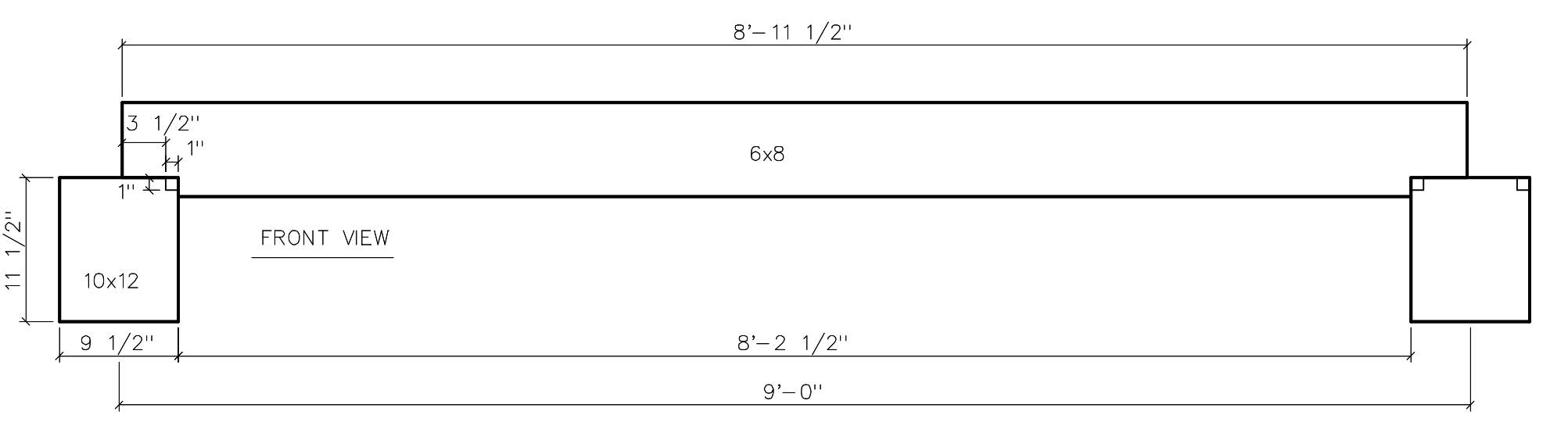
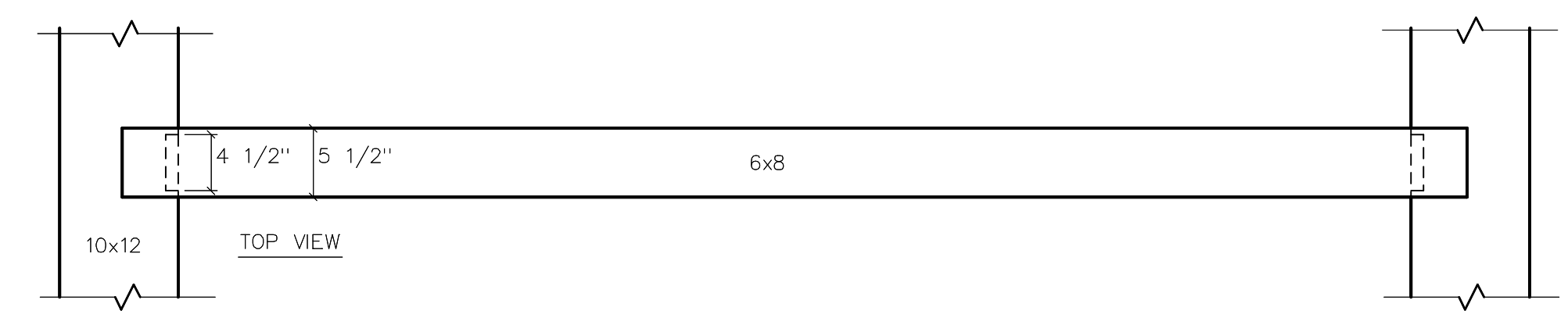

**VERMONT
TIMBER
WORKS**
 SOUTH LONDONDERRY, VT
 802-824-5503

SHOP DRAWINGS
 6x8 JOISTS
 6x6 PURLINS
 BRACES
 PACKAGE #2

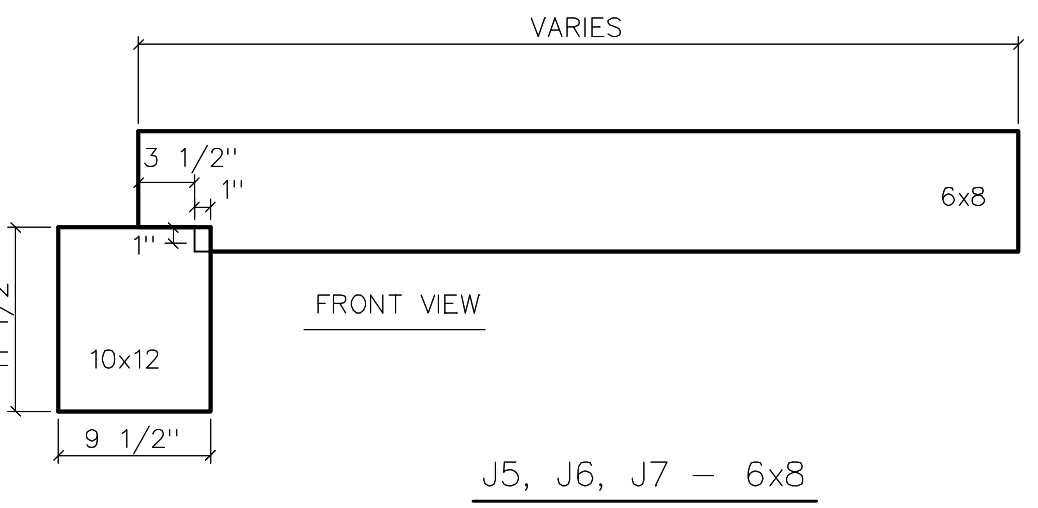
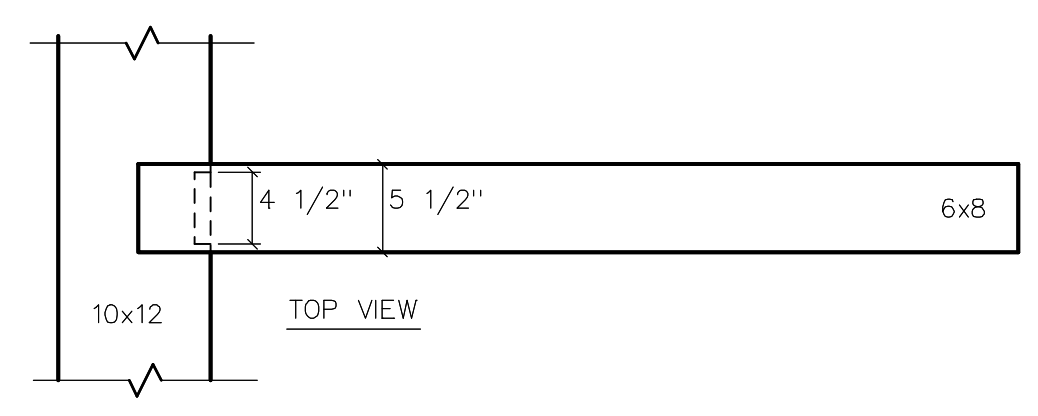
ARCH: THE BURLEY PARTNERSHIP
 ENG: ENGINEERING VENTURES
 G.C.: ENGELBERTH

**PROJECT: TRAPP FAMILY LODGE
 STOWE, VERMONT**

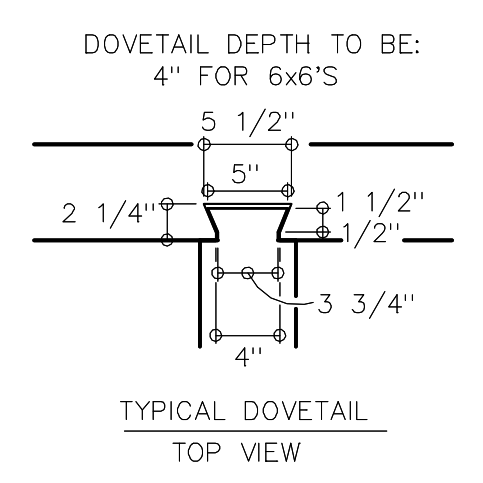
DRAWN : D.F.
 CHECKED :
 DATE : 10/14/99
 SCALE : 1"=1'-0"
 JOB NO. :
 SHEET
F-11
 OF SHEETS



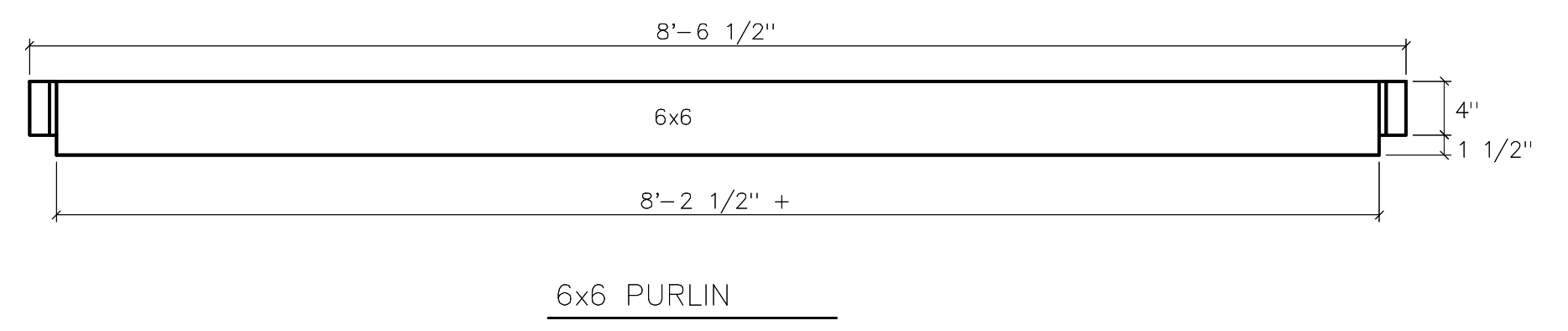
J4 - 6x8



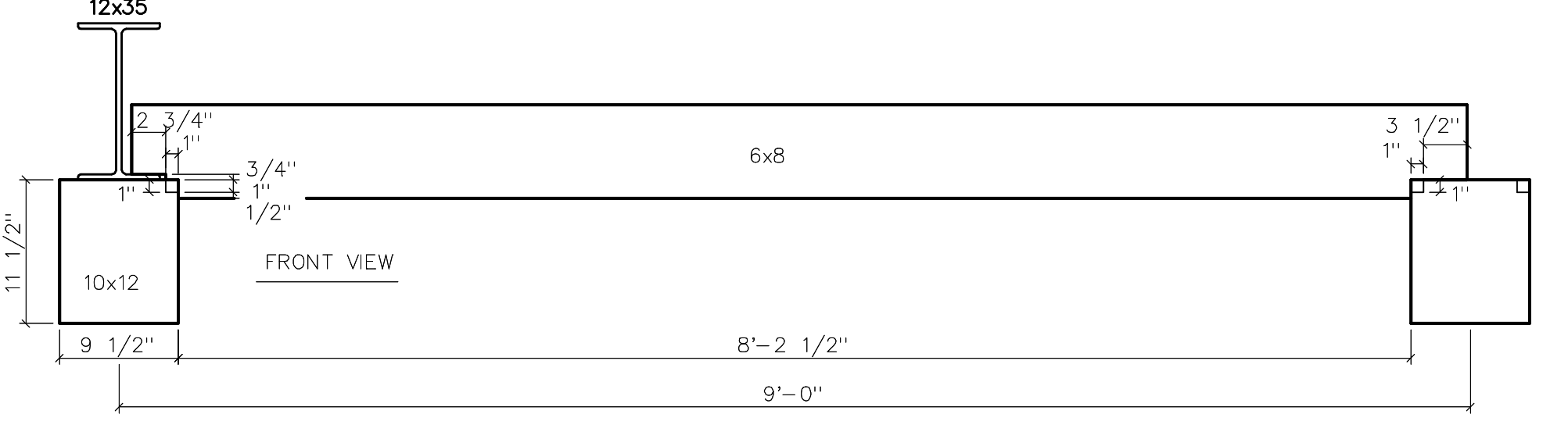
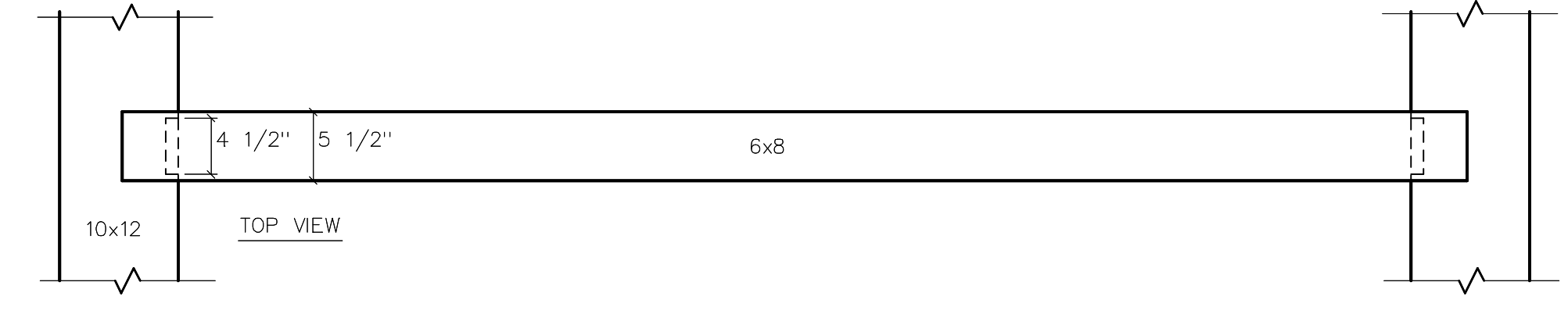
J5, J6, J7 - 6x8



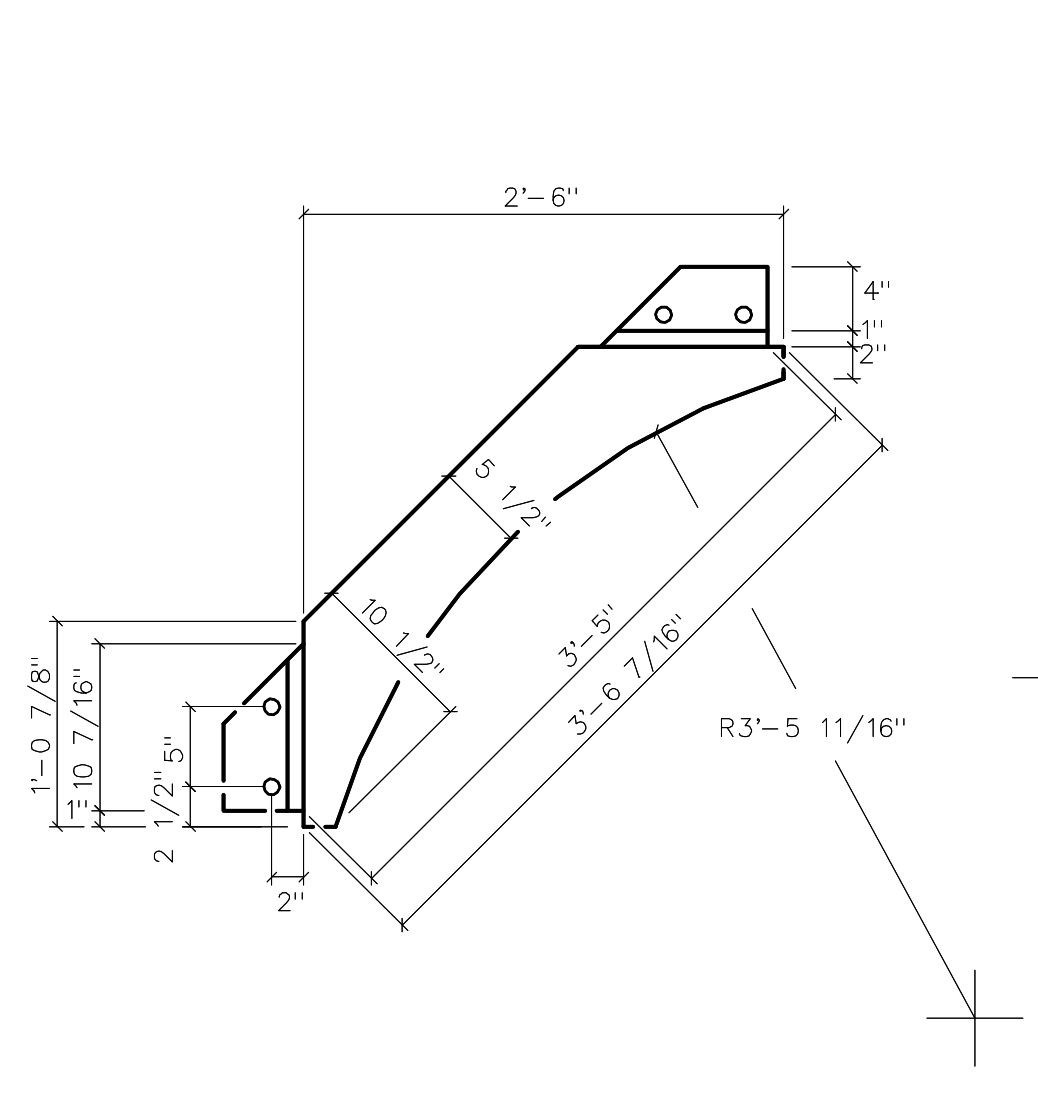
TYPICAL DOVETAIL TOP VIEW



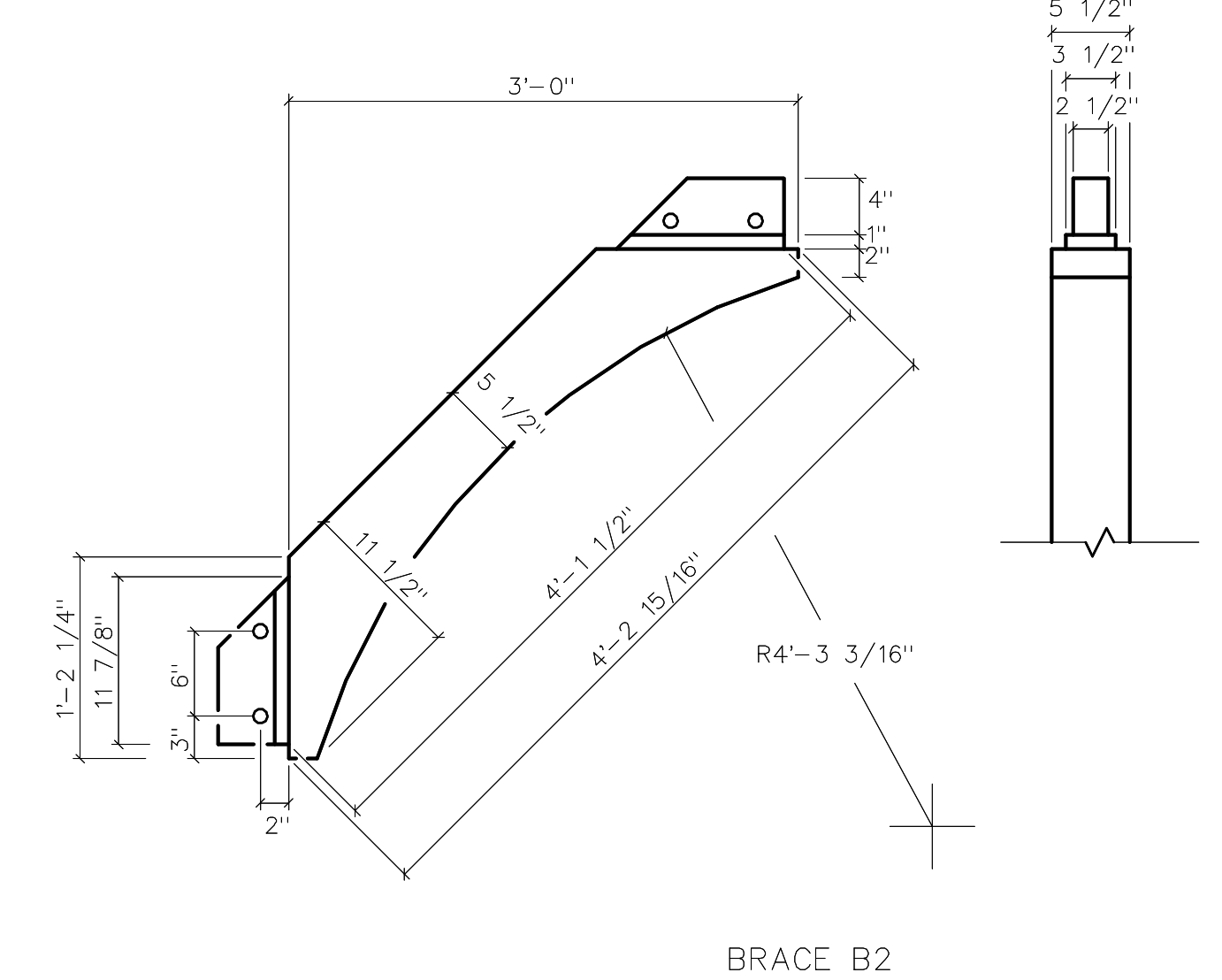
6x6 PURLIN



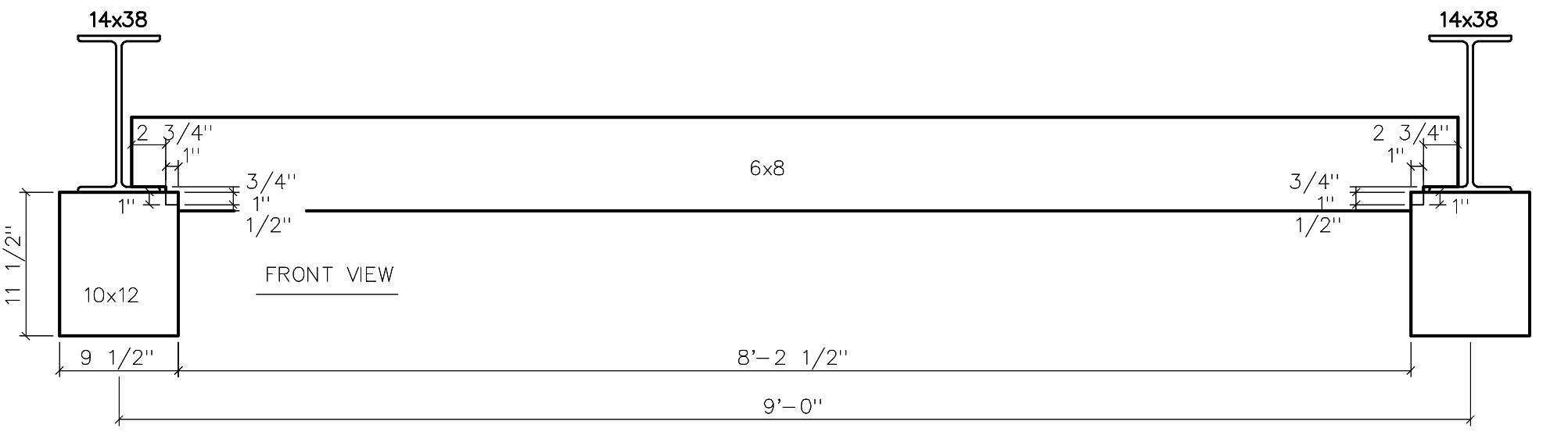
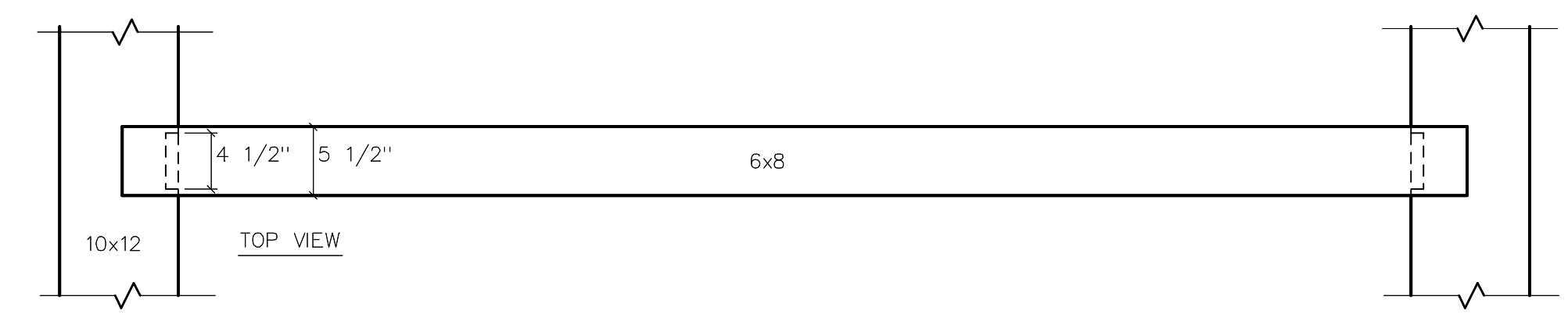
J8 - 6x8



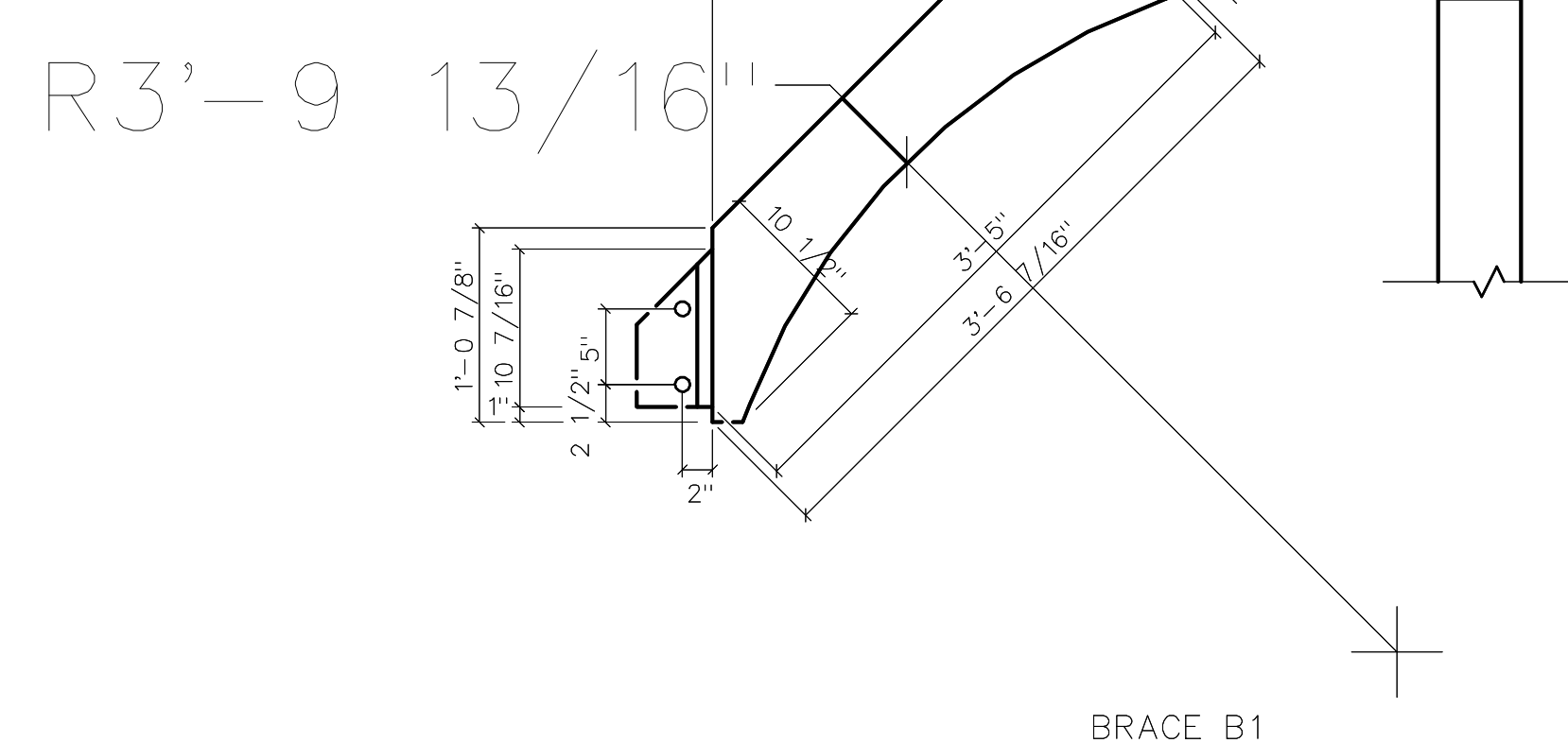
BRACE B1



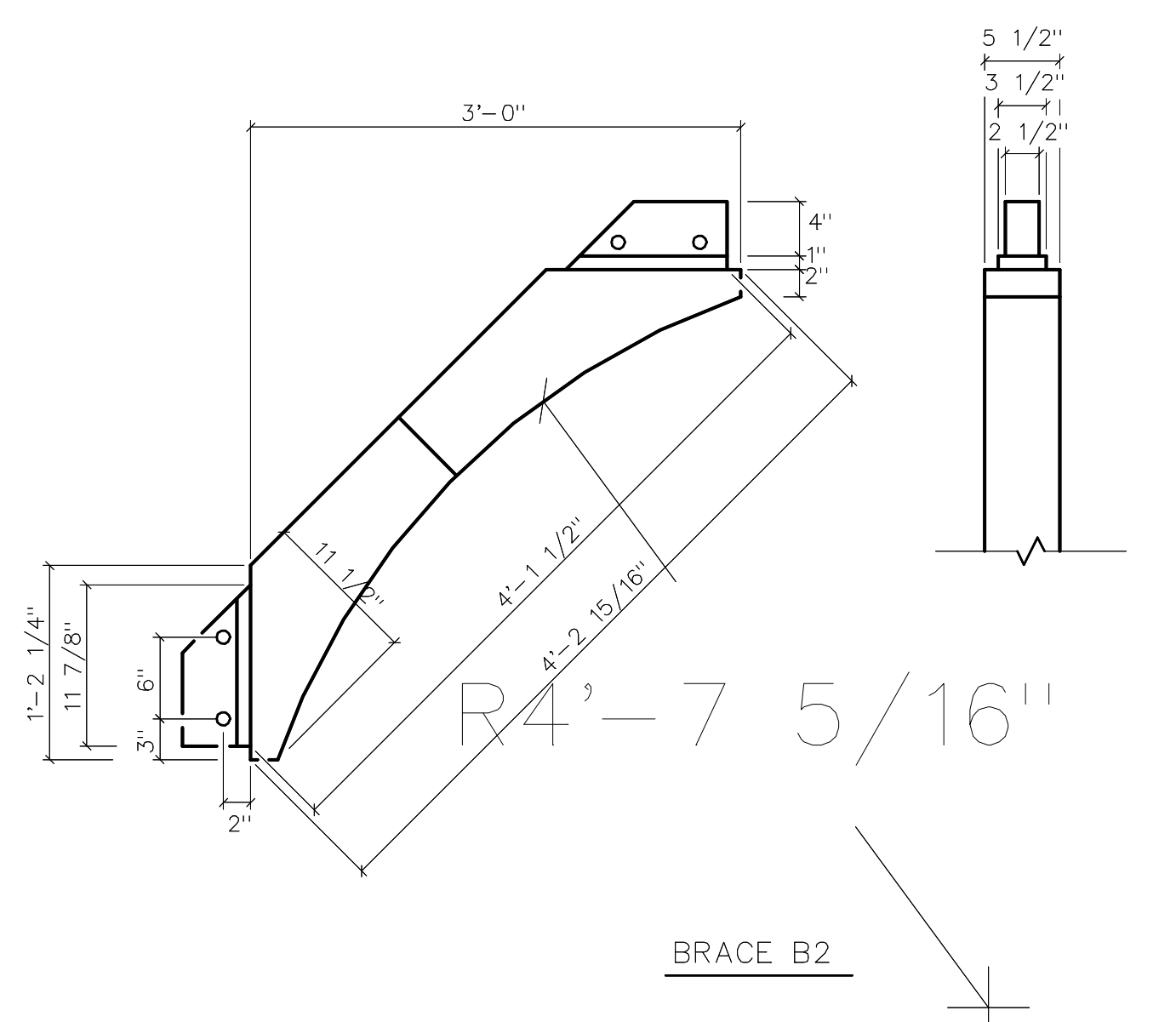
BRACE B2



J9 - 6x8



BRACE B1



BRACE B2