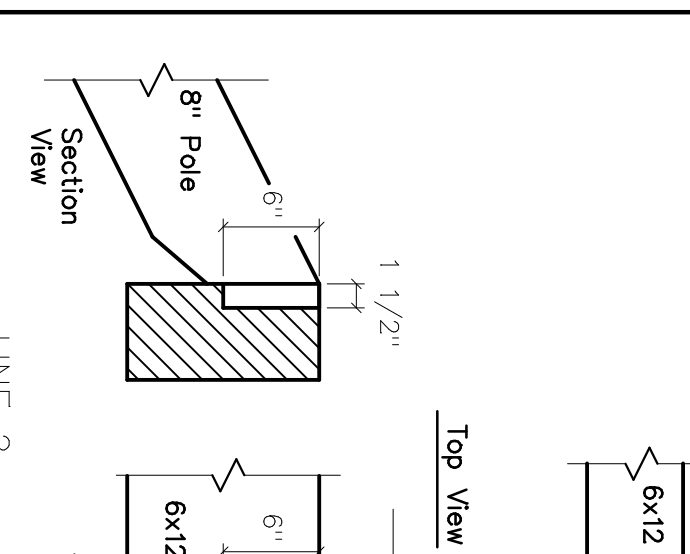
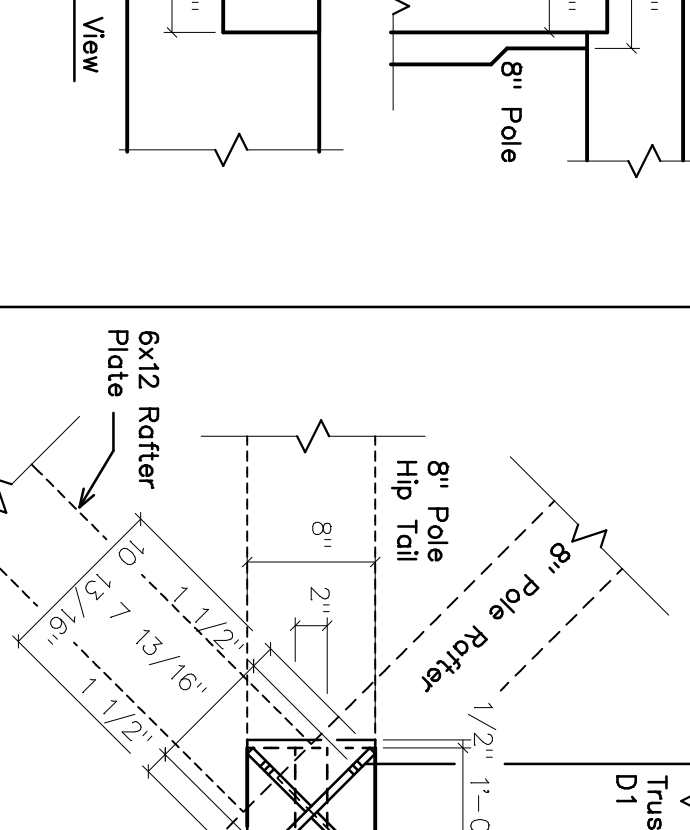
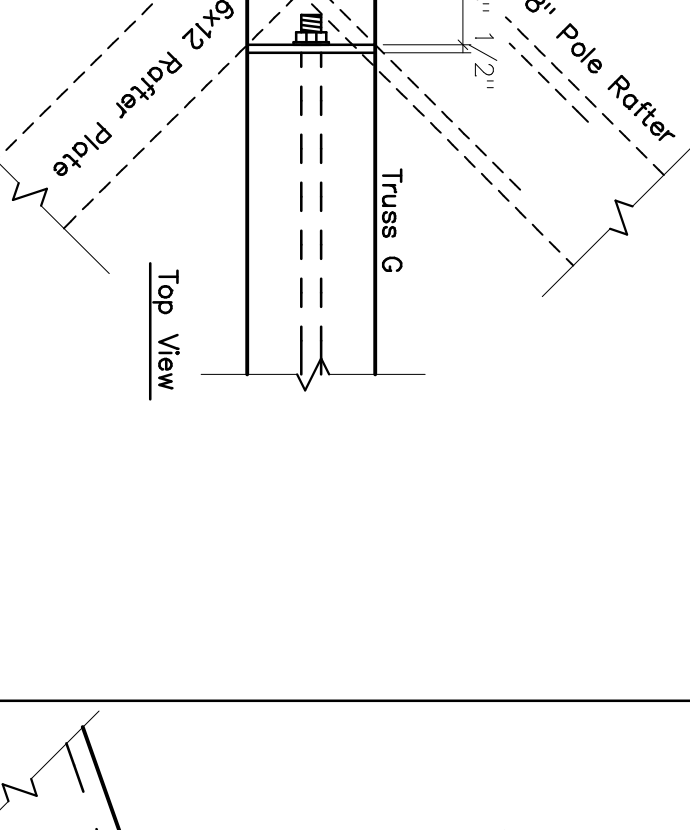
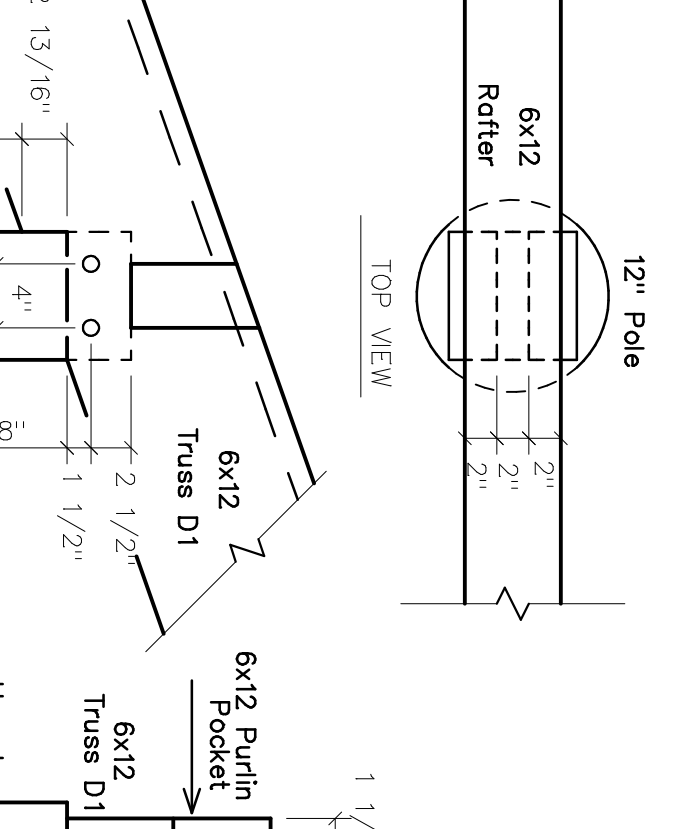
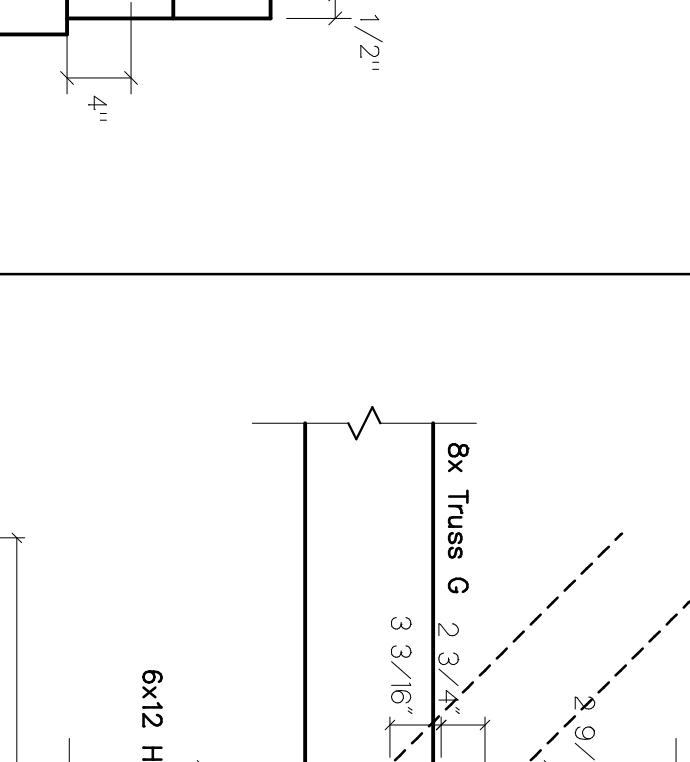
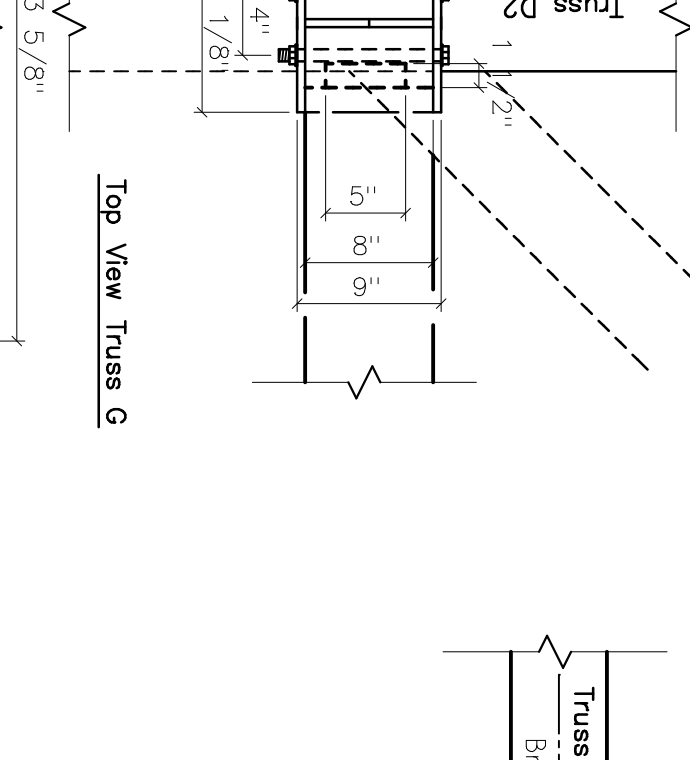
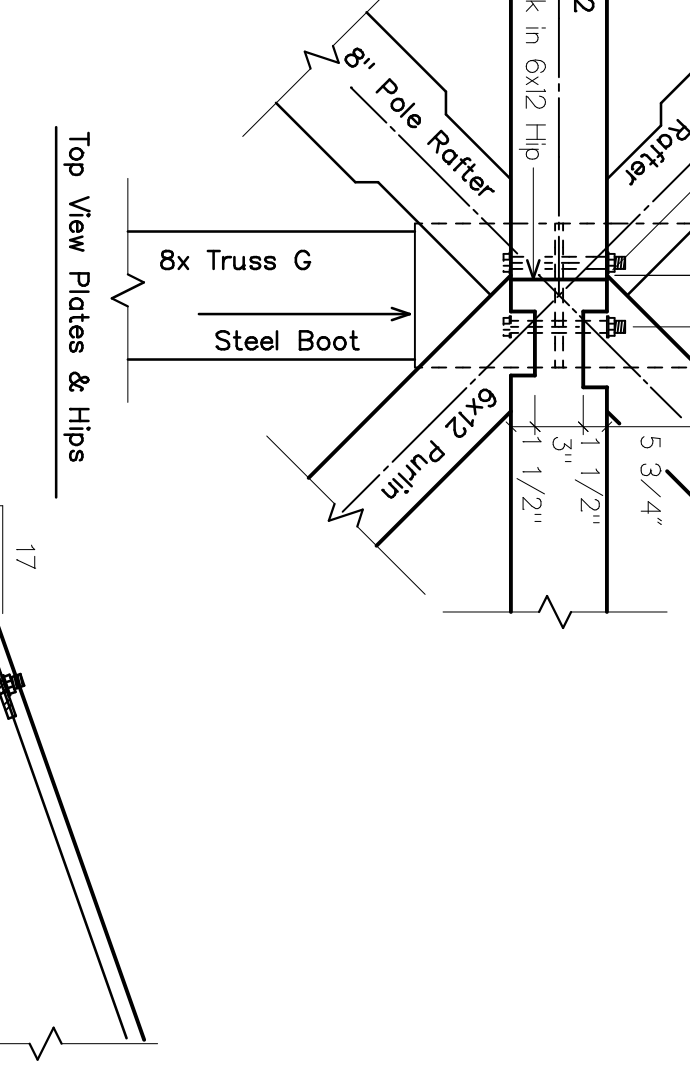
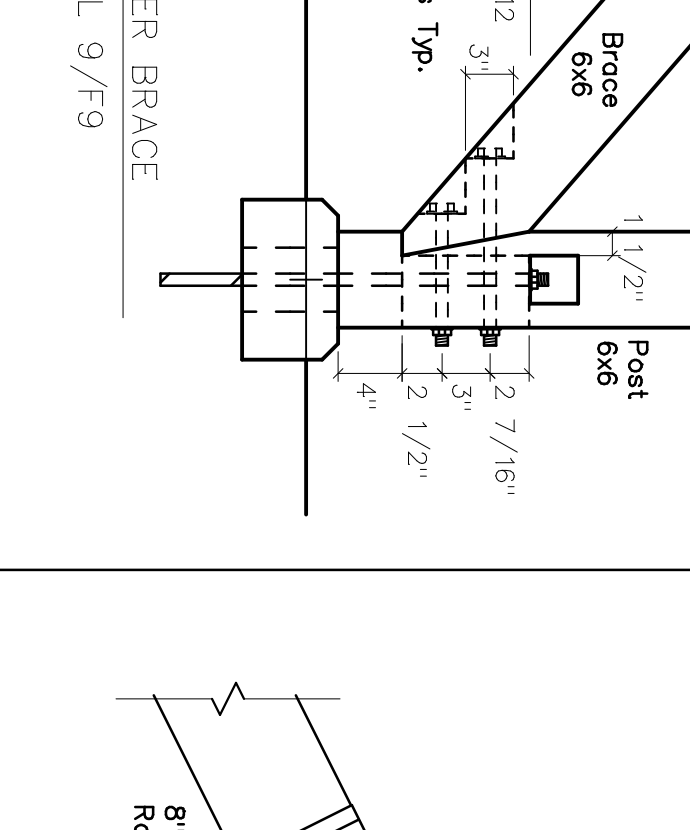
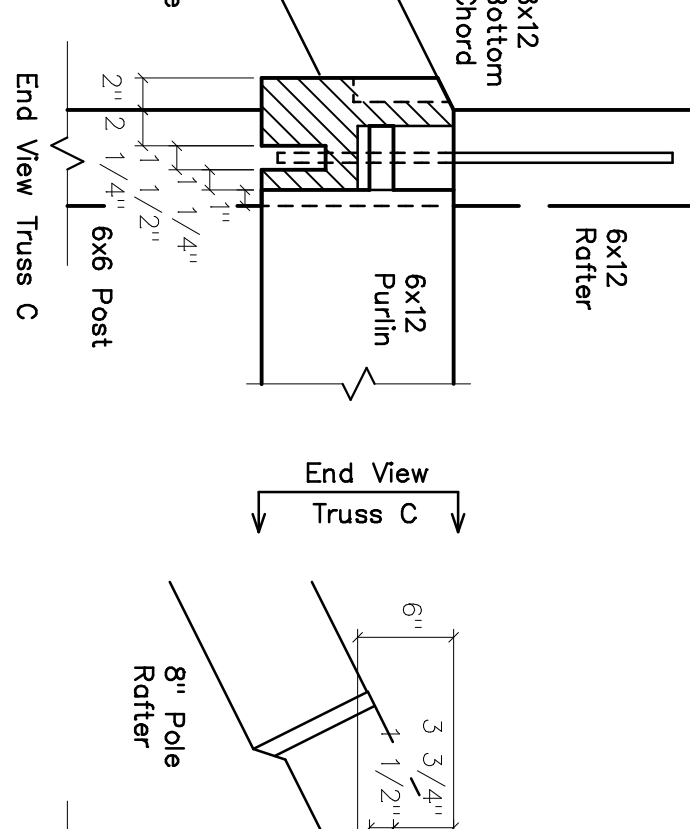
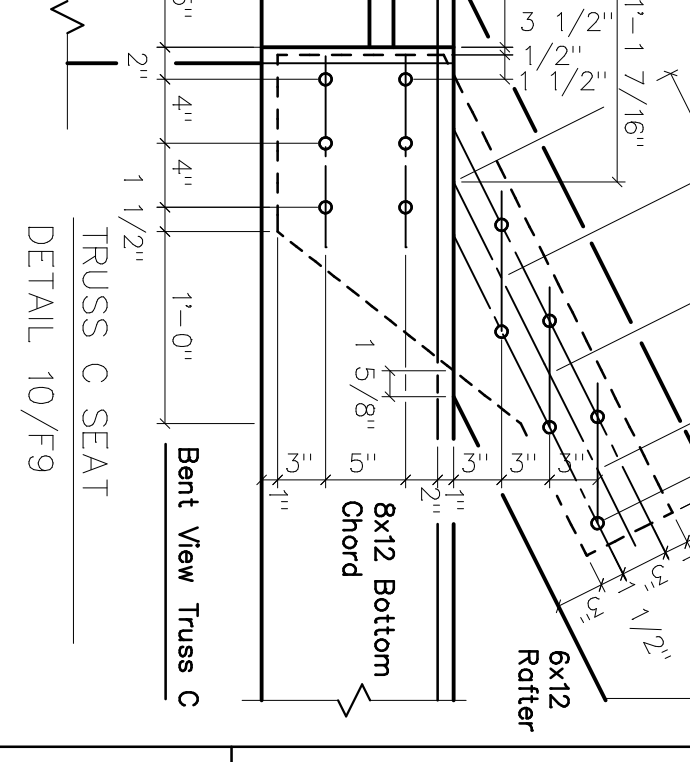
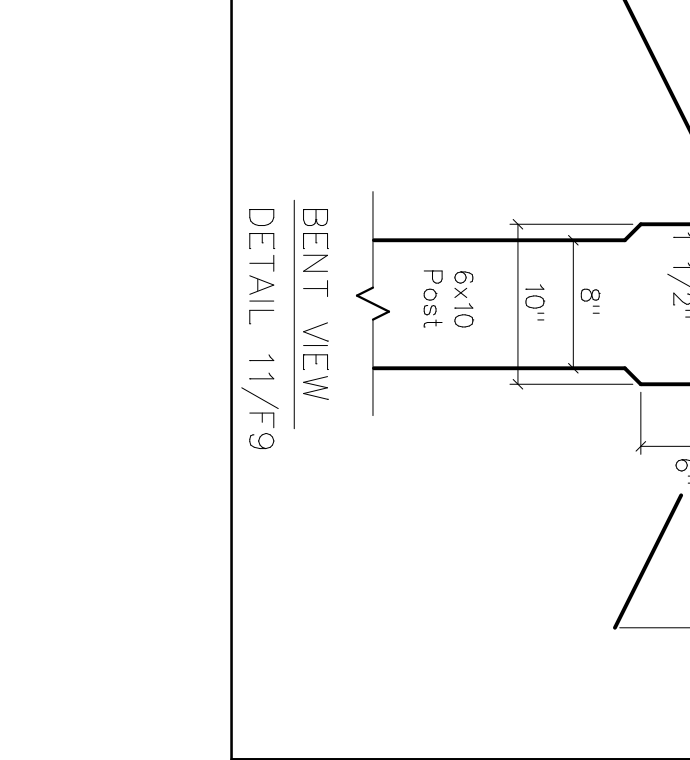
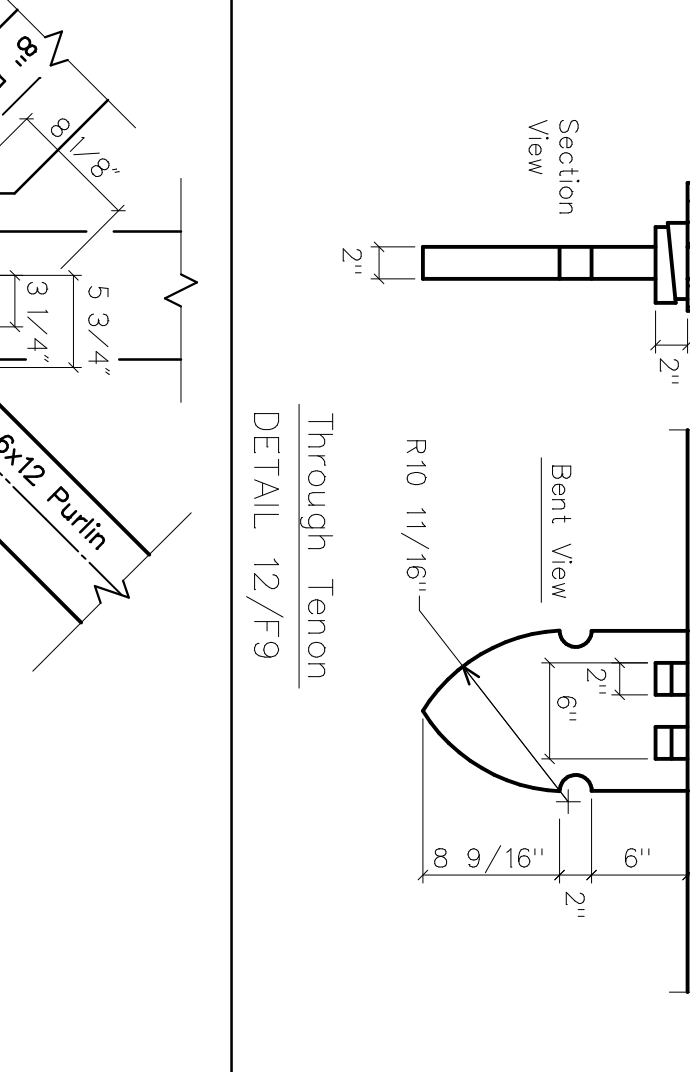
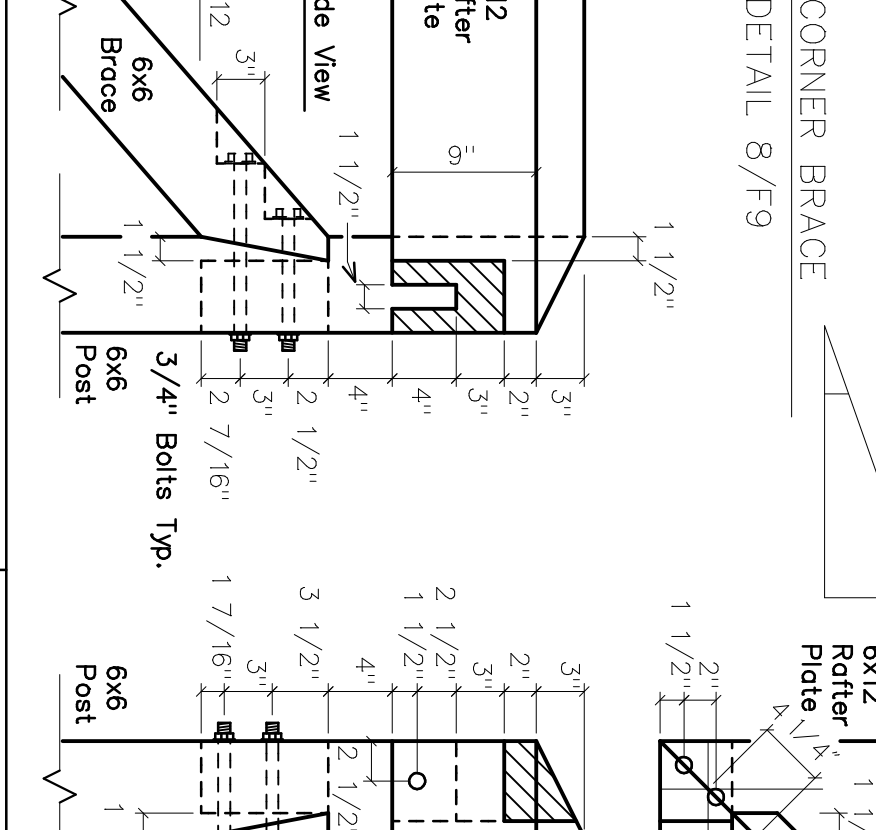
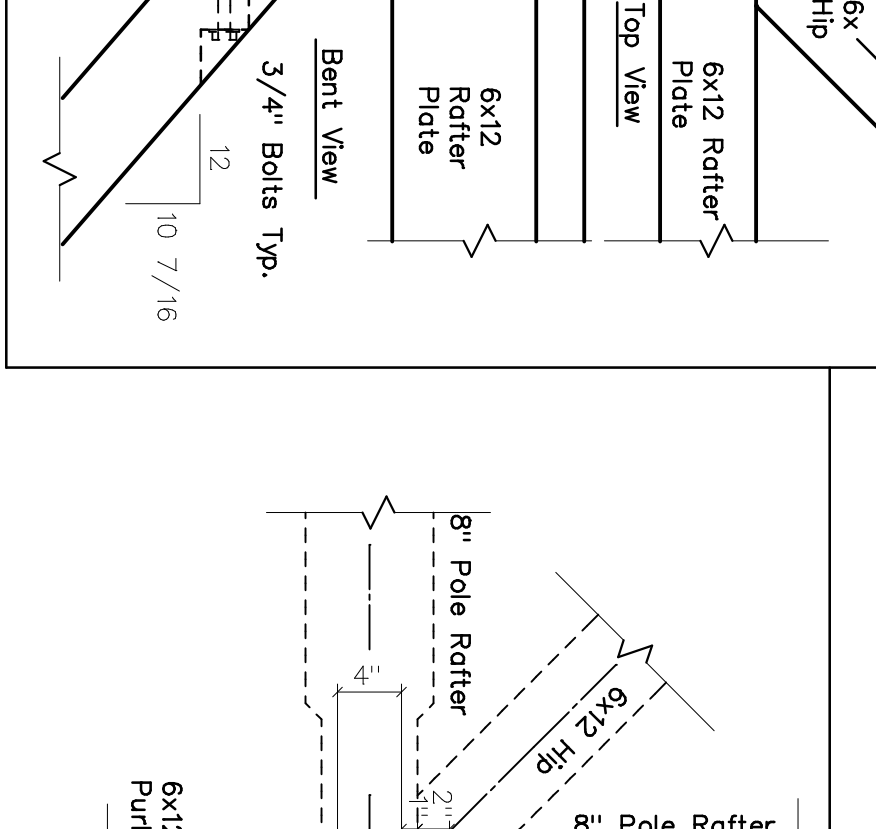
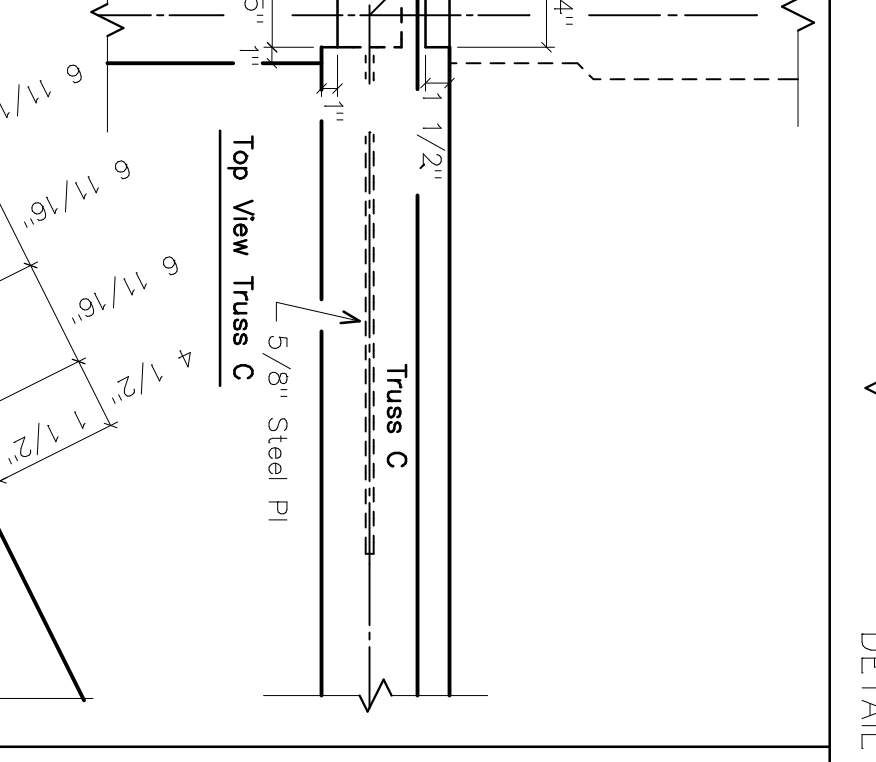
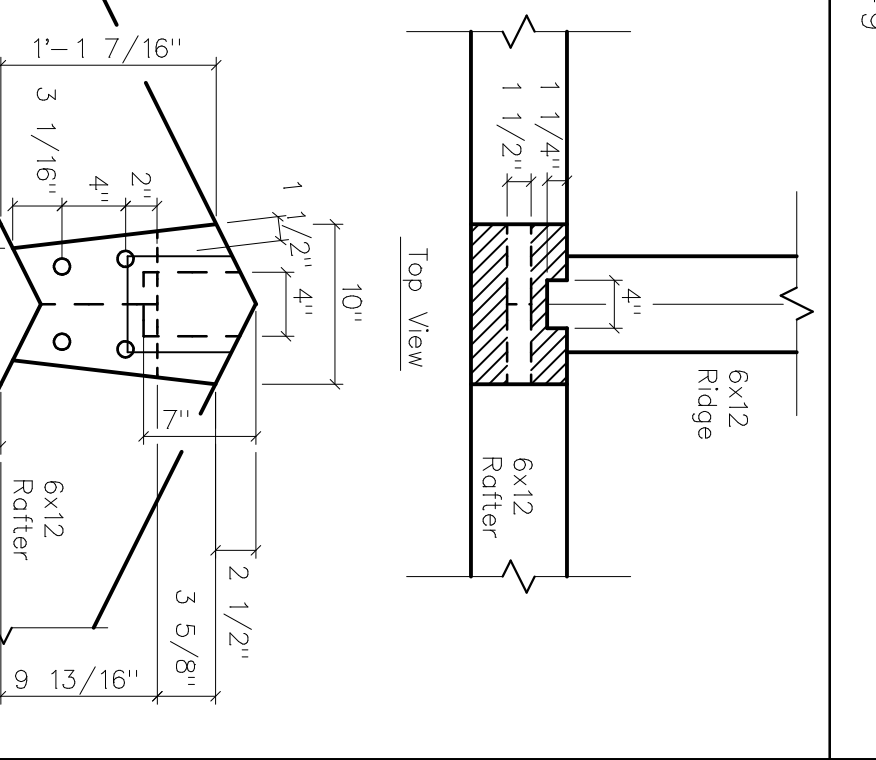
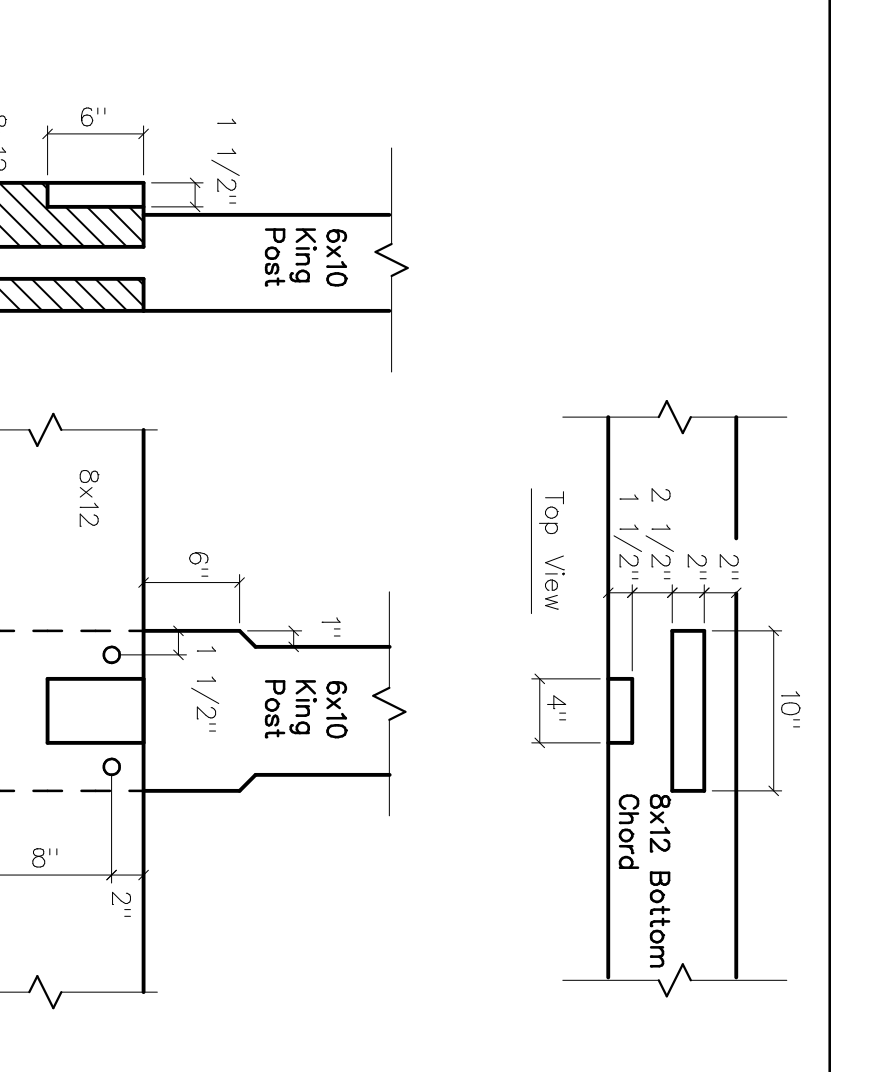
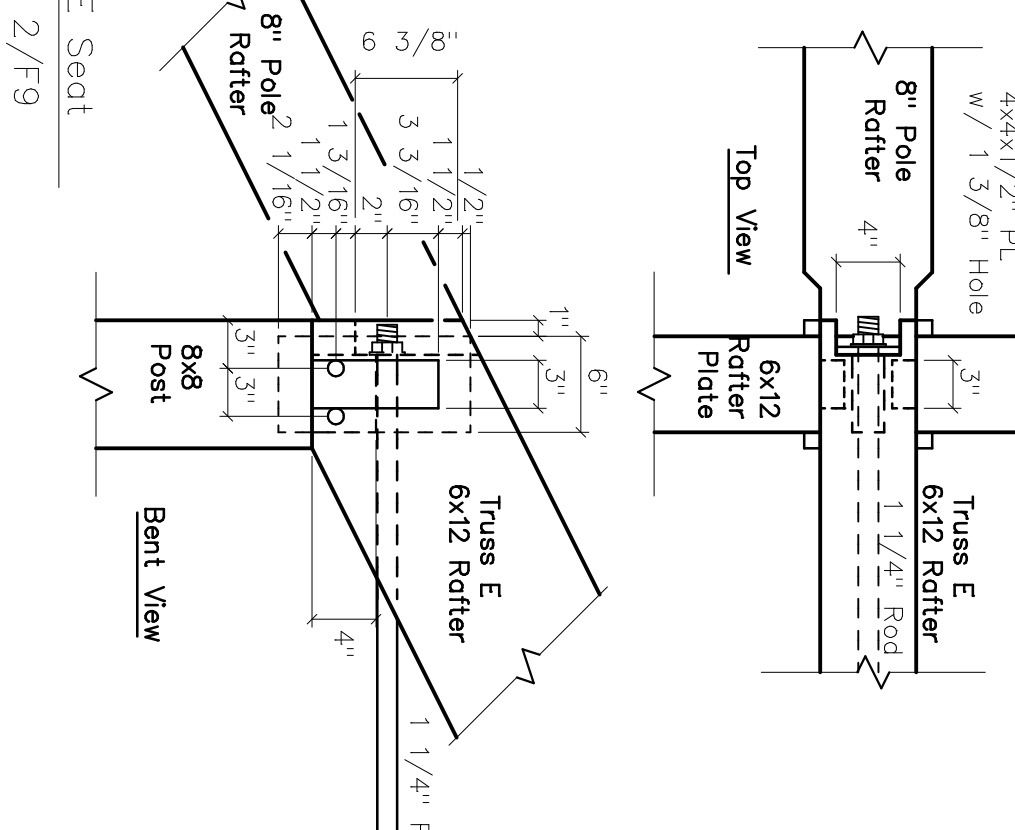
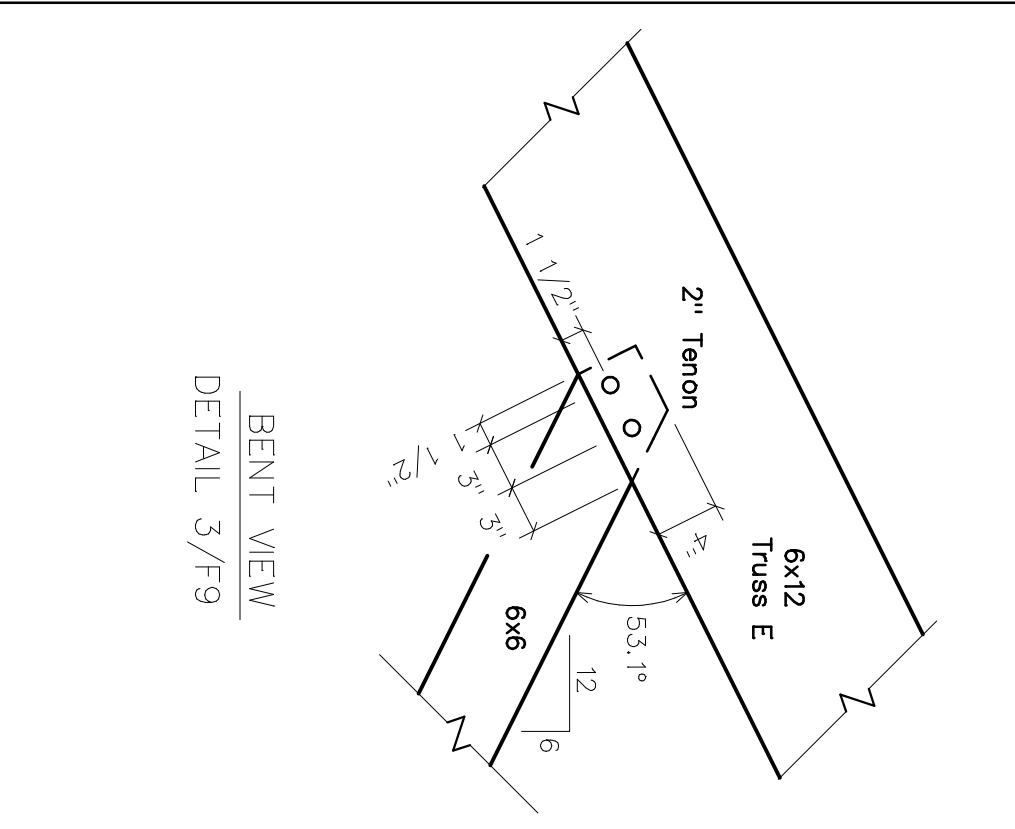
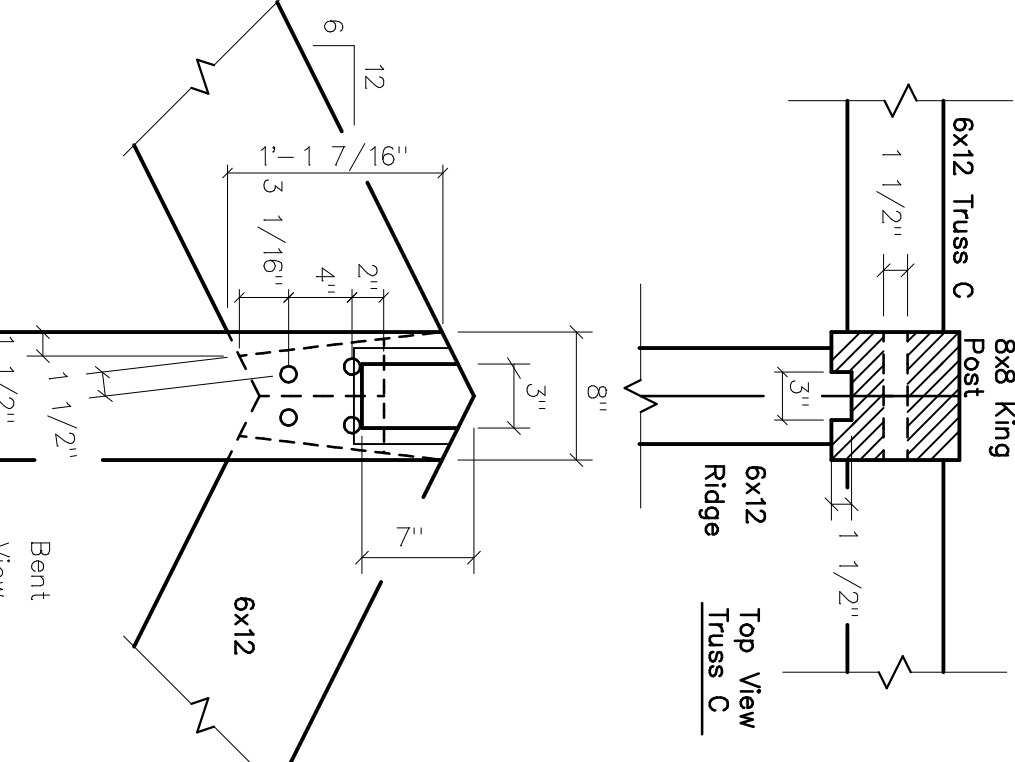
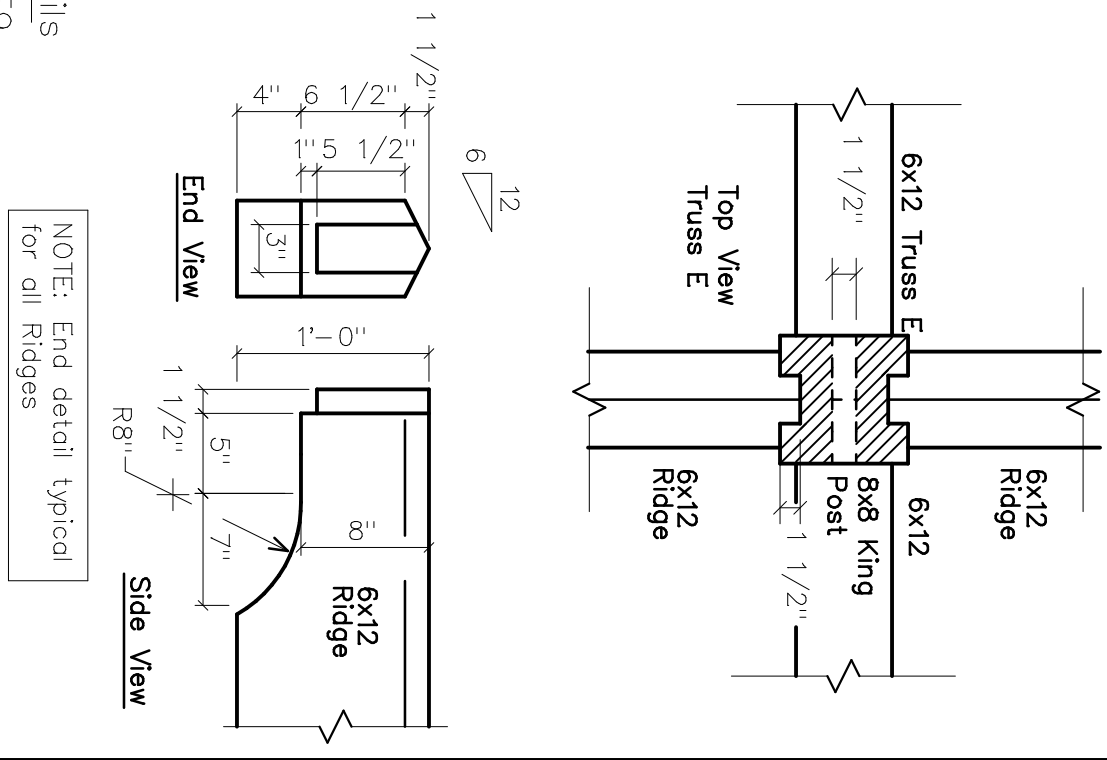
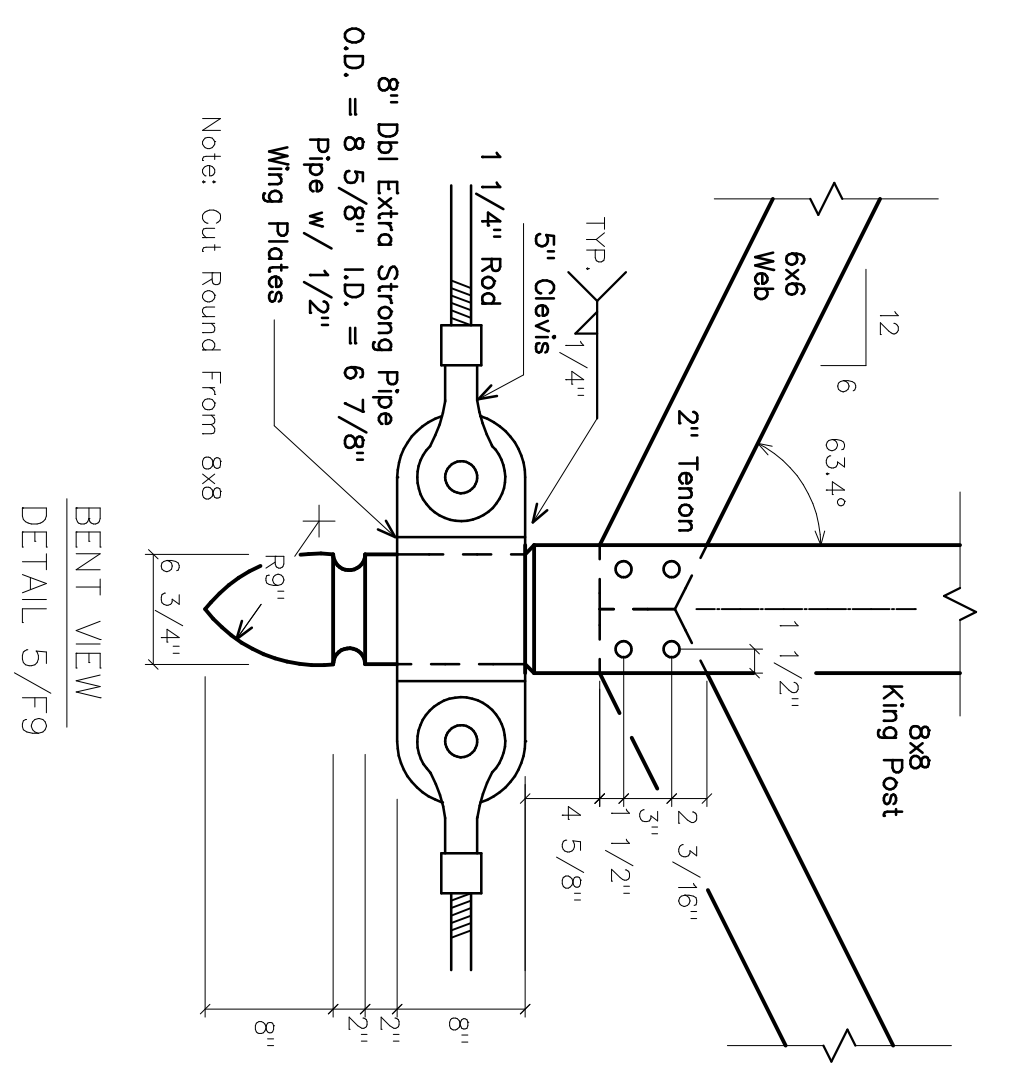


REVISIONS	BY
8/24/00	



SHOP DRAWINGS  
JOINT DETAILS



PROJECT:	CAMP ABC FRESH AIR FUND FISHKILL, NY
DRAWN:	DR. F.
CHECKED:	
DATE:	7/18/00
SCALE:	1"=1'-0"
JOB NO.:	
SHEET:	F-9
OF SHEETS	09