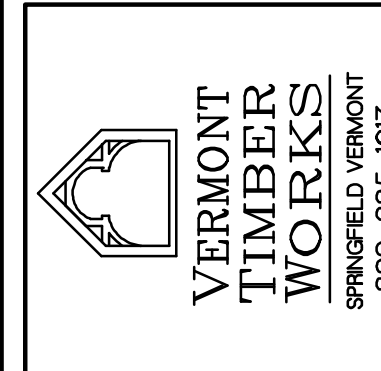


Bay Profiles - South Stable

General Notes:

Timbers to be Douglas Fir Select Structural S4S  
 Pegs to be 1" birch.  
 All edges to have 1/2" chamfer  
 One coat of urethane to be shop applied on all sides.  
 All Bolts to be 3/4" zinc coated.  
 All Steel to be shop primed flat black.  
 Floor live load 100 psf max, or as limited on plan as indicated, thus 70 psf.

REVISIONS	BY
1/11/02	
1/17/02	
3/26/02	

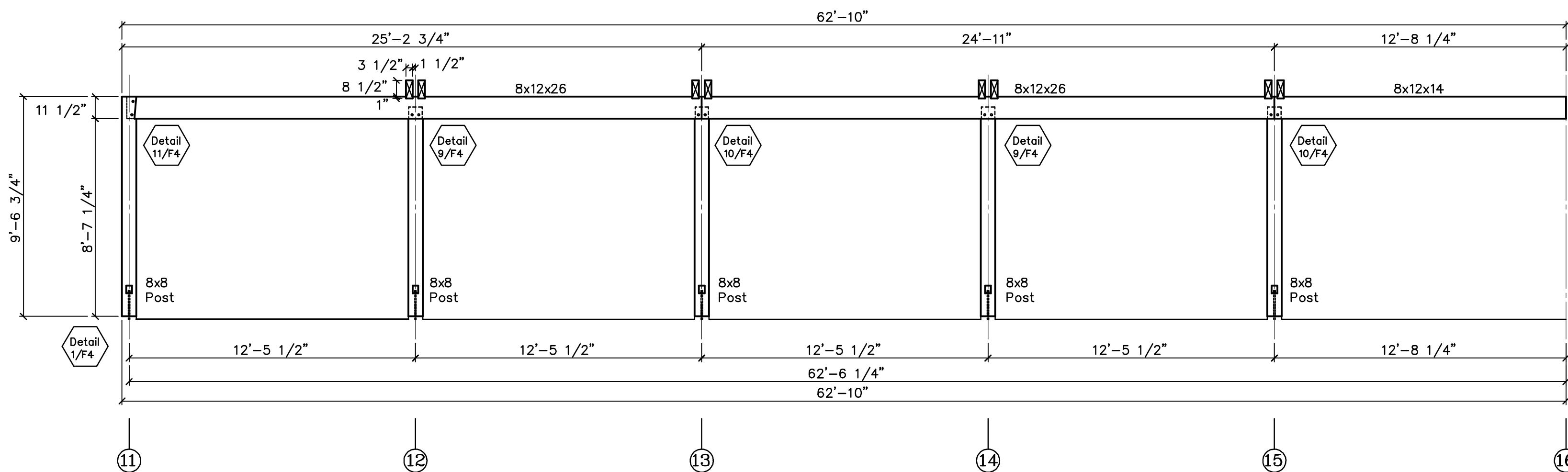


SHOP DRAWINGS  
 Perspectives  
 Elevations

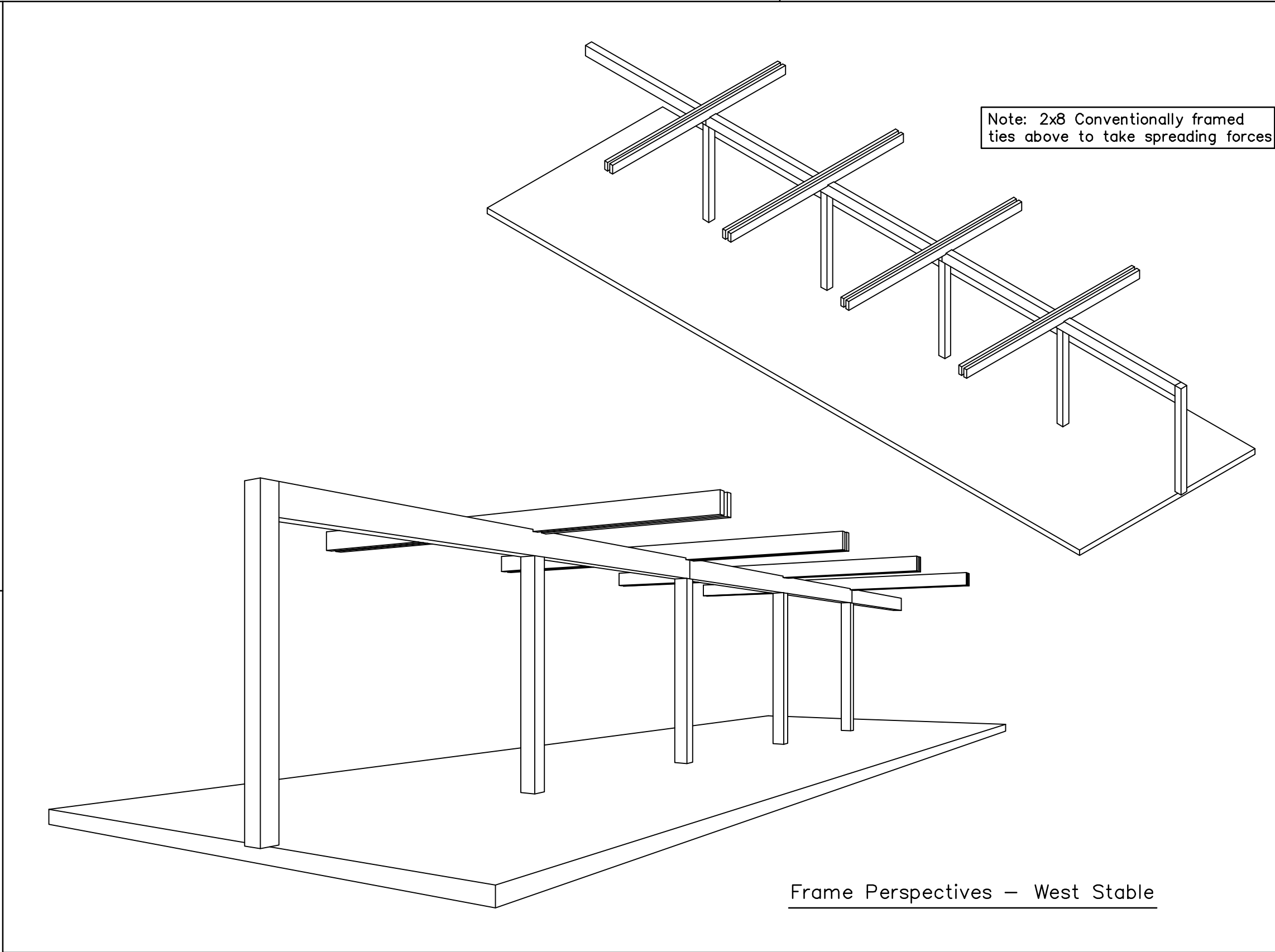
Dufresne-Henry  
 North Springfield, VT  
 802-886-2261  
 802-886-2260 Fax  
 www.dufresne-henry.com

PROJECT: Kenney Stable  
 Martha's Vineyard, MA

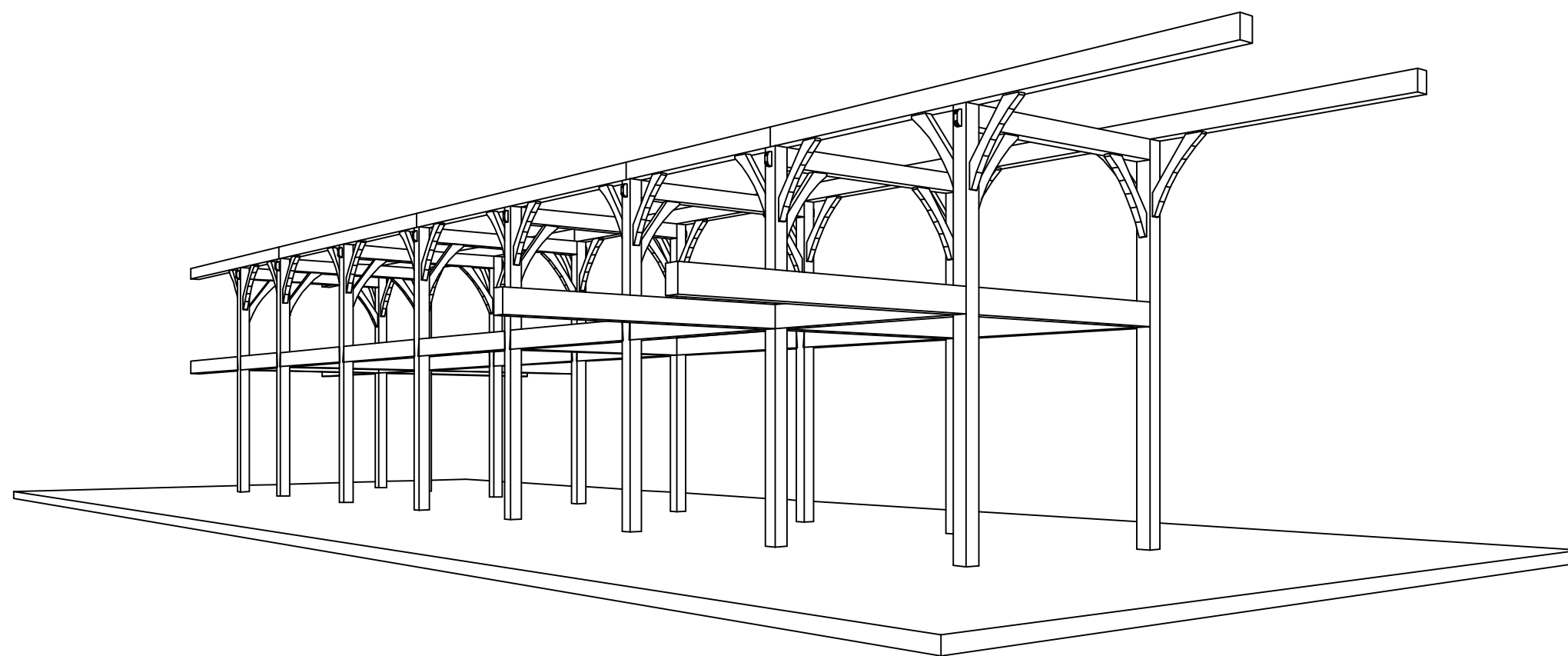
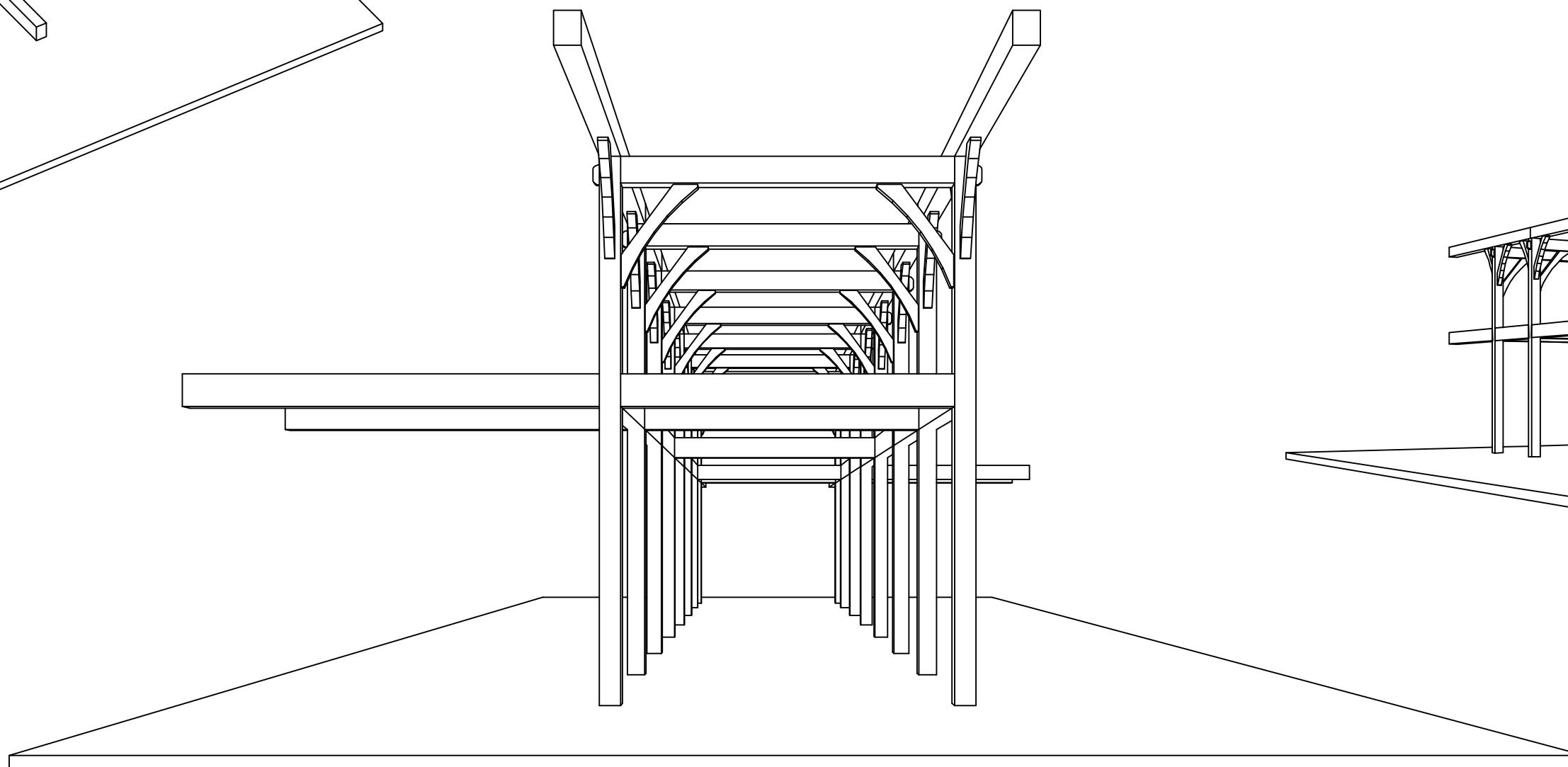
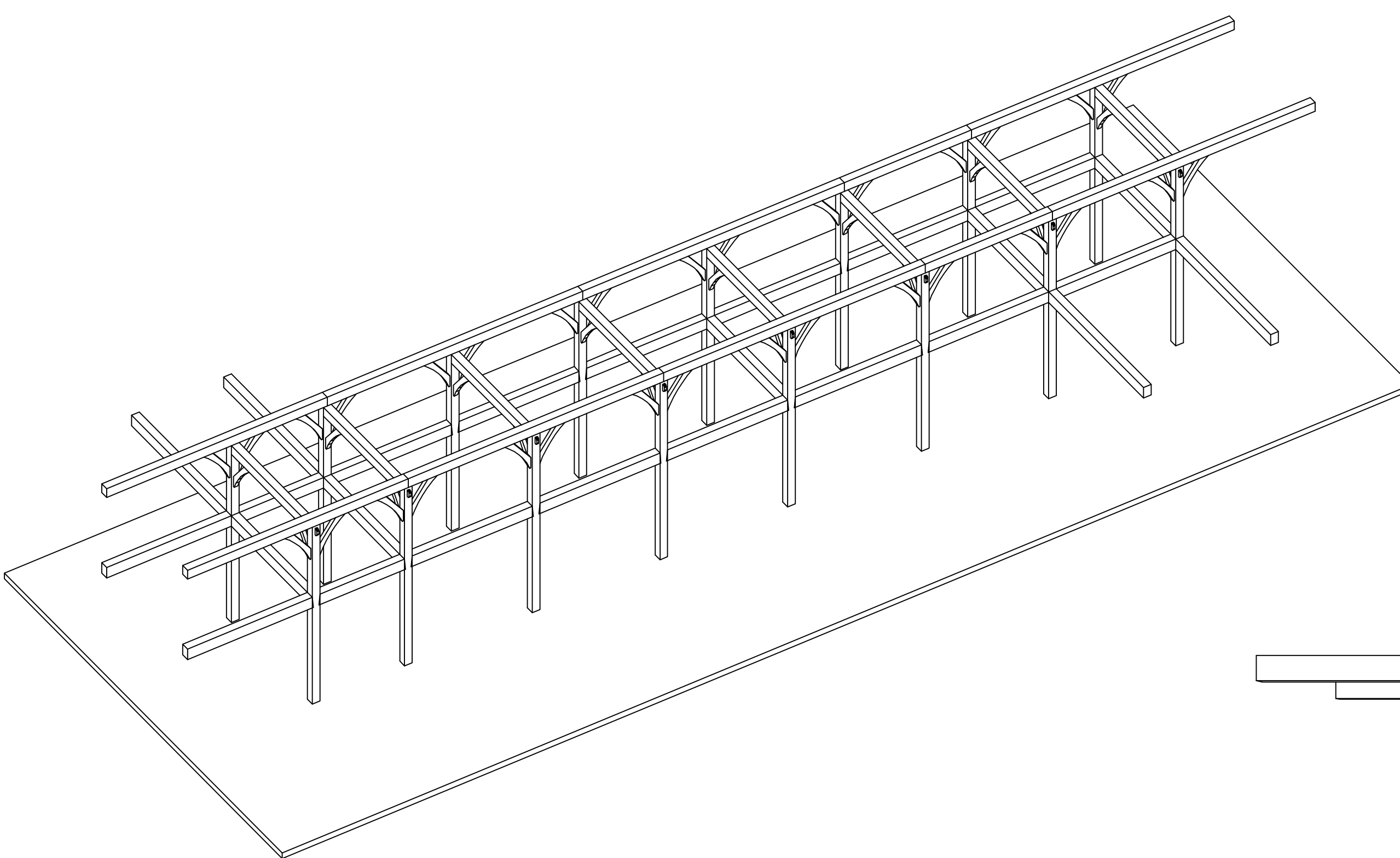
DRAWN : D.F.	CHECKED :
DATE : 12/07/01	
SCALE : 1/4"=1'-0"	
JOB NO. :	
SHEET	
F-1	
OF	SHEETS



Bay Profiles - West Stable



Frame Perspectives - West Stable



Frame Perspectives - South Stable