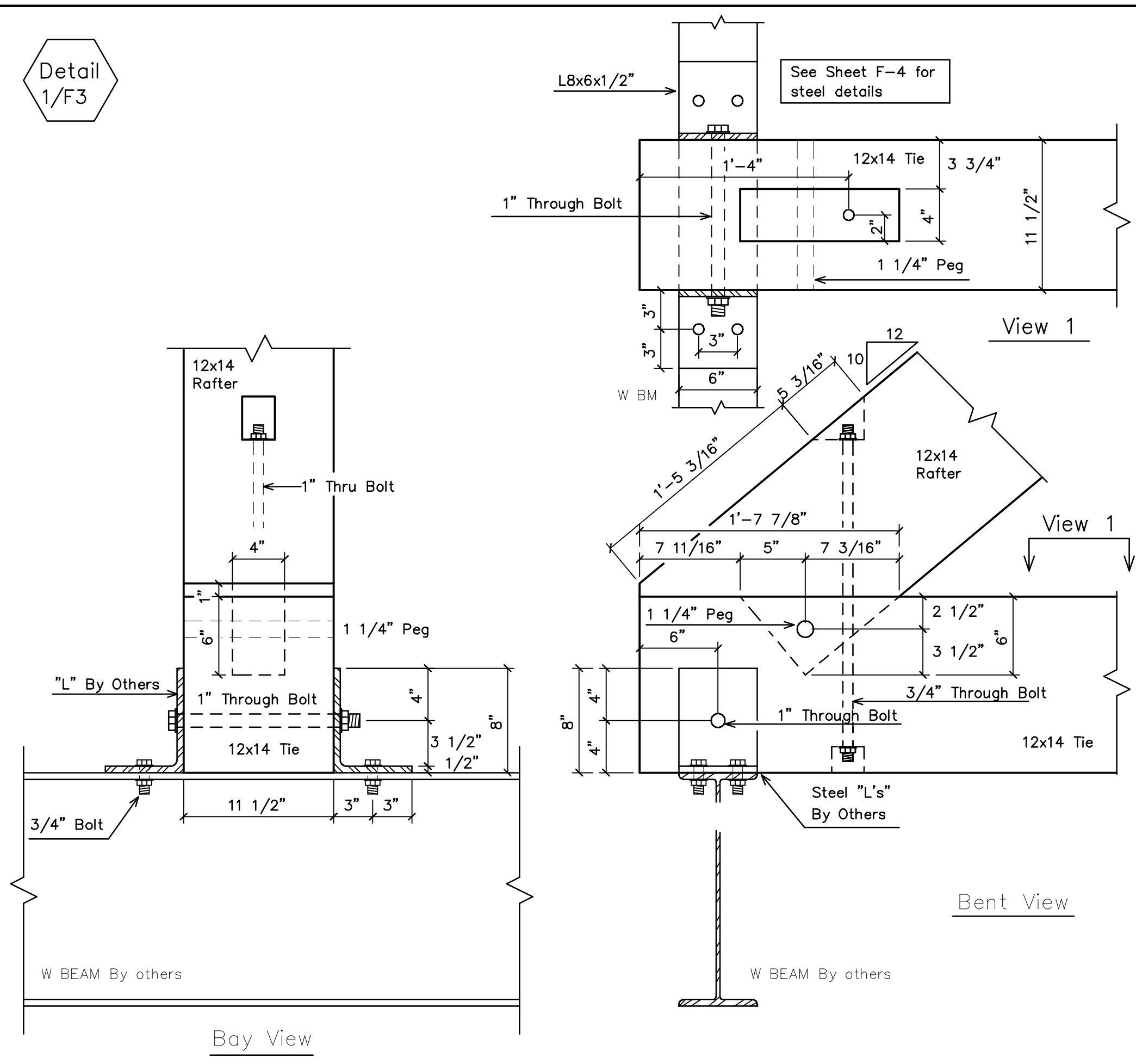
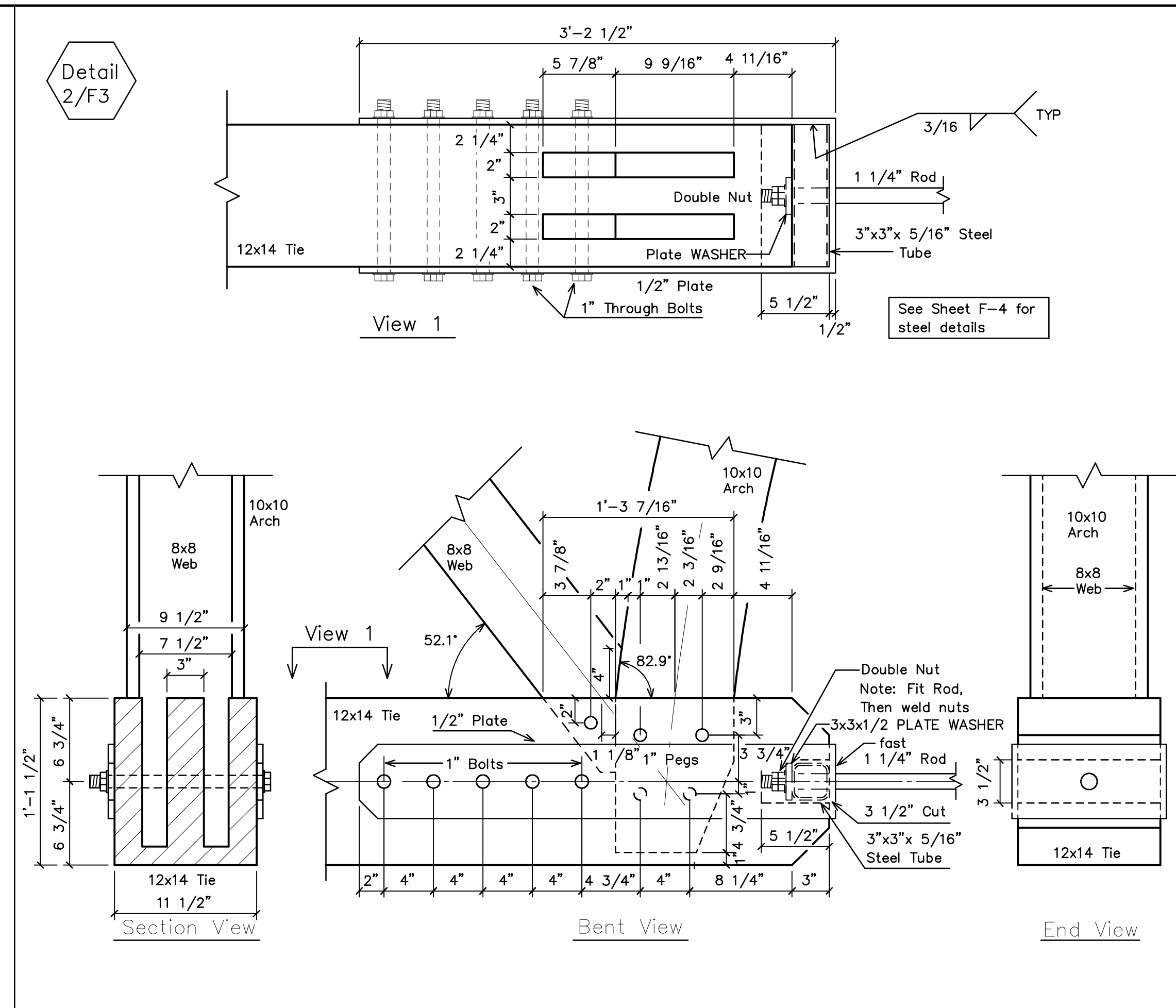


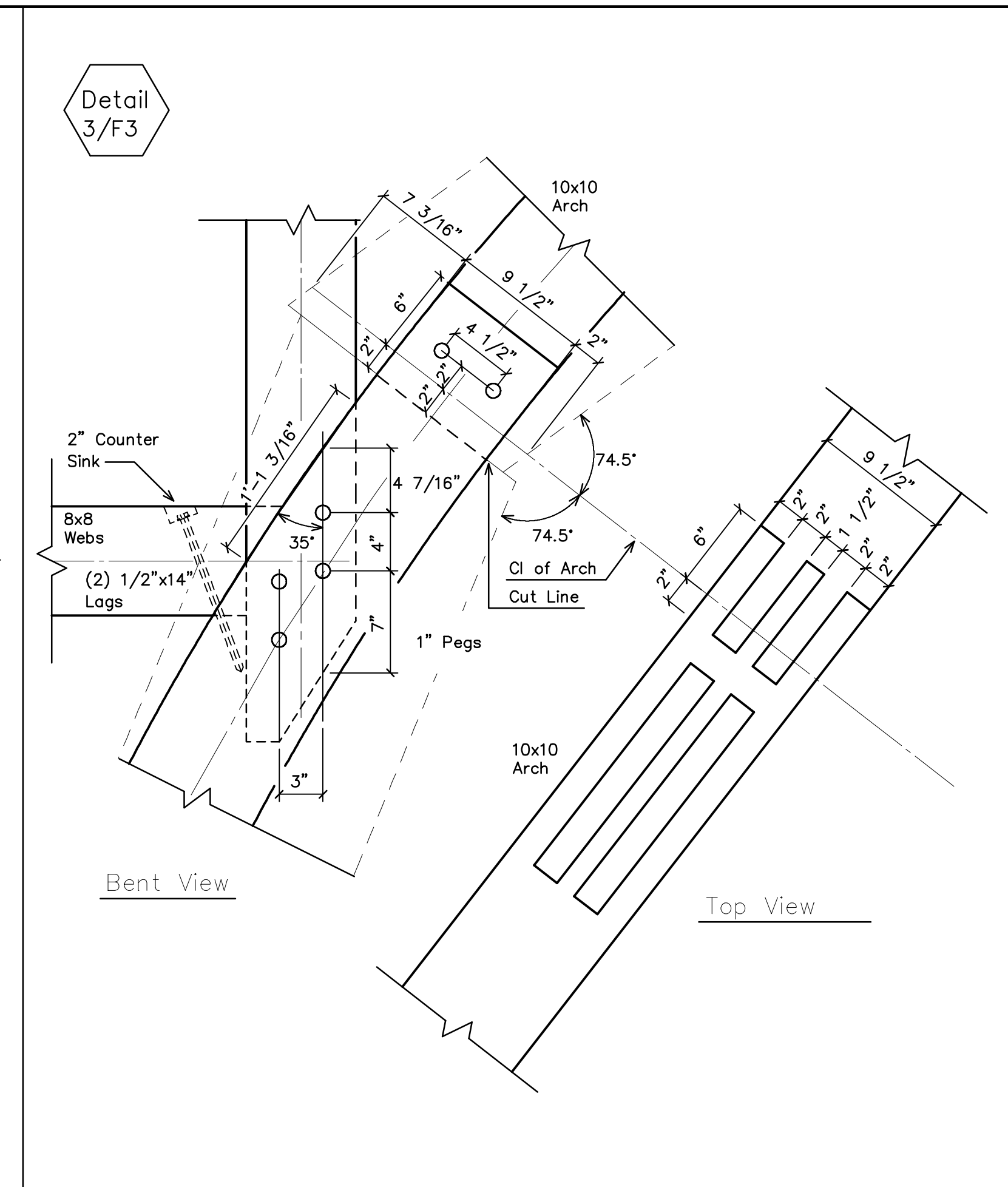
Detail 1/F3



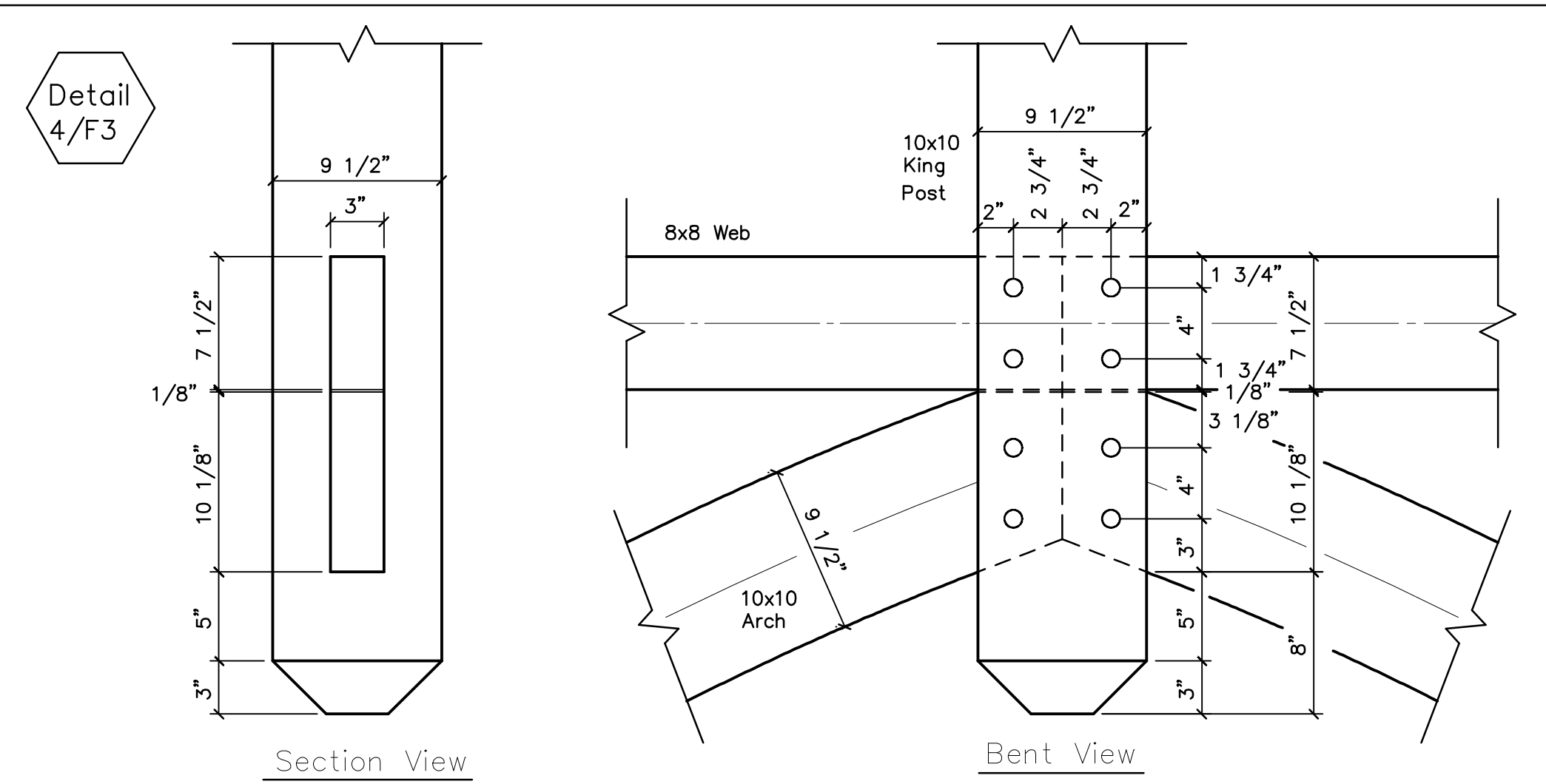
Detail 2/F3



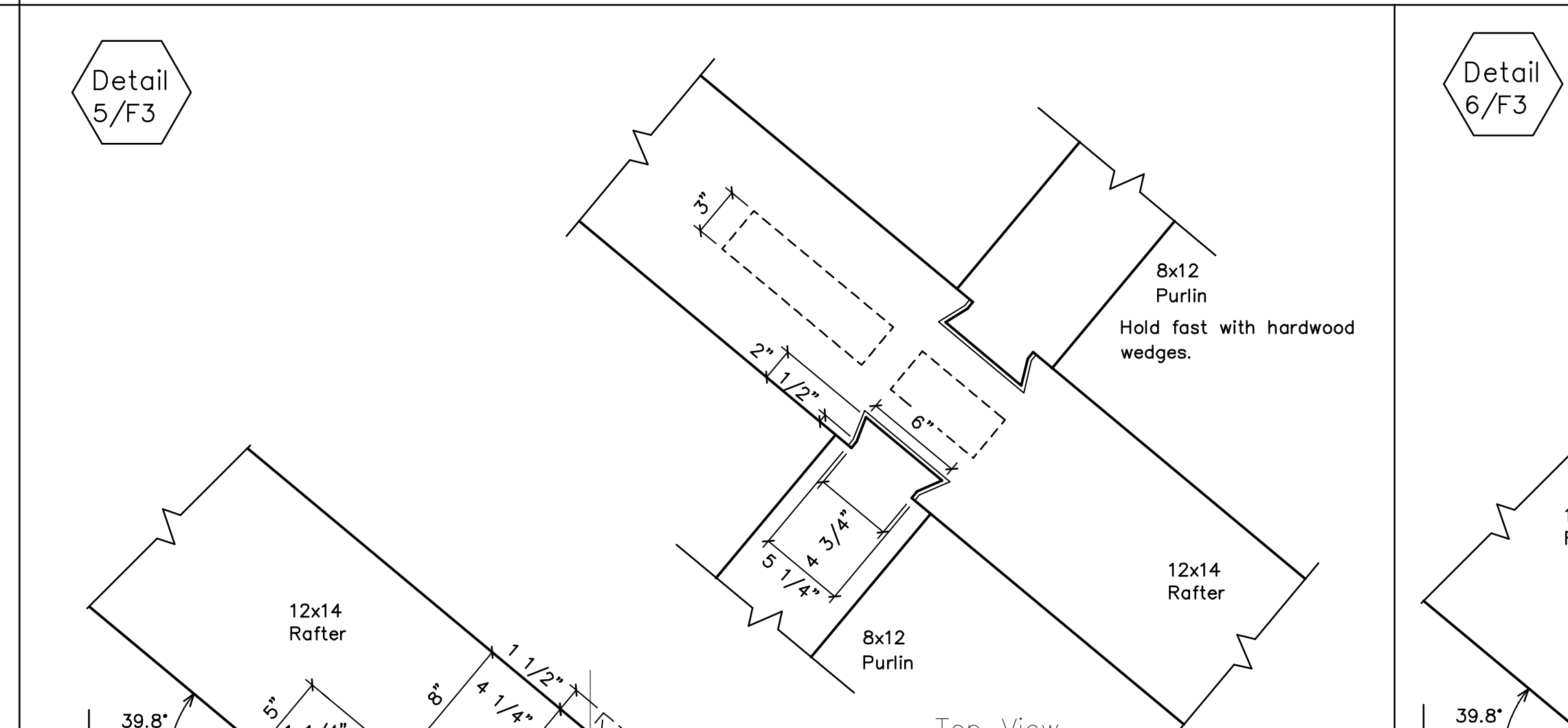
Detail 3/F3



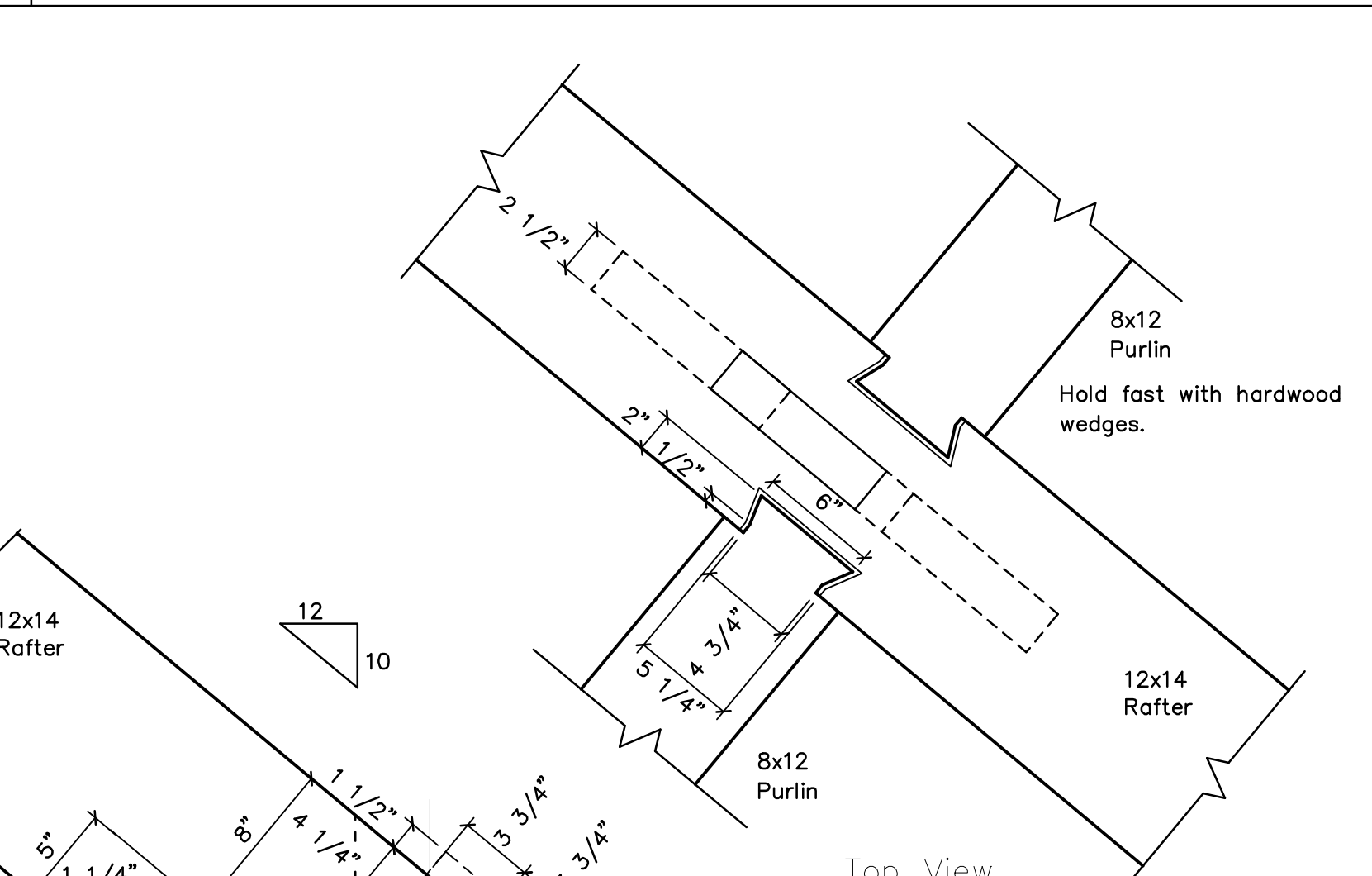
Detail 4/F3



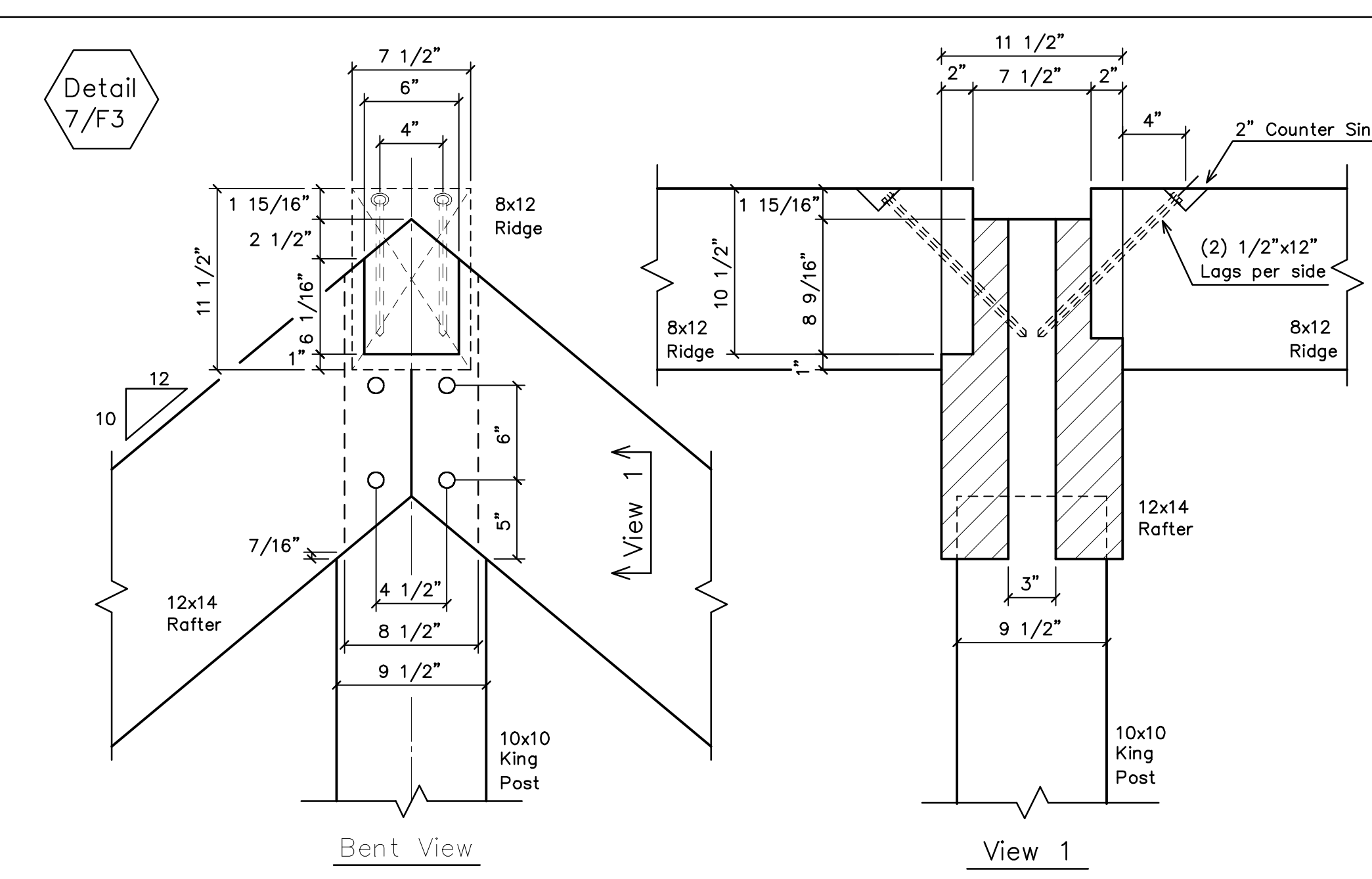
Detail 5/F3



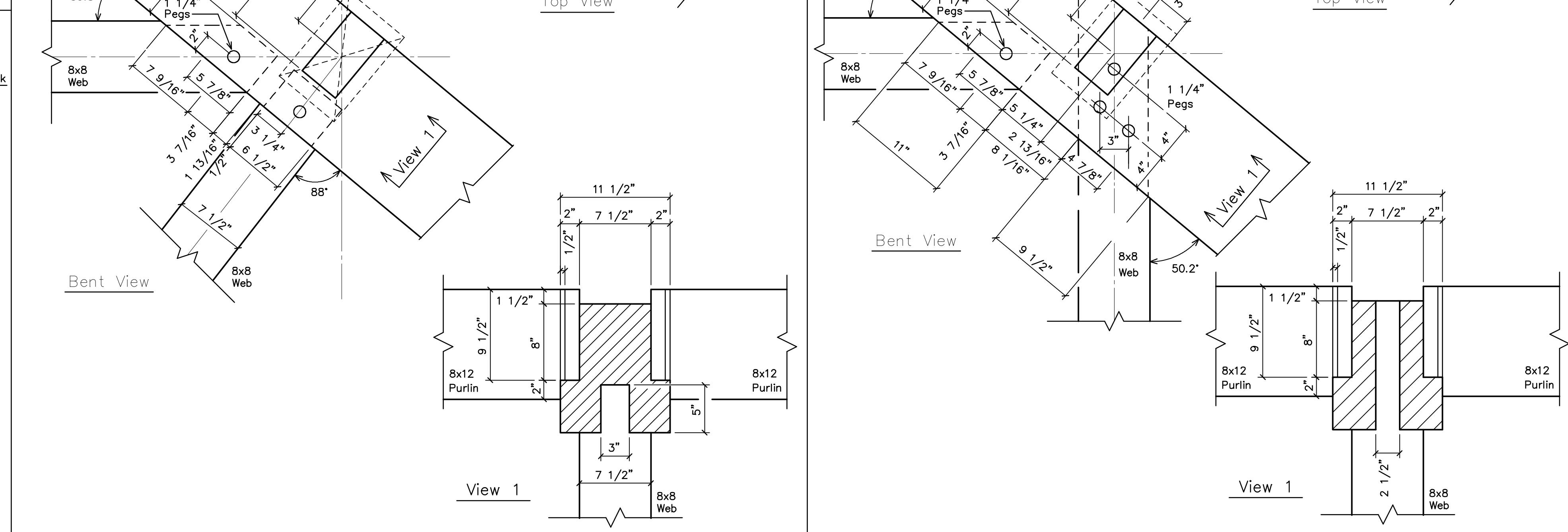
Detail 6/F3



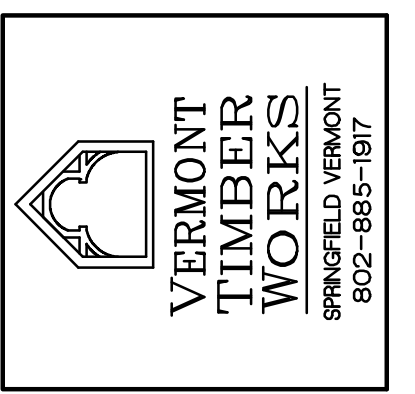
Detail 7/F3



Detail 8/F3



REVISIONS	BY
2/4/02	
2/7/02	



SHOP DRAWINGS
DETAILS

Dufresne-Henry
North Springfield, VT
802-886-2261 Fax
802-886-2260
www.dufresne-henry.com

PROJECT: Immaculate Conception Church
Nasua, New Hampshire

DRAWN : D.F.	CHECKED :
DATE : 1/8/02	
SCALE : 1 1/2"=1'-0"	
JOB NO. :	
SHEET	
F-3	
OF	SHEETS