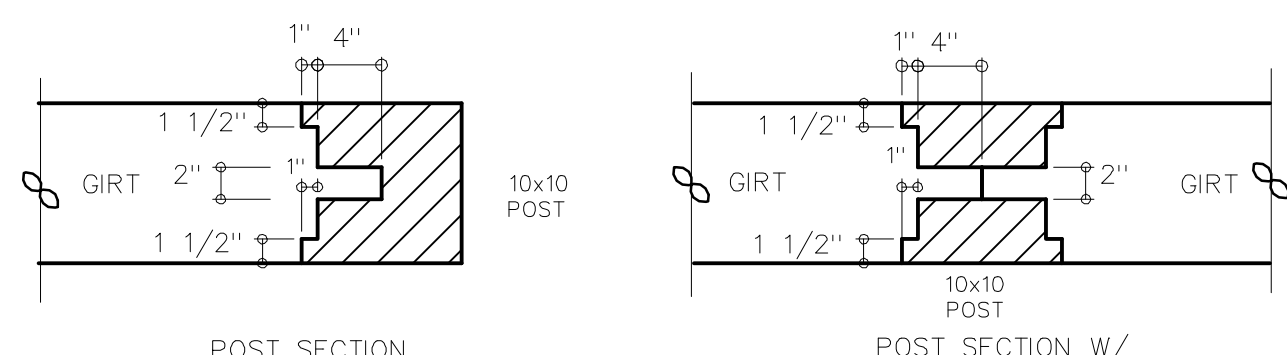
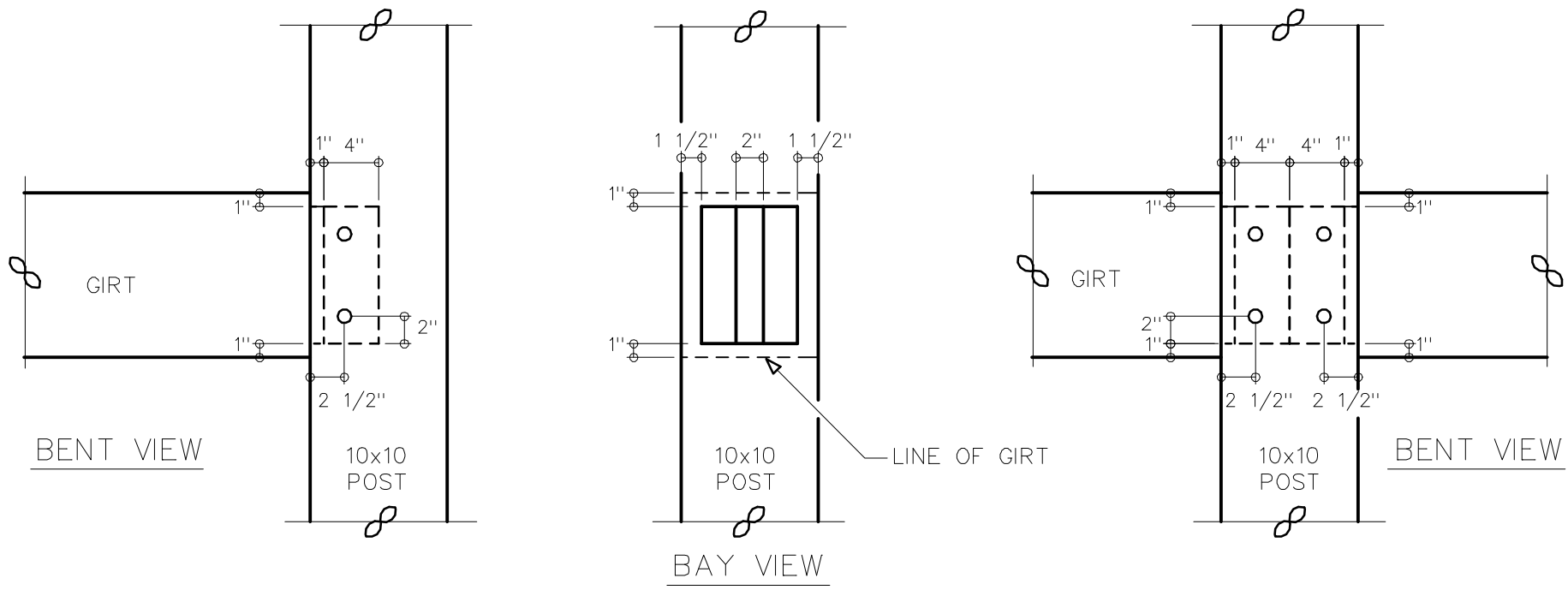


UPPER GIRT & POST CONNECTION
DETAIL #1

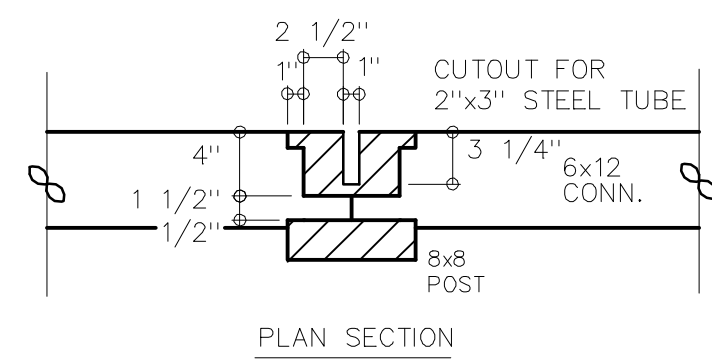


POST SECTION
W/ ONE GIRT

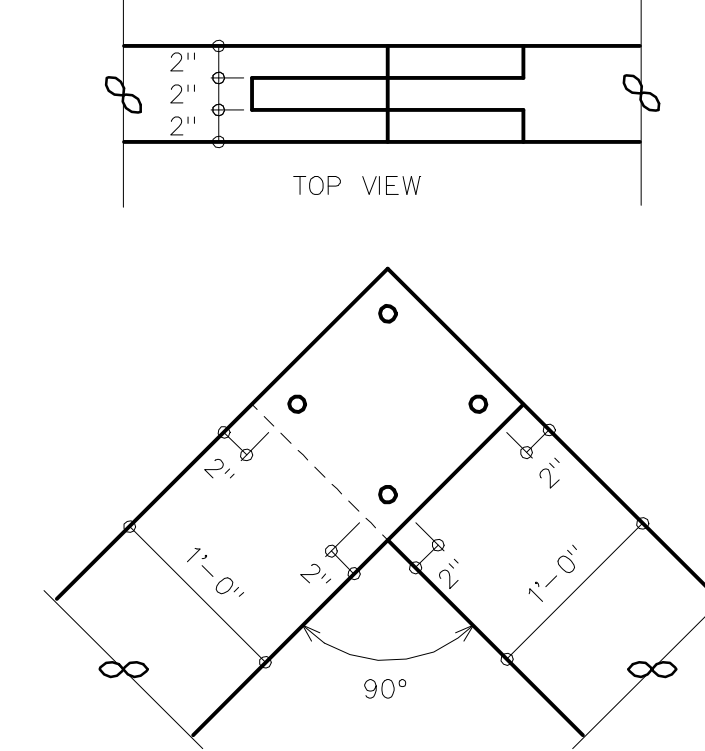
POST SECTION W/
TWO GIRTS



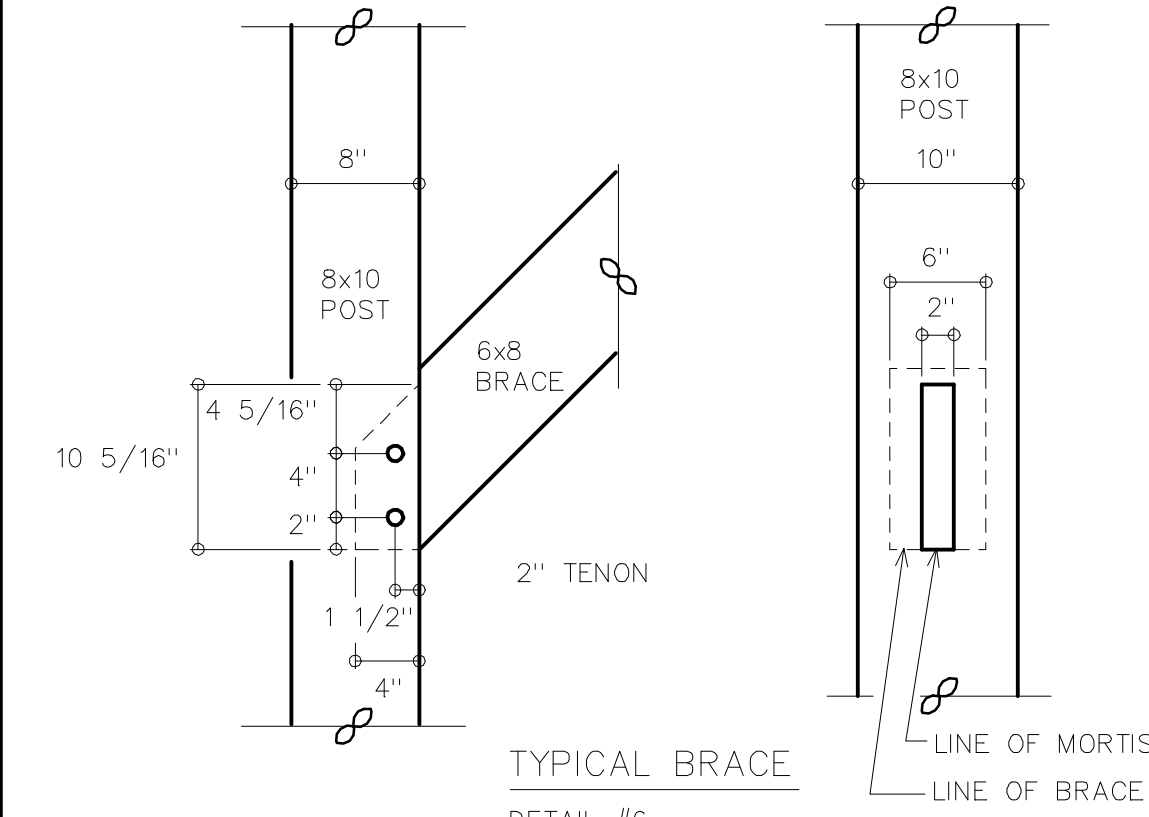
TYPICAL SHOULDERED
TENONS
DETAIL #2



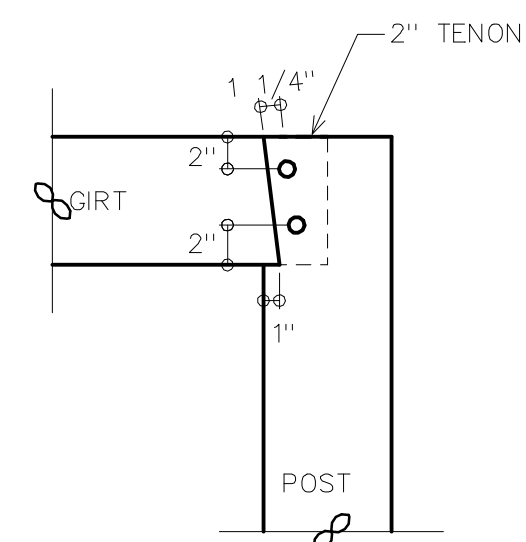
PLAN SECTION



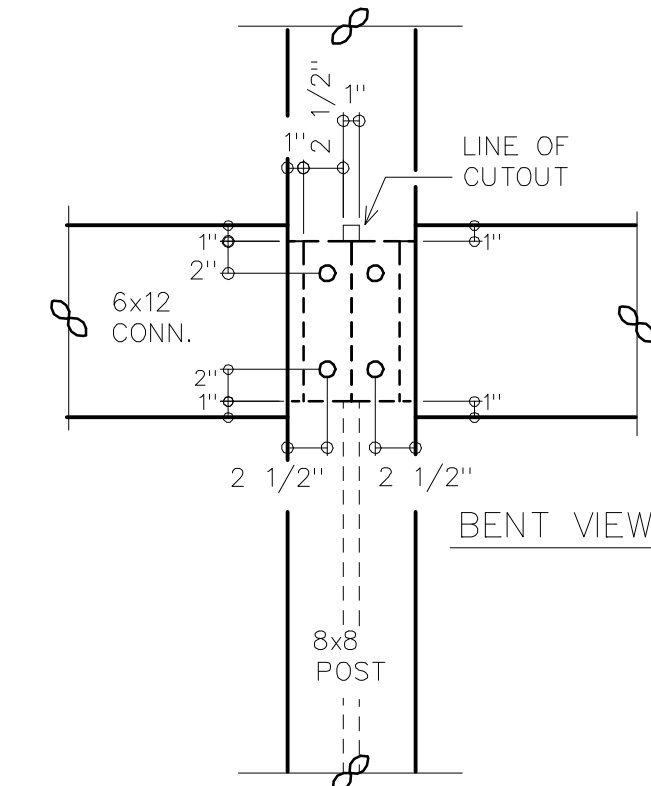
SIDE VIEW
RAFTER TONGUE & FORK
DETAIL #4



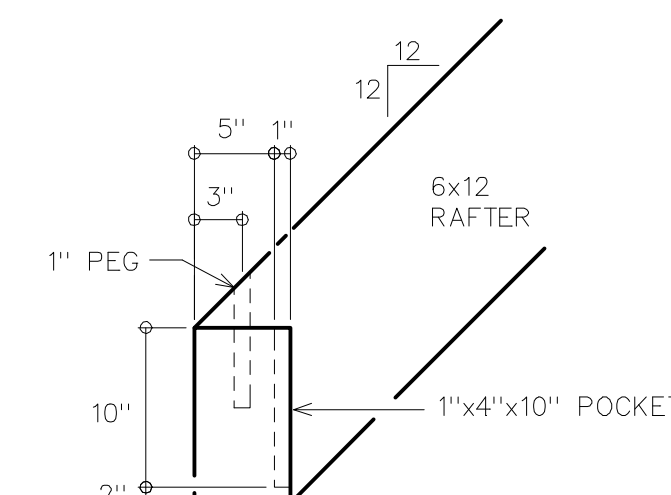
TYPICAL BRACE
DETAIL #6



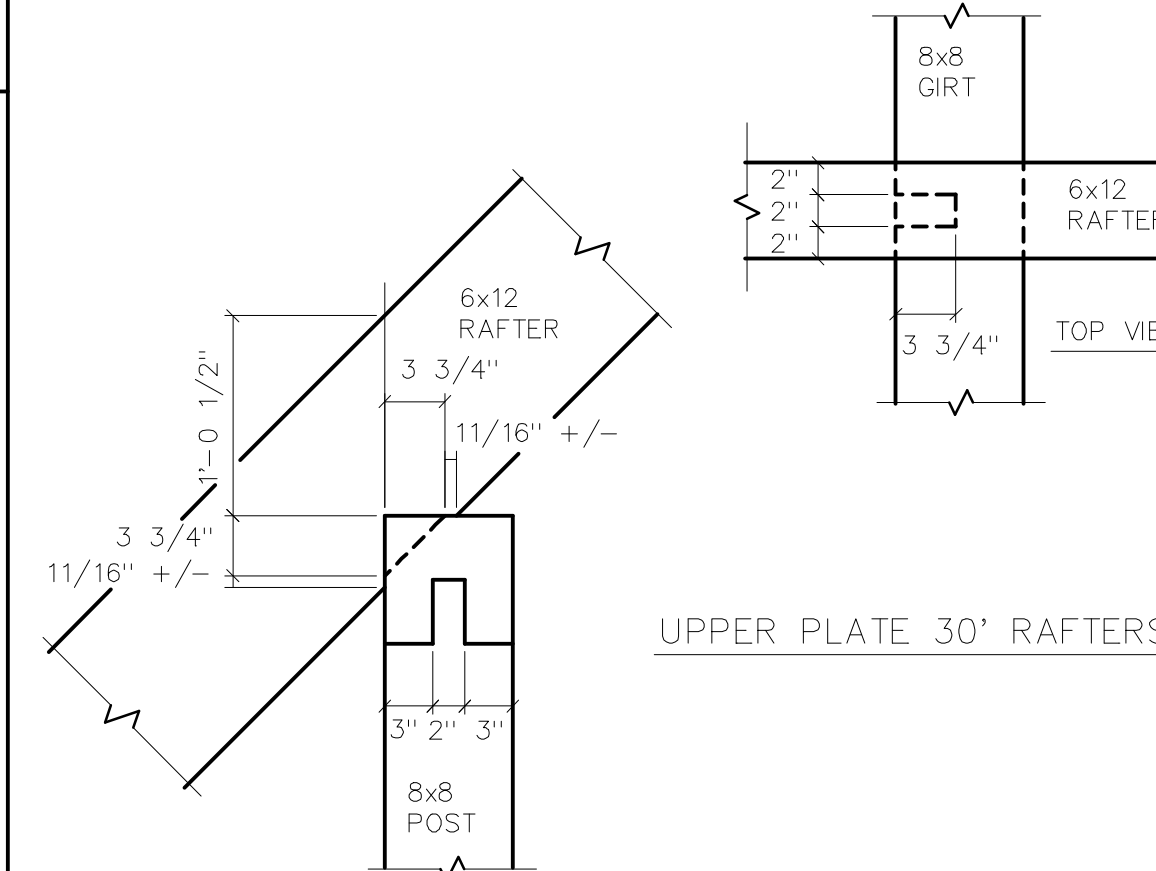
TYPICAL SHOULDERED
TENON DETAIL
DETAIL #12



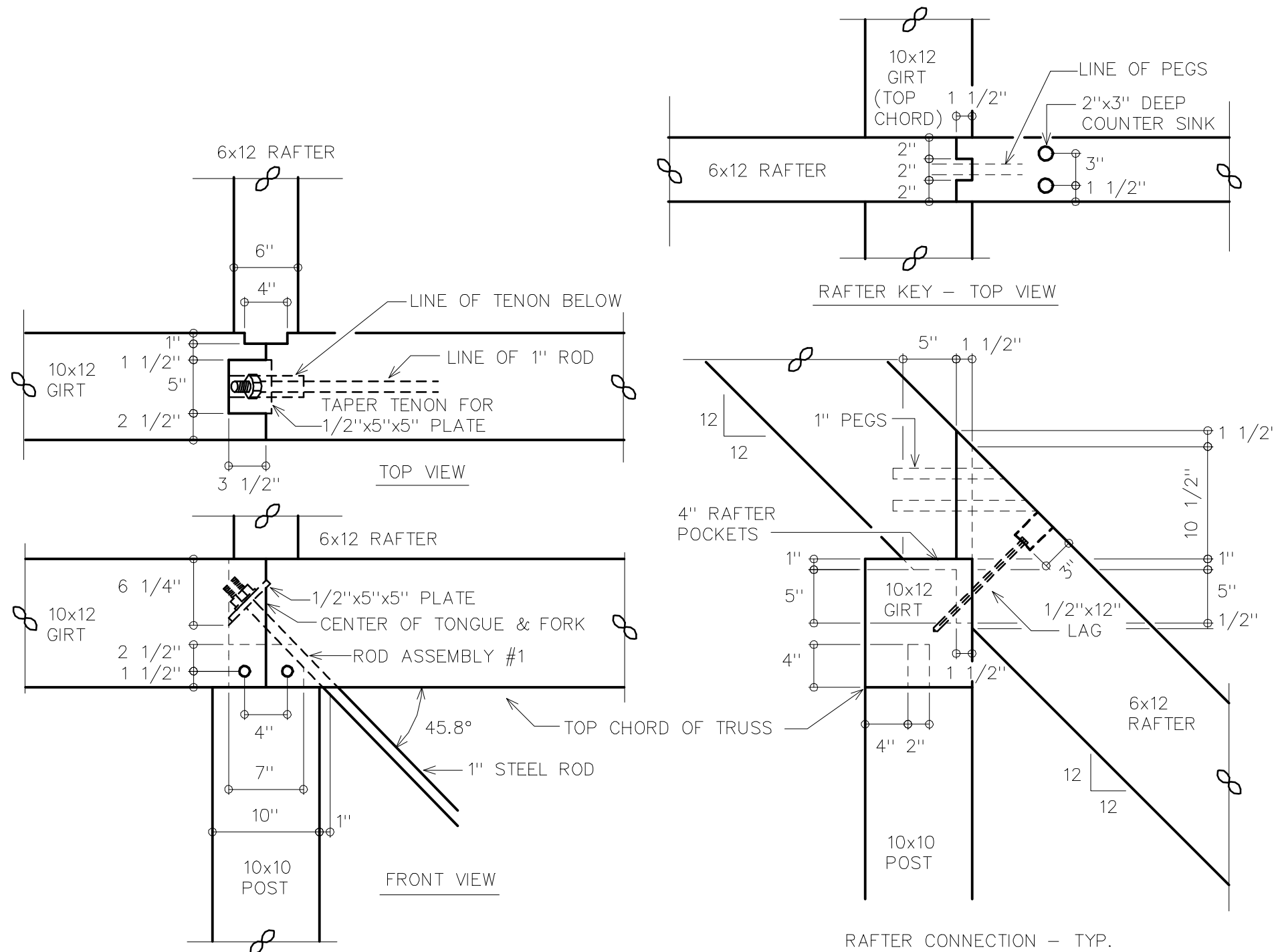
8x8 POST SECTION
W/ CONNECTOR
DETAIL #3



RAFTER AT 6x12 CONNECTOR
DETAIL #5

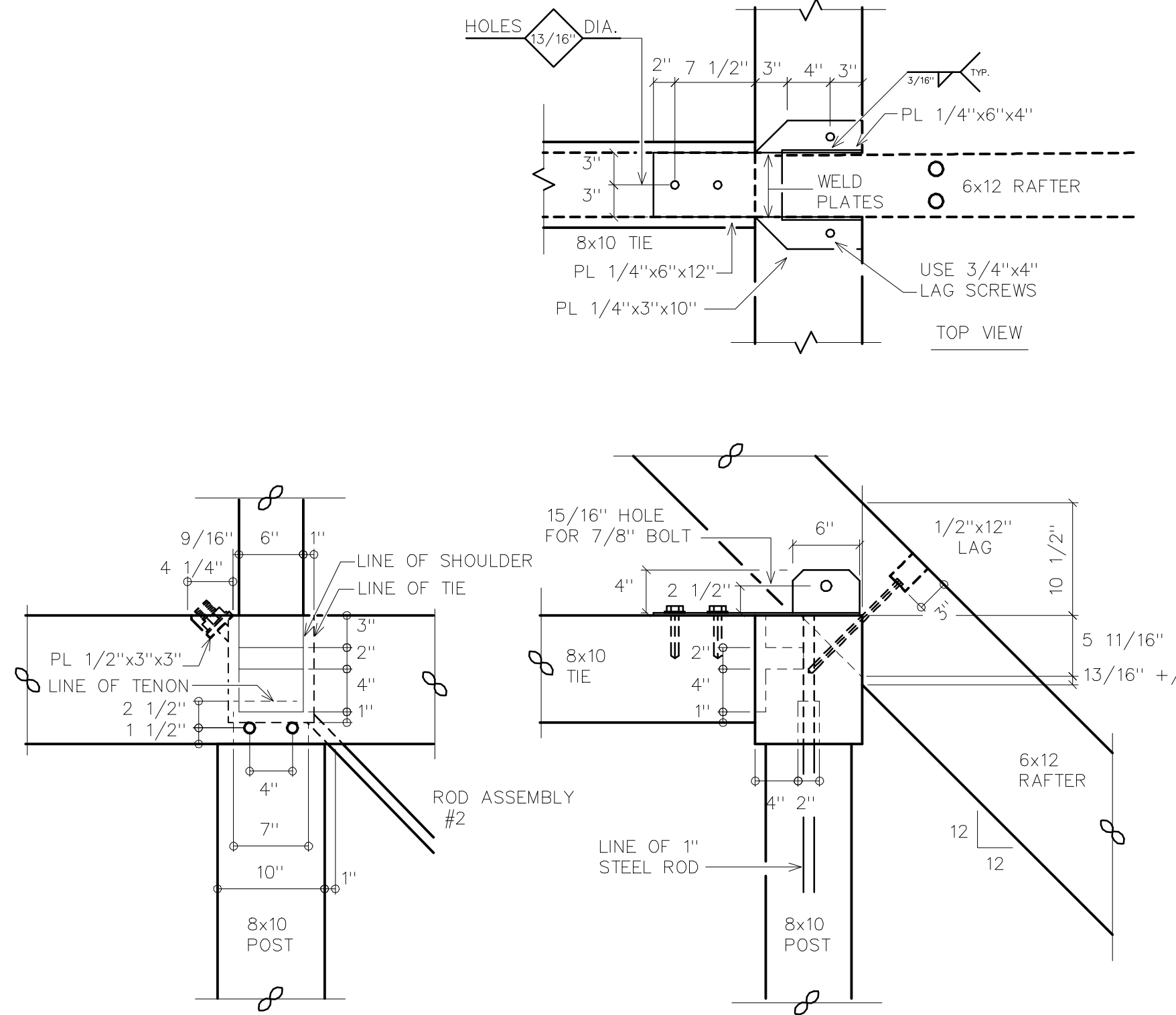


UPPER PLATE 30' RAFTERS

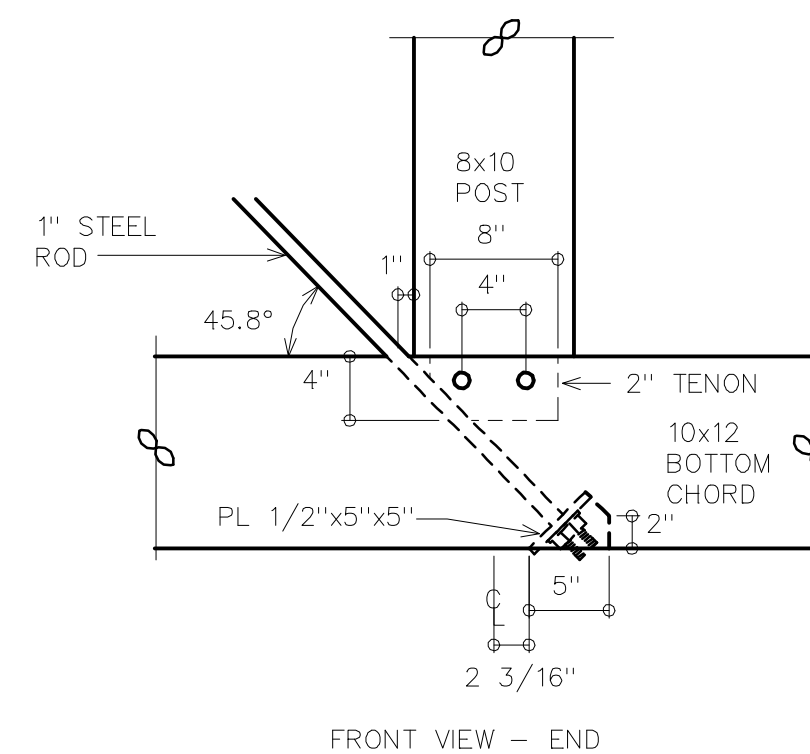


END TRUSS CONNECTION
DETAIL #7

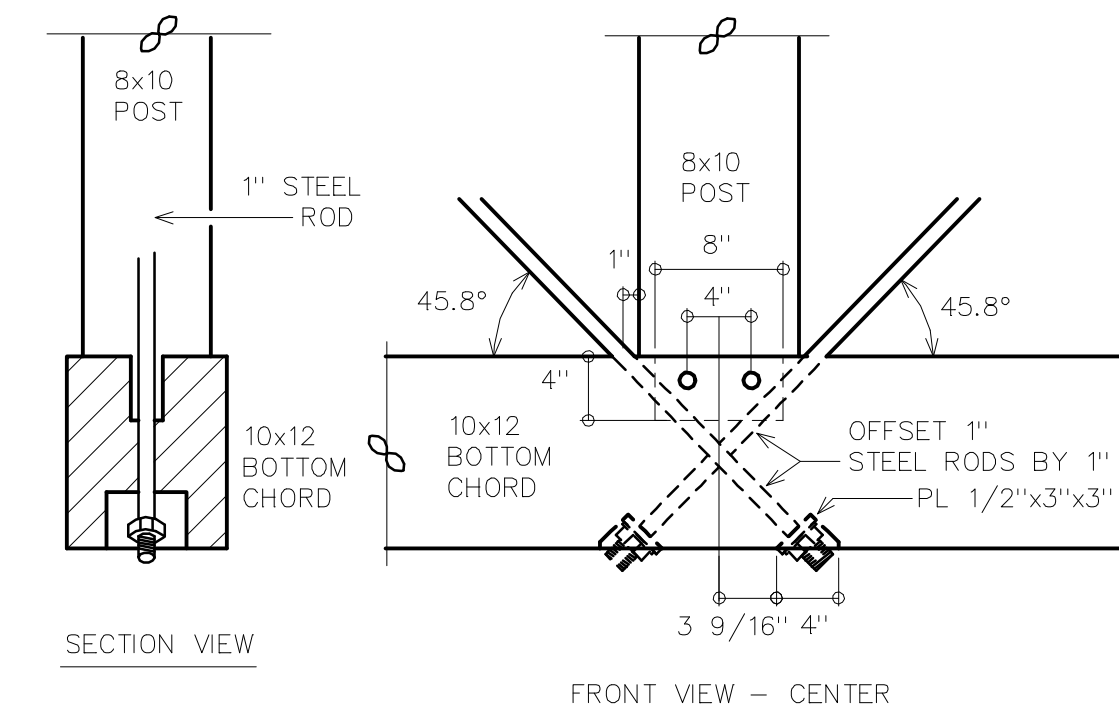
RAFTER CONNECTION - TYP.



CENTER TRUSS CONNECTION
DETAIL #8

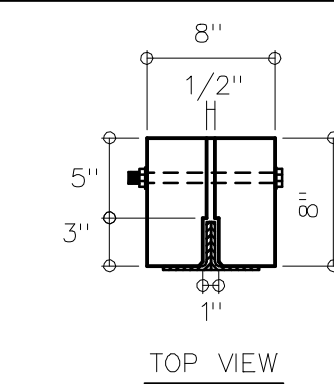


FRONT VIEW - END

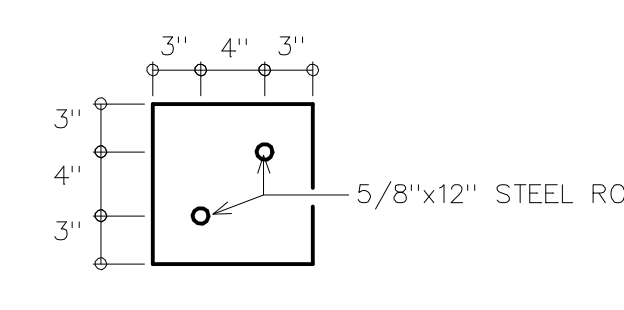


FRONT VIEW - CENTER

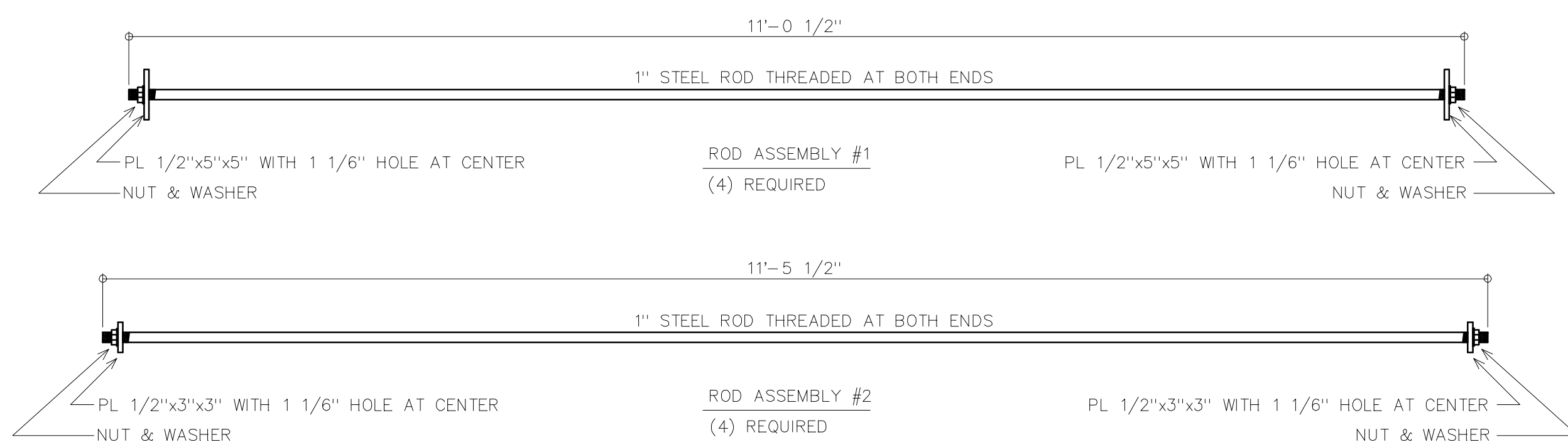
1" STEEL ROD CONNECTIONS
DETAIL #9



TOP VIEW

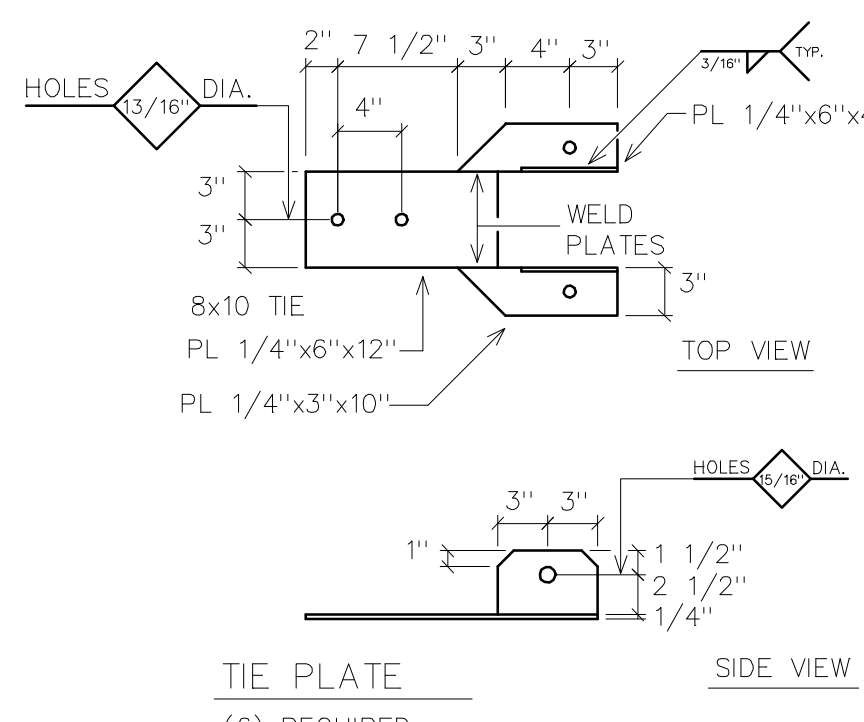


TOP VIEW

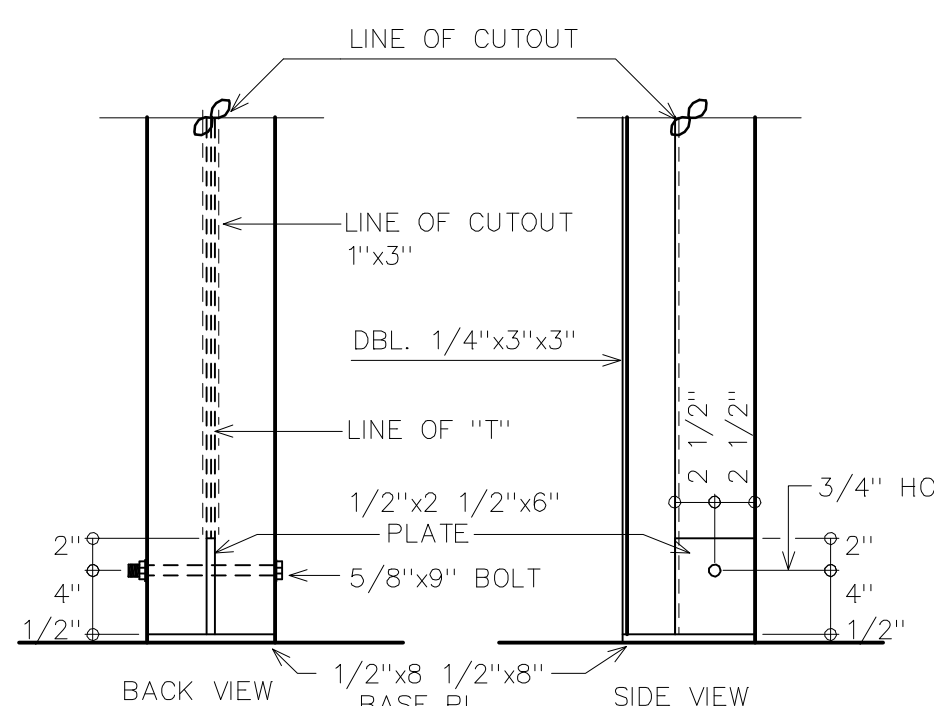


ROD ASSEMBLY #1
(4) REQUIRED

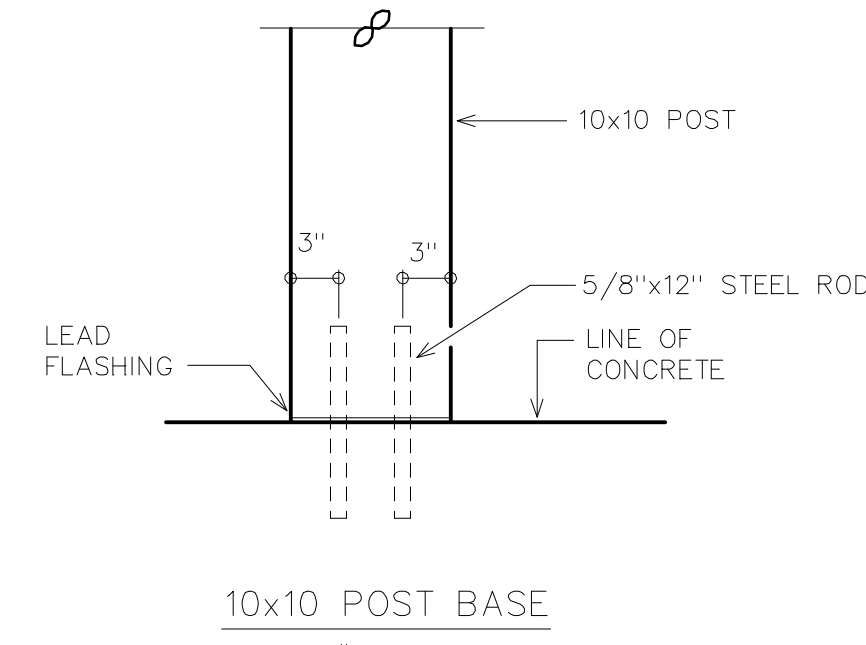
ROD ASSEMBLY #2
(4) REQUIRED



TIE PLATE
(6) REQUIRED

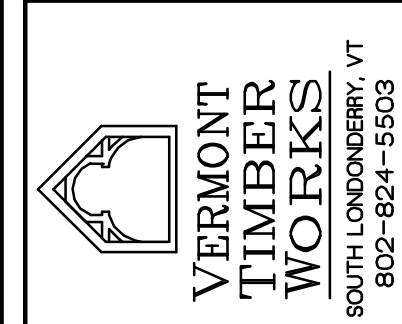


8x8 POST BASE
DETAIL #10



10x10 POST BASE
DETAIL #11

REVISIONS	BY



SHOP DRAWINGS
JOINT DETAILS

ARCH: BEAUDIN & ASSOCIATES
ENG: DUPRESNE & HENRY
G.C.: PROFESSIONAL CONSTRUCTION

PROJECT:
VERMONT VETERANS
MEMORIAL CHAPEL
RANDOLPH, VERMONT

DRAWN : D.F.	CHECKED :
DATE : 8/10/98	
SCALE : 1"=1'-0"	
JOB NO. :	
SHEET	
F-4	
OF SHEETS	