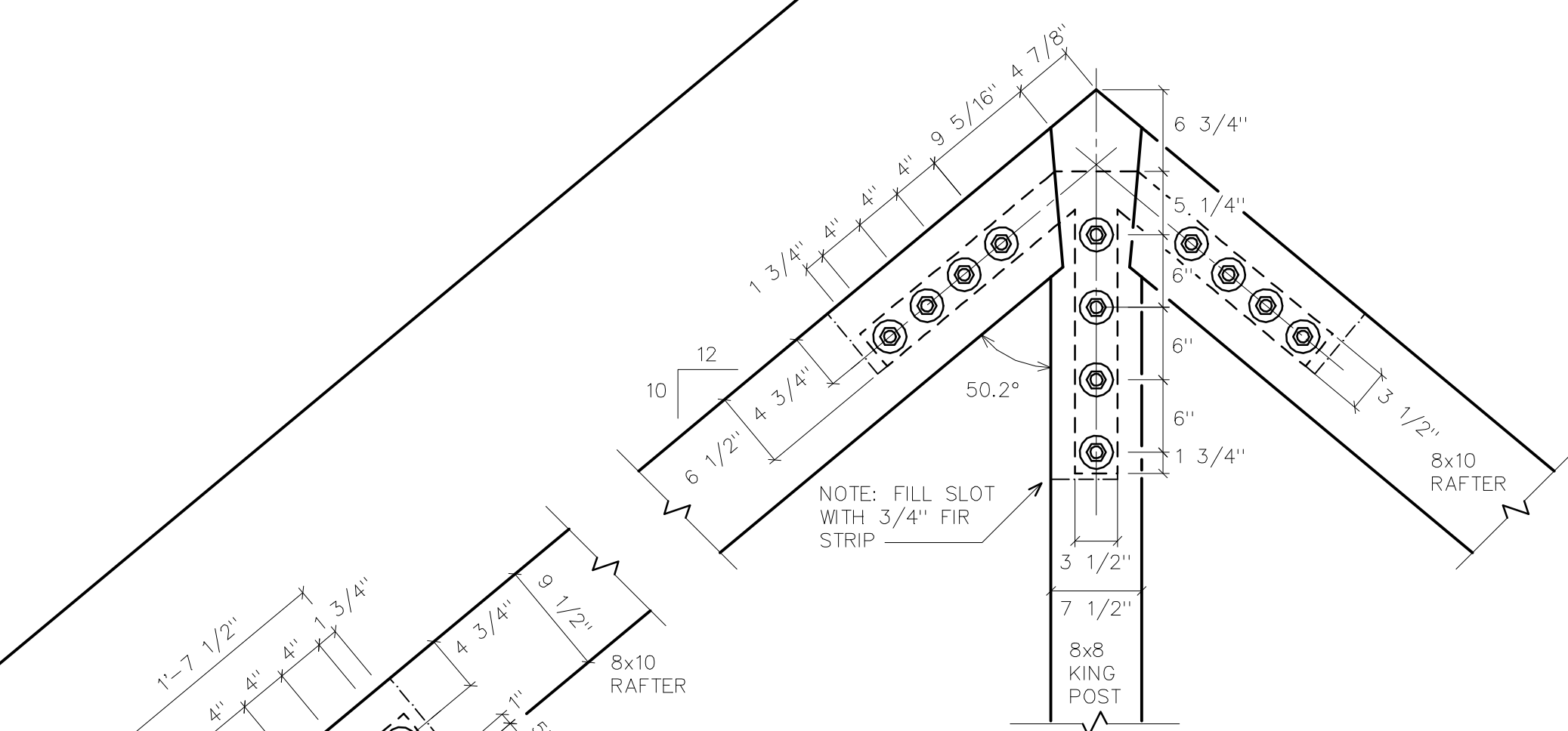
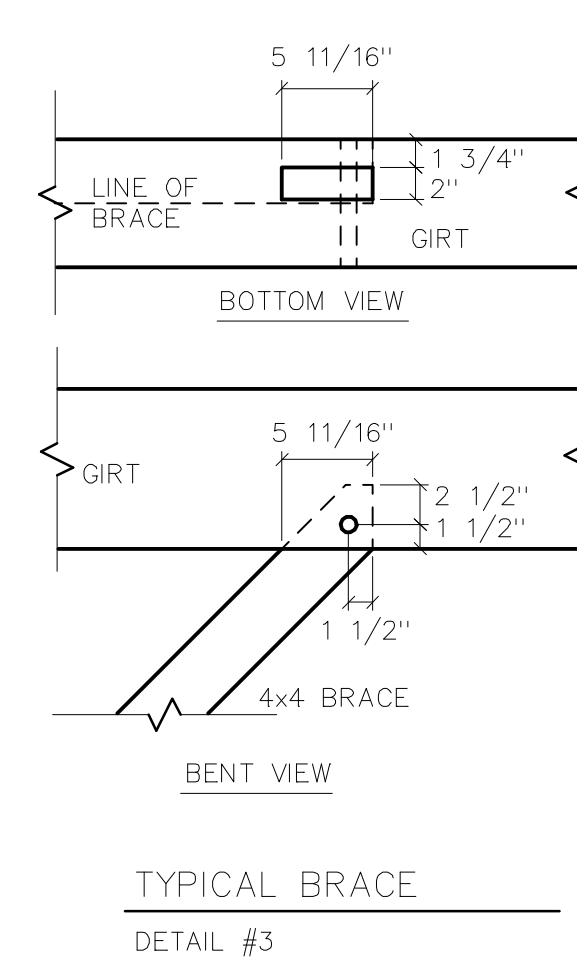
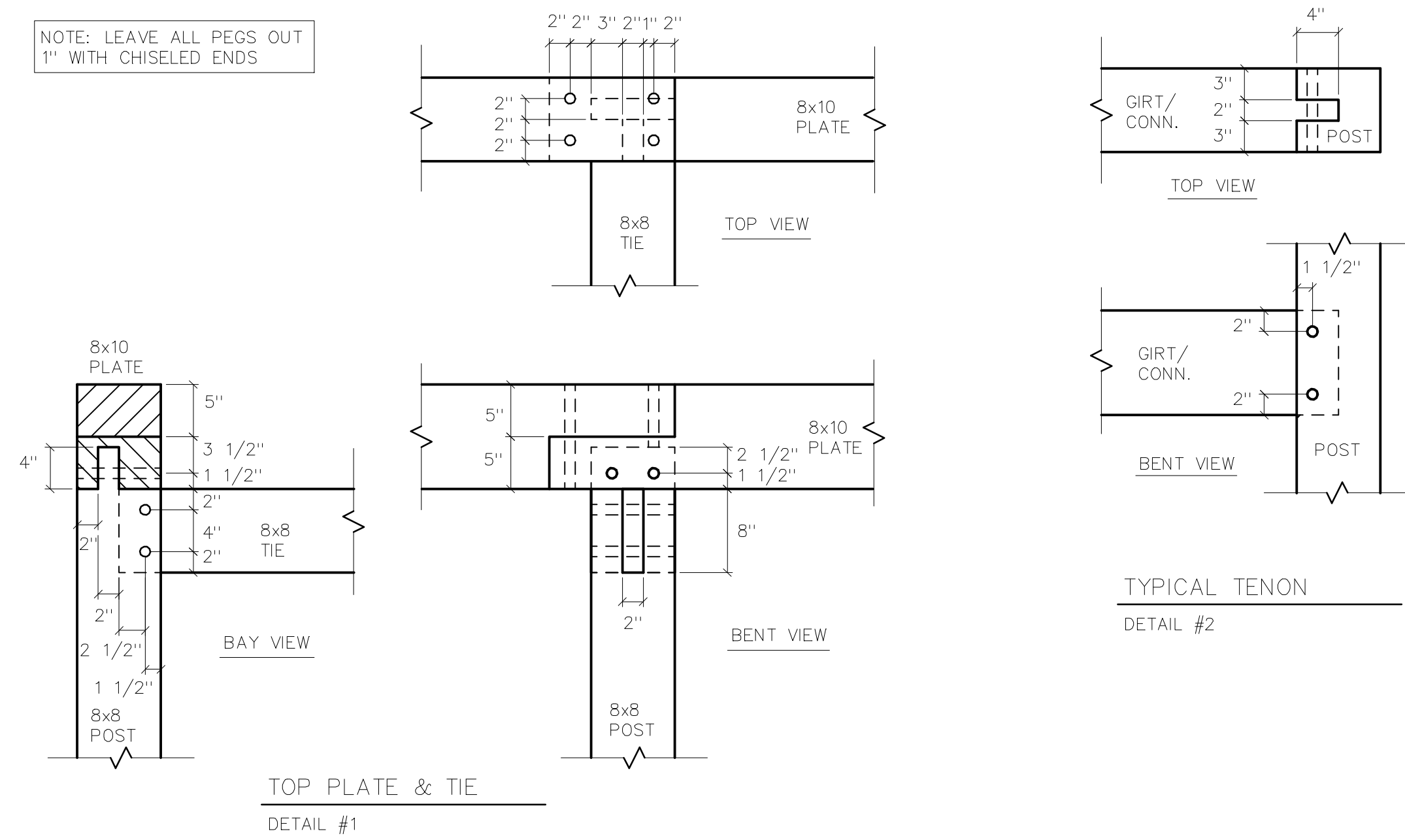
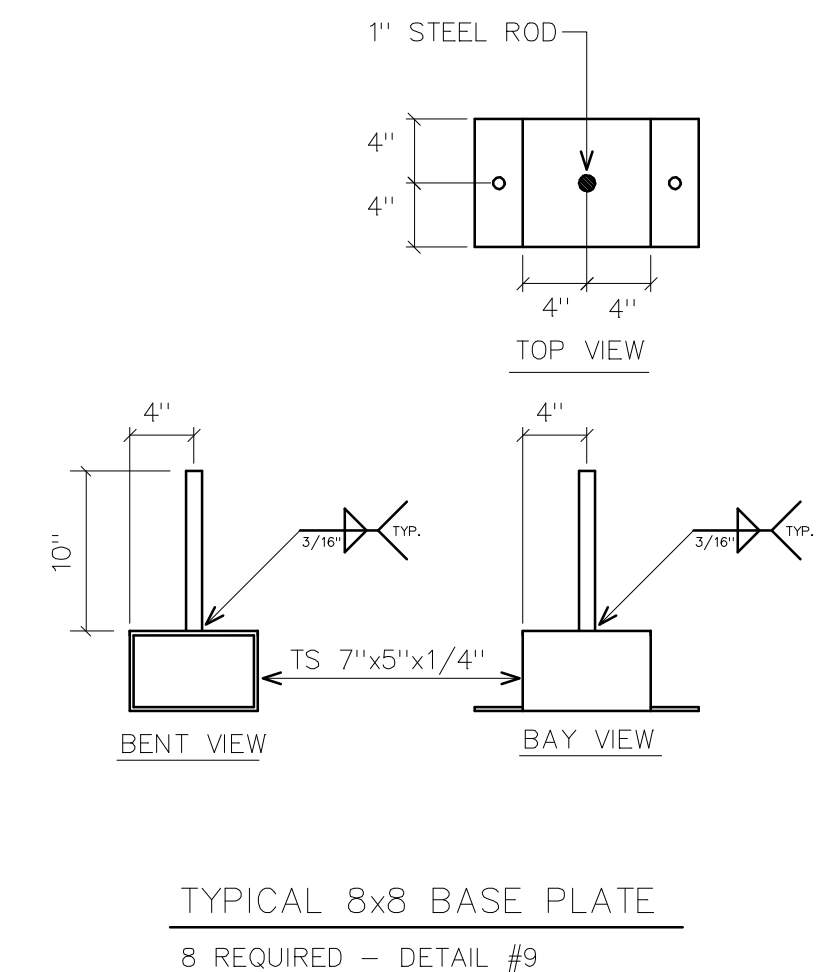
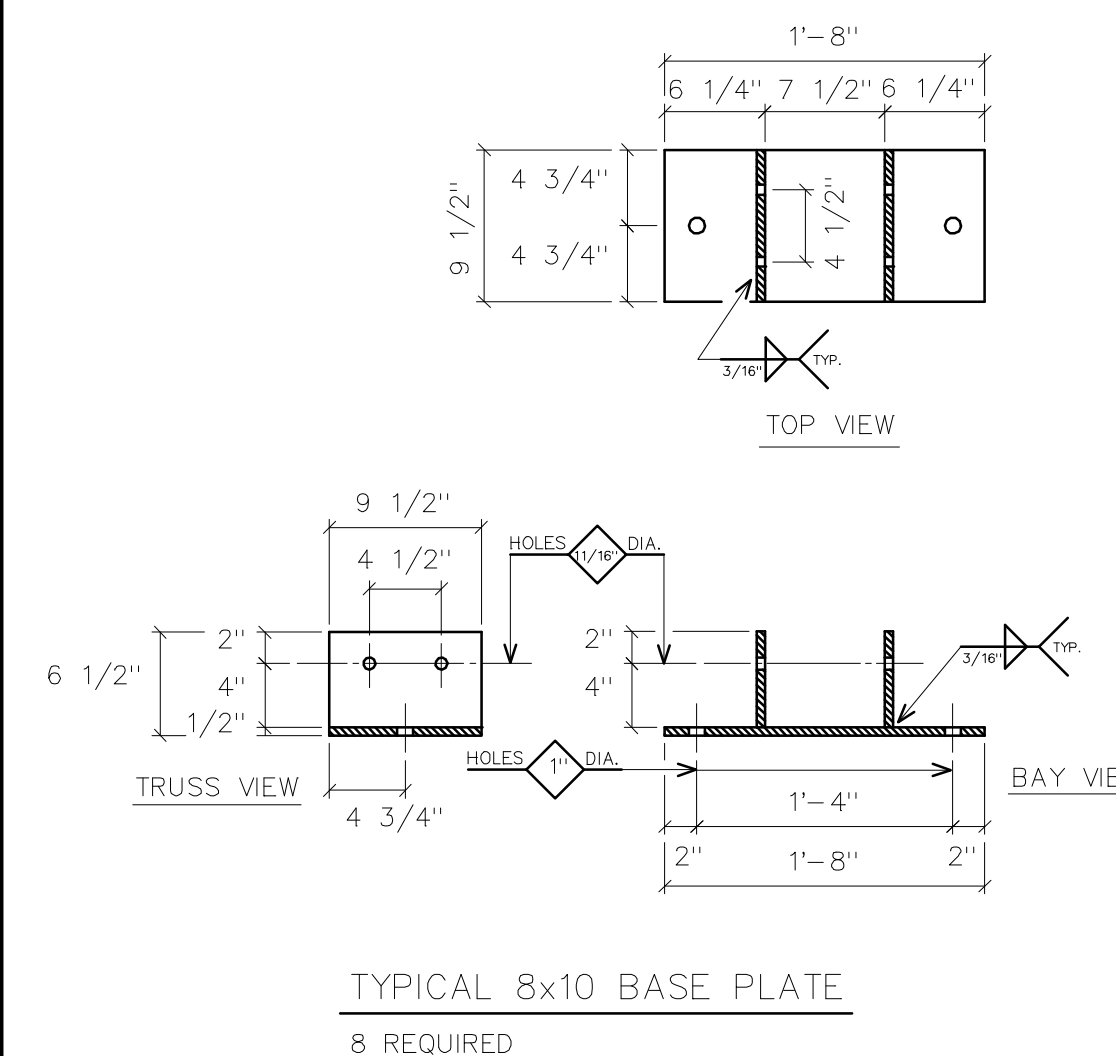
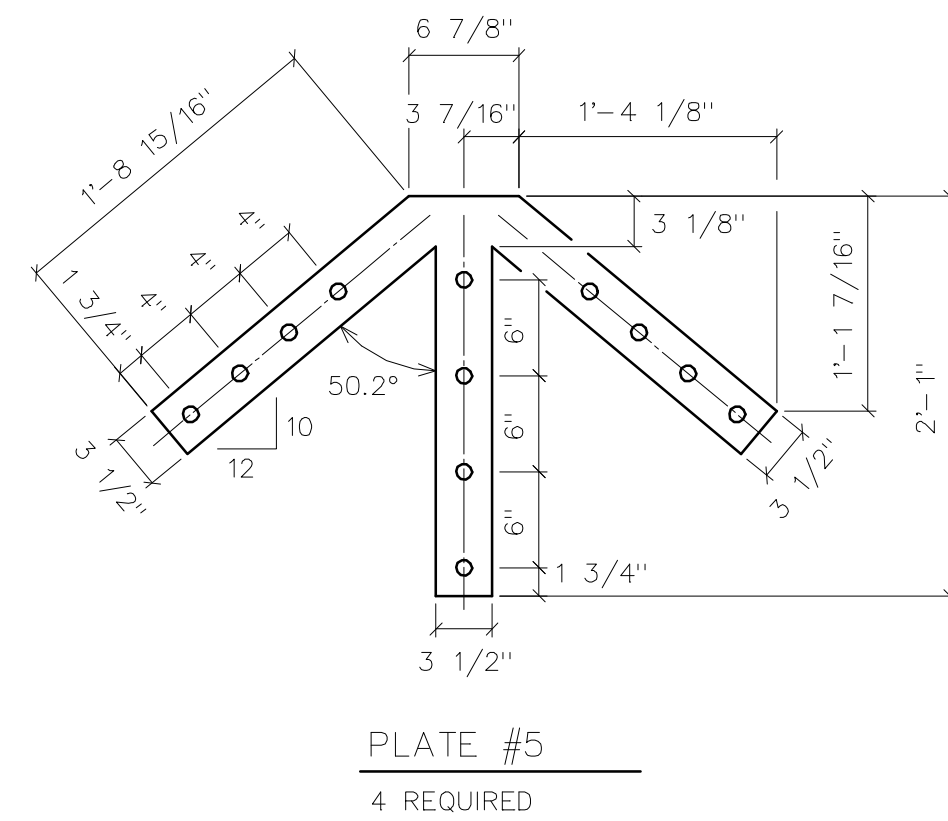
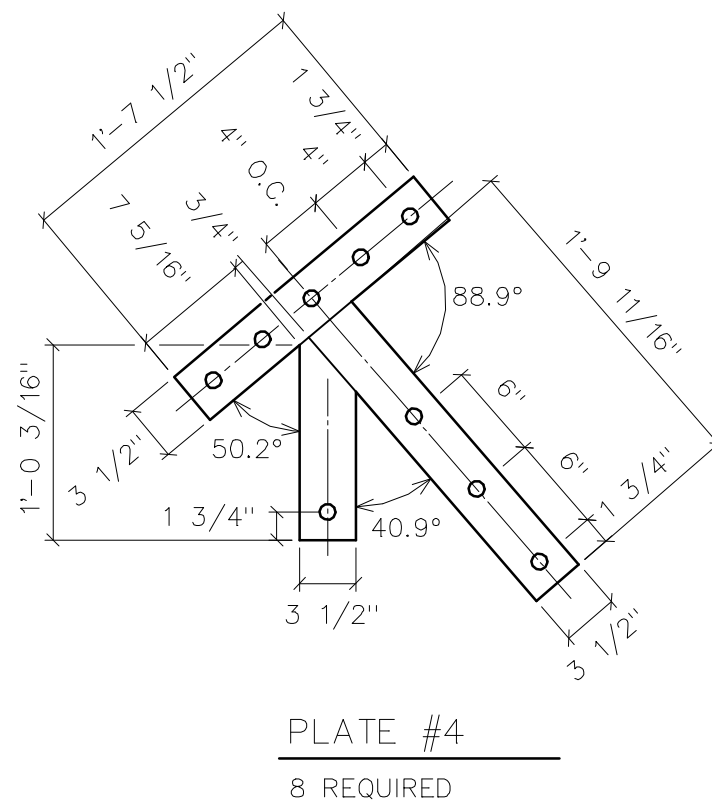
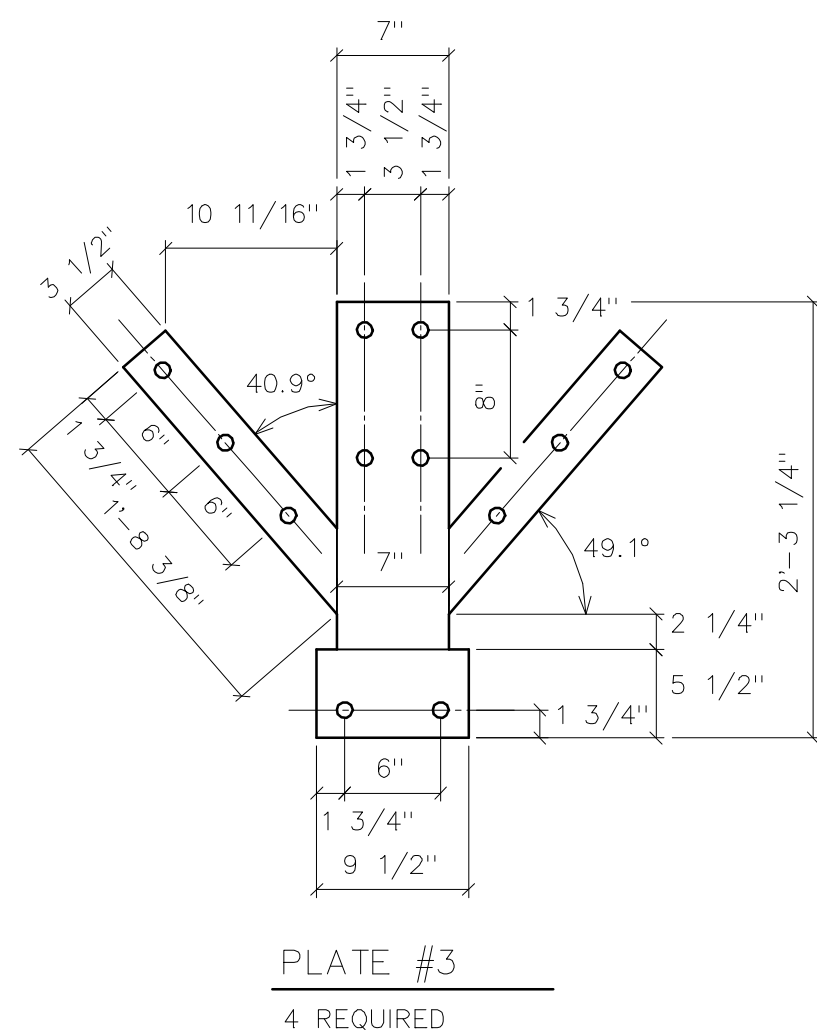
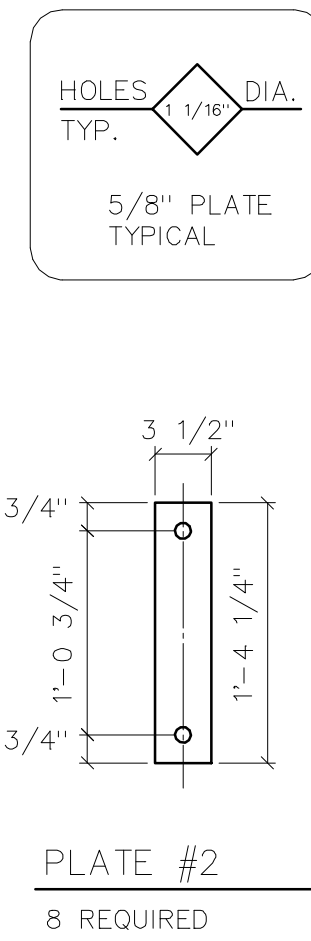
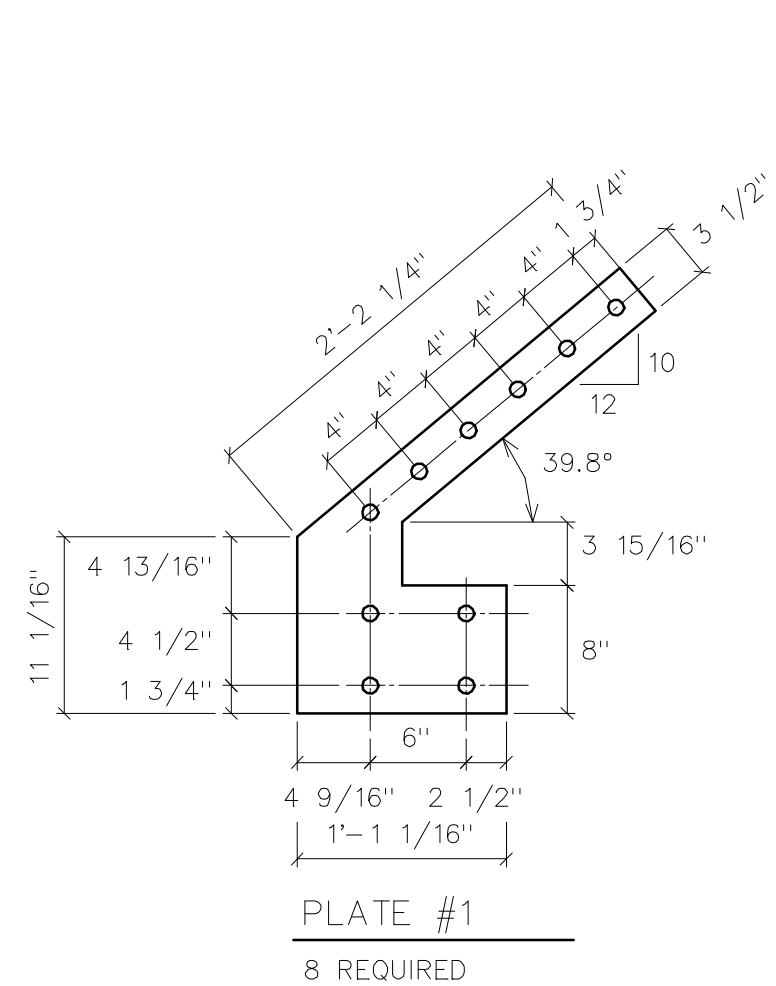
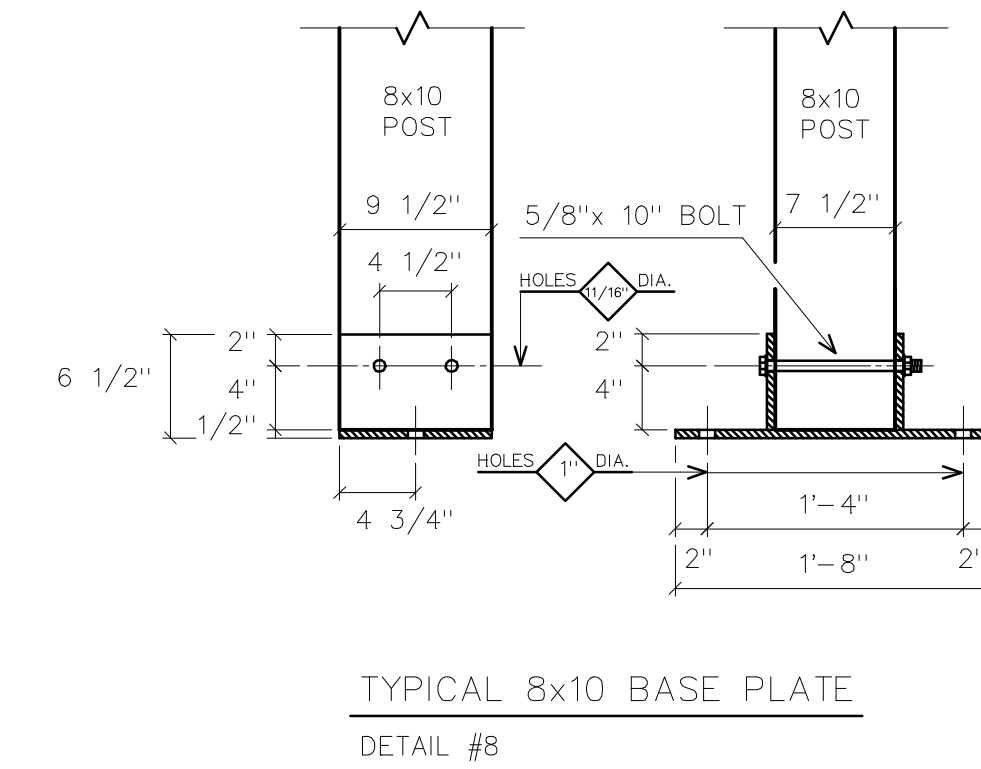
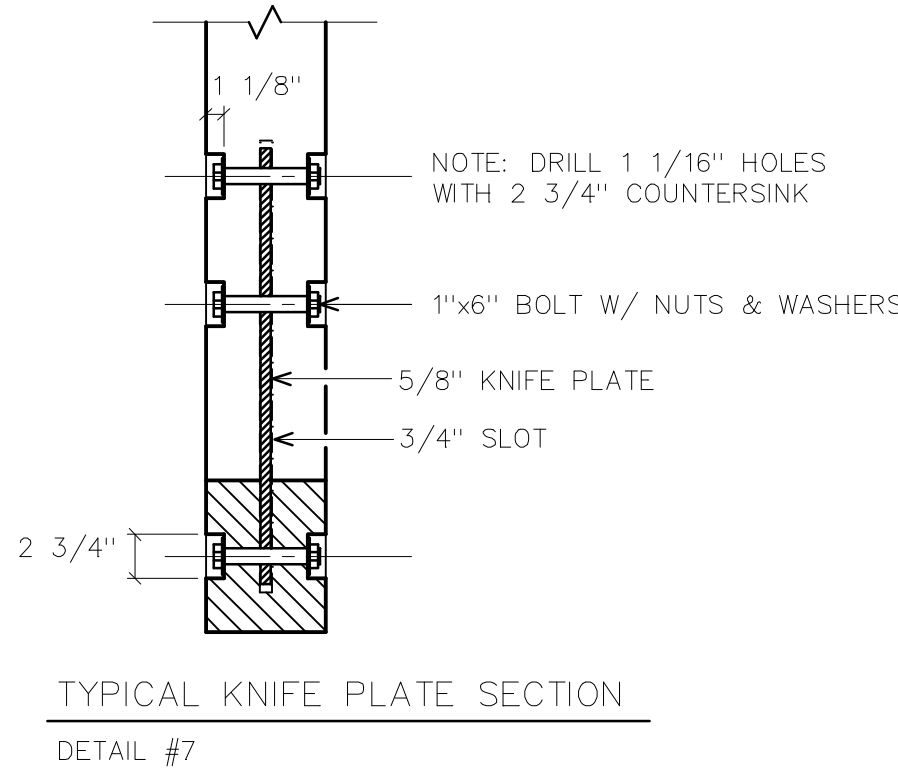
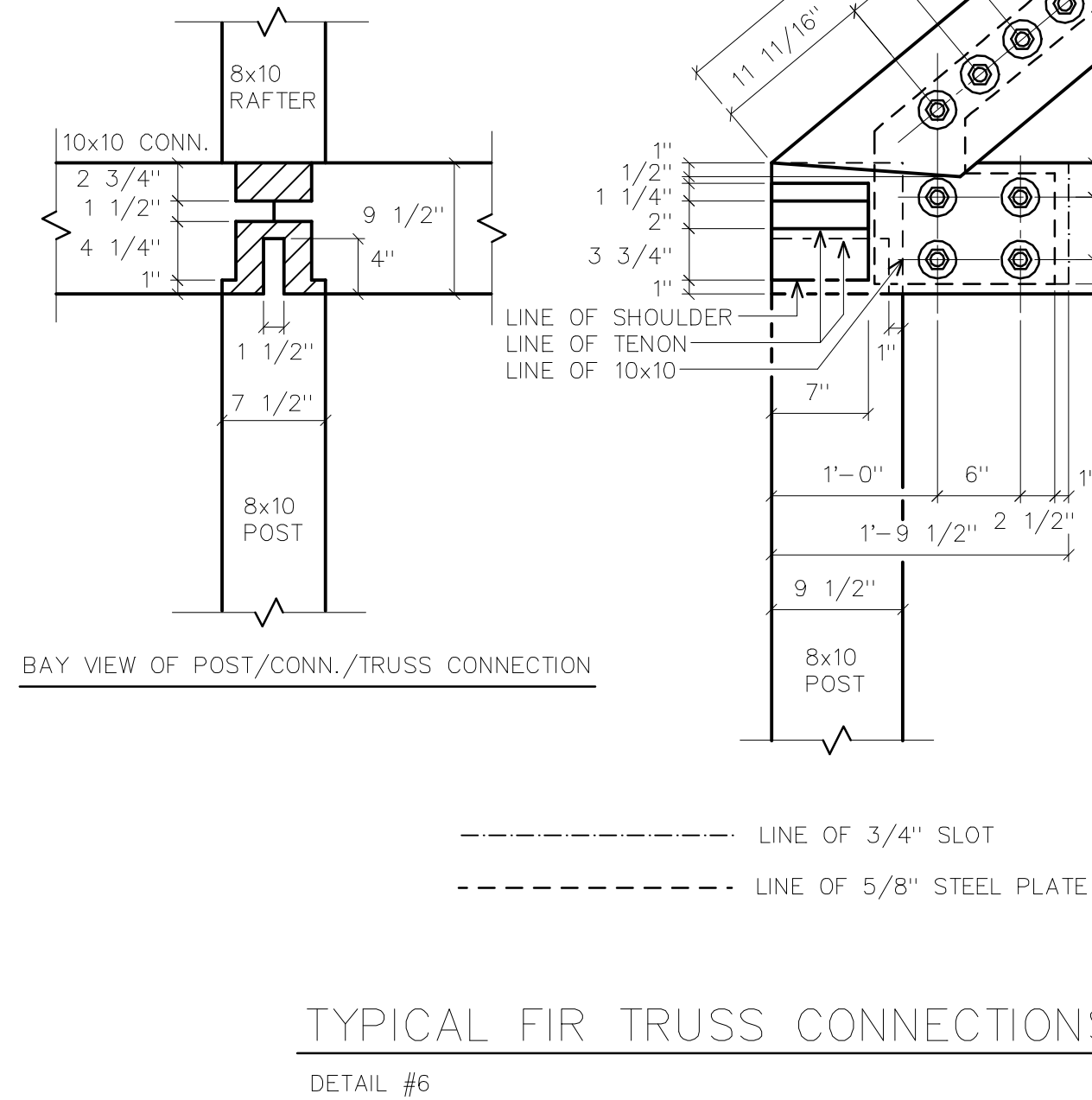
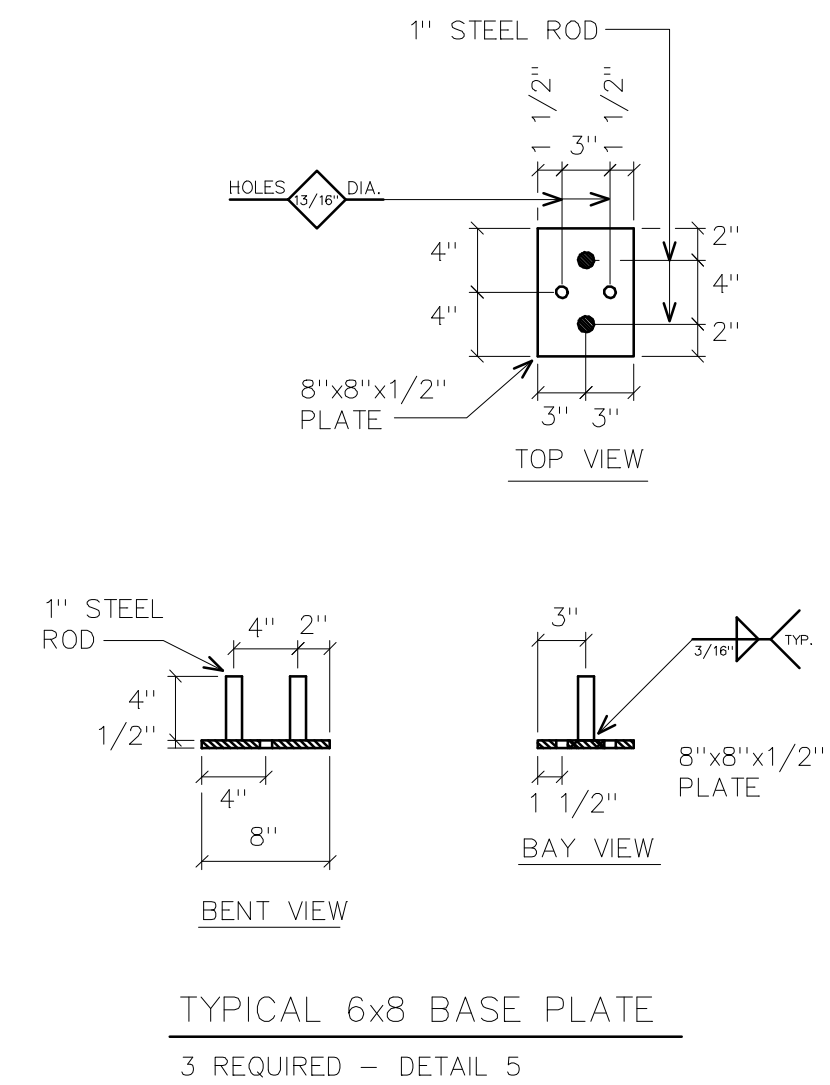
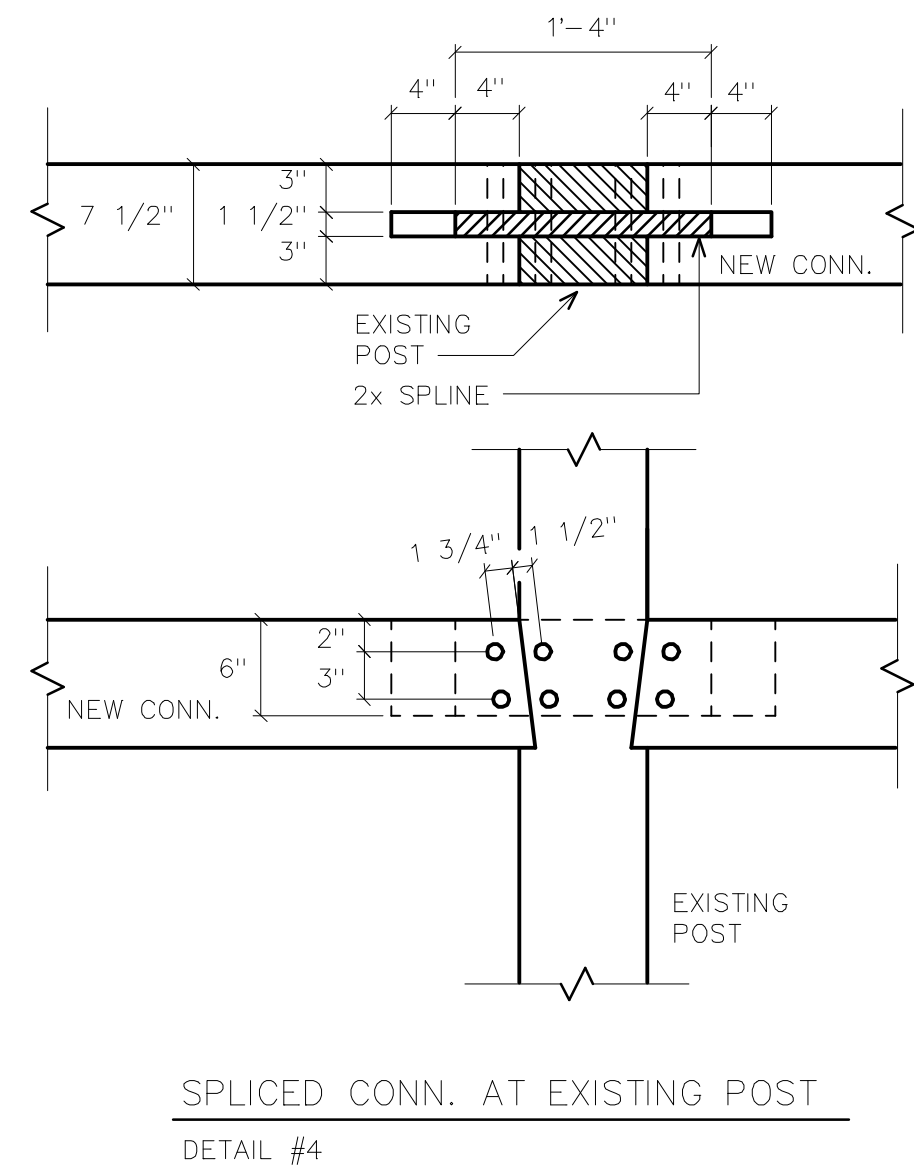


NOTE: LEAVE ALL PEGS OUT 1" WITH CHISELED ENDS



TYPICAL HEMLOCK FRAME CONNECTIONS



REVISIONS	BY

VERMONT TIMBER WORKS
SOUTH LANSING, VT
802-824-5503

SHOP DRAWINGS
JOINT DETAILS

PROJECT: BILLINGS FARM & MUSEUM ENTRY BARN
WOODSTOCK, VERMONT

DRAWN: D.F. CHECKED: D.F.
DATE: 12/14/98
SCALE: 1"=1'-0"
JOB NO.:
SHEET
F-5
OF SHEETS