

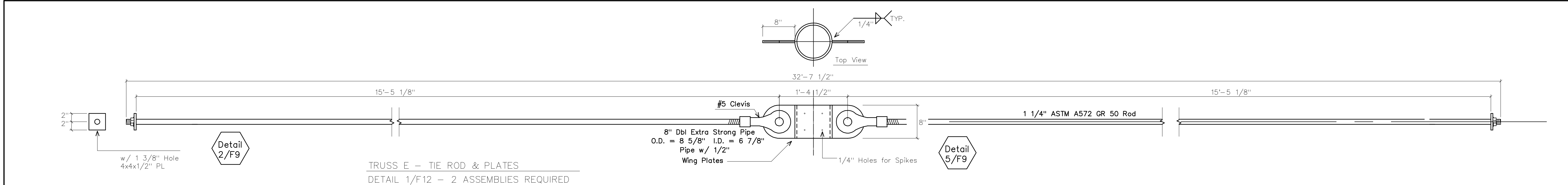
REVISIONS	BY
8/24/00	



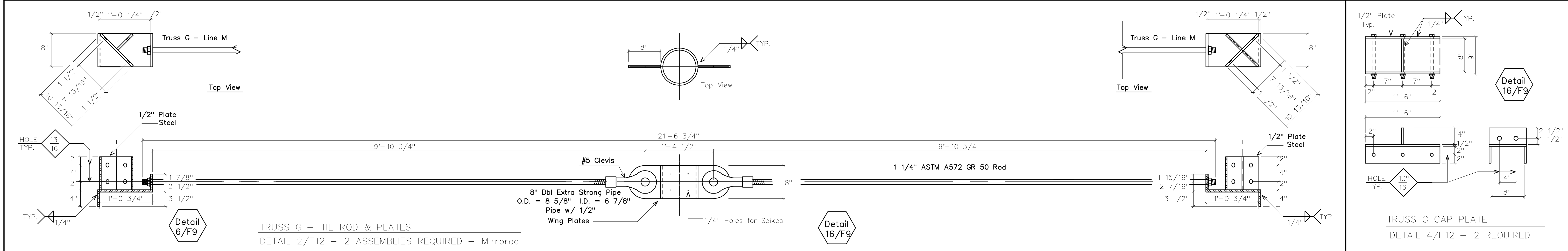
SHOP DRAWINGS
STEEL DETAILS

PROJECT: CAMP ABC FUND
FRESH AIR FUND
FISHKILL, NY

DRAWN : D.F.	CHECKED :
DATE : 7/18/00	
SCALE : 1"=1'-0"	
JOB NO. :	
SHEET	
F-12	
OF	SHEETS

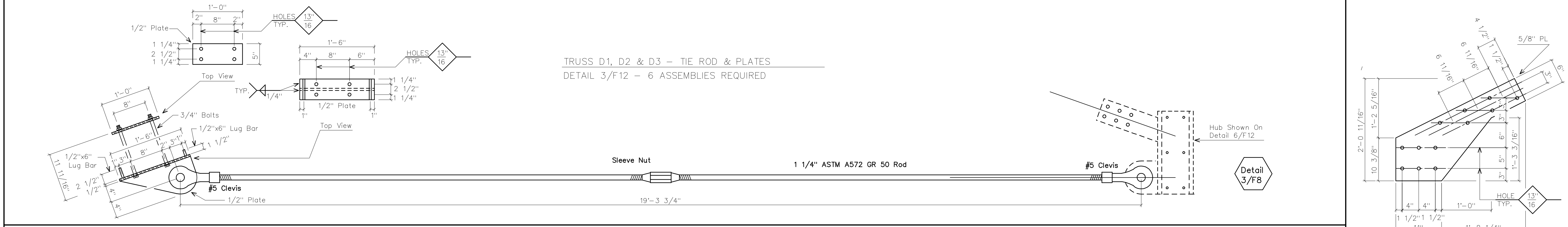


TRUSS E - TIE ROD & PLATES
DETAIL 1/F12 - 2 ASSEMBLIES REQUIRED



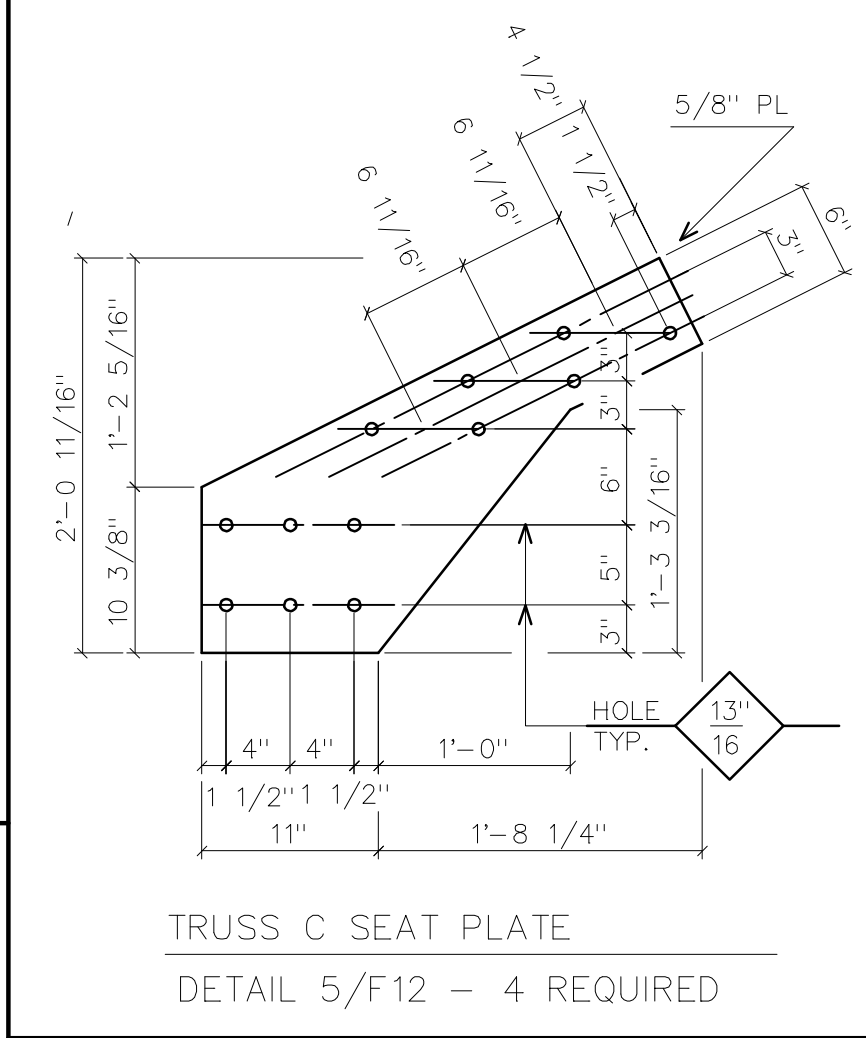
TRUSS G - TIE ROD & PLATES
DETAIL 2/F12 - 2 ASSEMBLIES REQUIRED - Mirrored

TRUSS G CAP PLATE
DETAIL 4/F12 - 2 REQUIRED

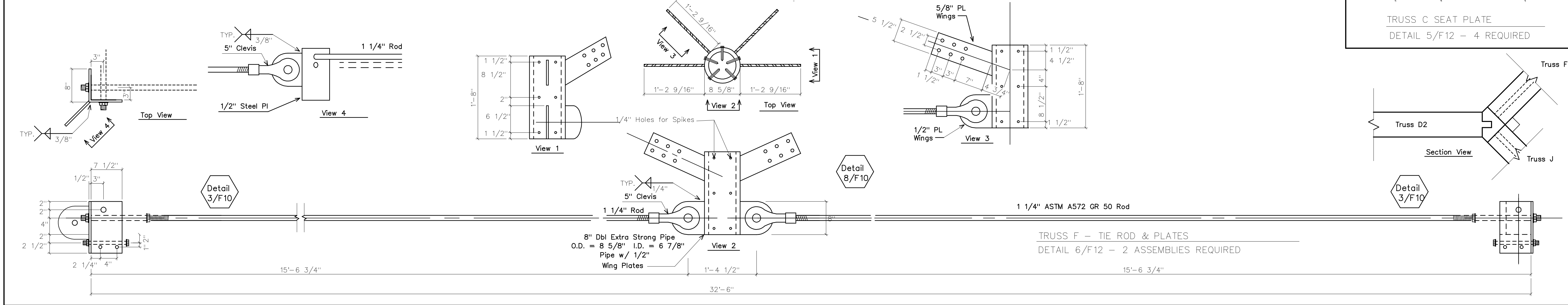


TRUSS D1, D2 & D3 - TIE ROD & PLATES
DETAIL 3/F12 - 6 ASSEMBLIES REQUIRED

Detail 3/F8



TRUSS C SEAT PLATE
DETAIL 5/F12 - 4 REQUIRED

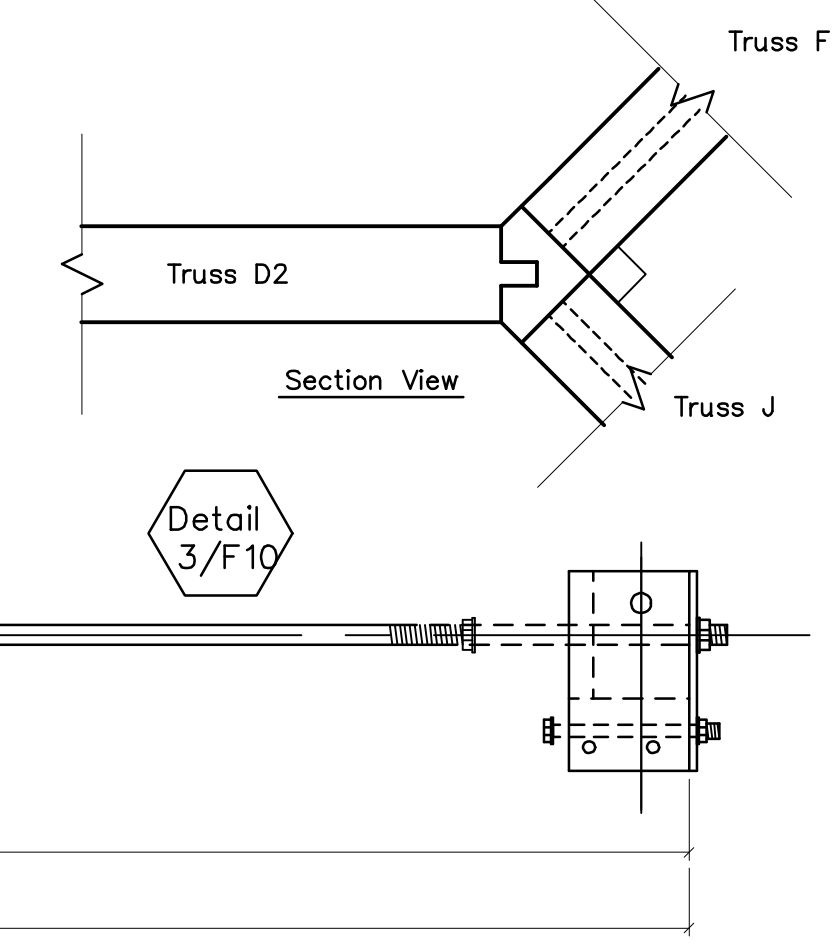


TRUSS F - TIE ROD & PLATES
DETAIL 6/F12 - 2 ASSEMBLIES REQUIRED

Detail 3/F10

Detail 8/F10

Detail 3/F10



TRUSS J - TIE ROD & PLATES
DETAIL 7/F12 - 2 ASSEMBLIES REQUIRED

Detail 3/F10

Detail 9/F10

Detail 3/F10

NOTES:
ALL BOLTS TO BE A307 PLATED
ALL STEEL TO BE PRIMED BY VTW