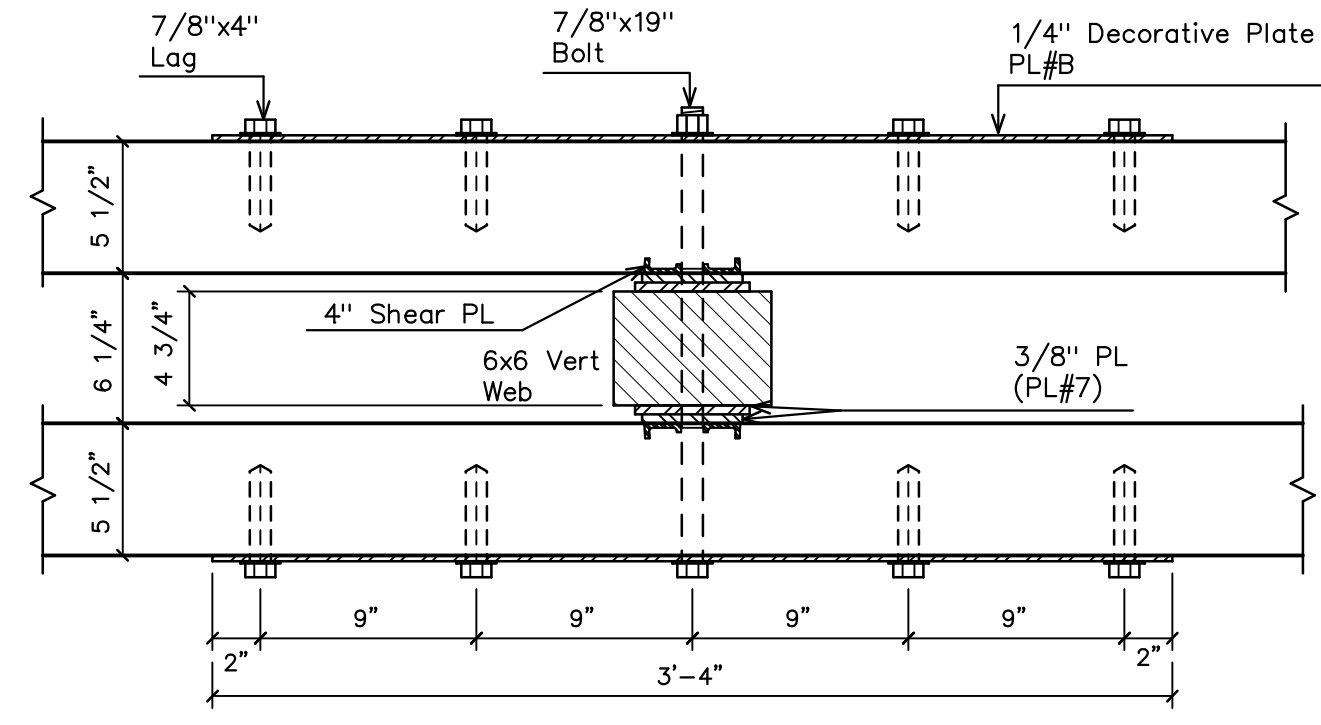
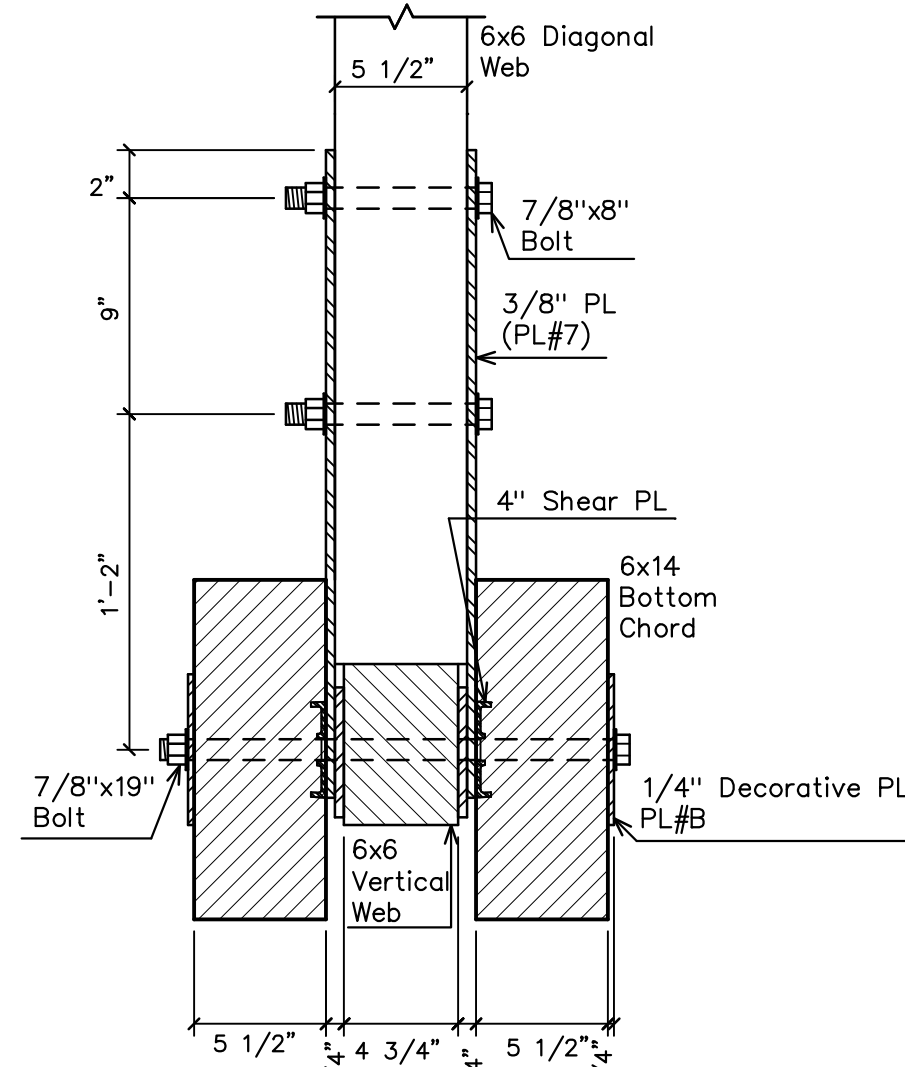


Detail
1/F10

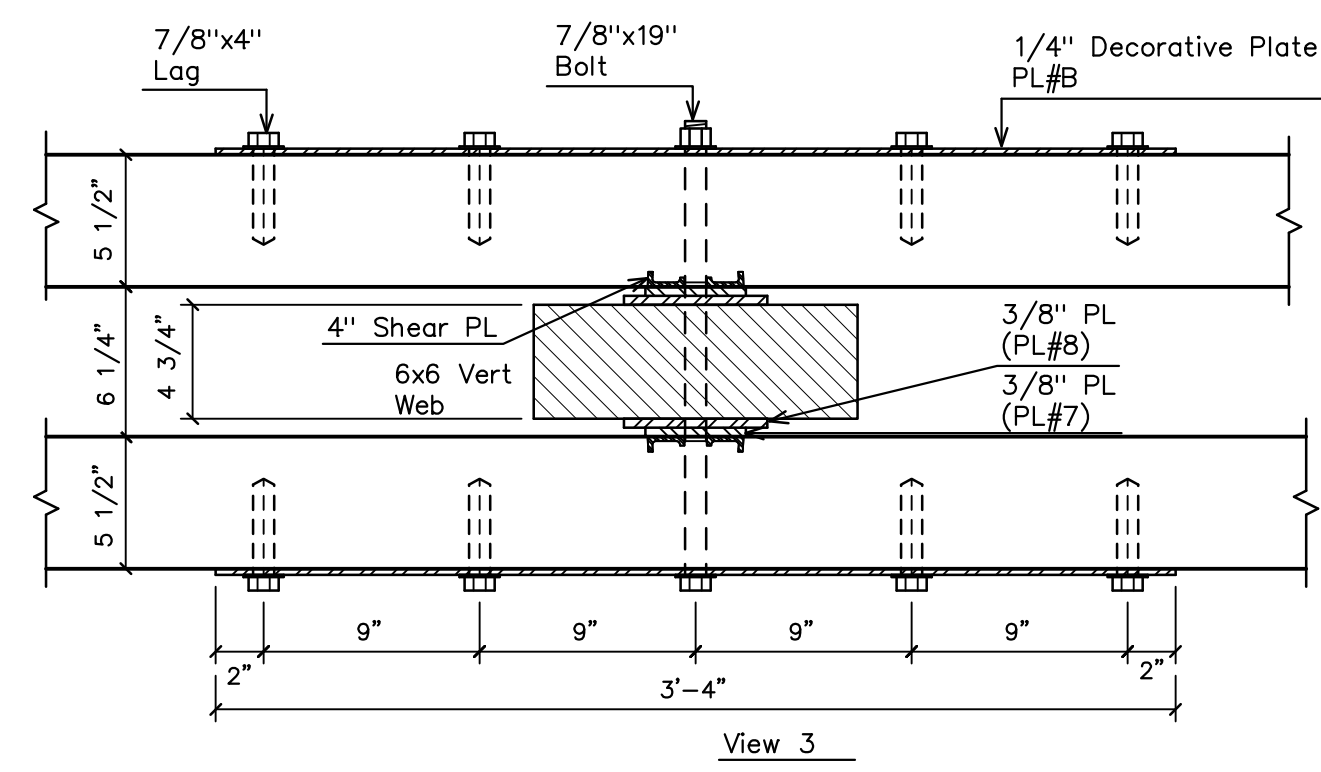


View 3

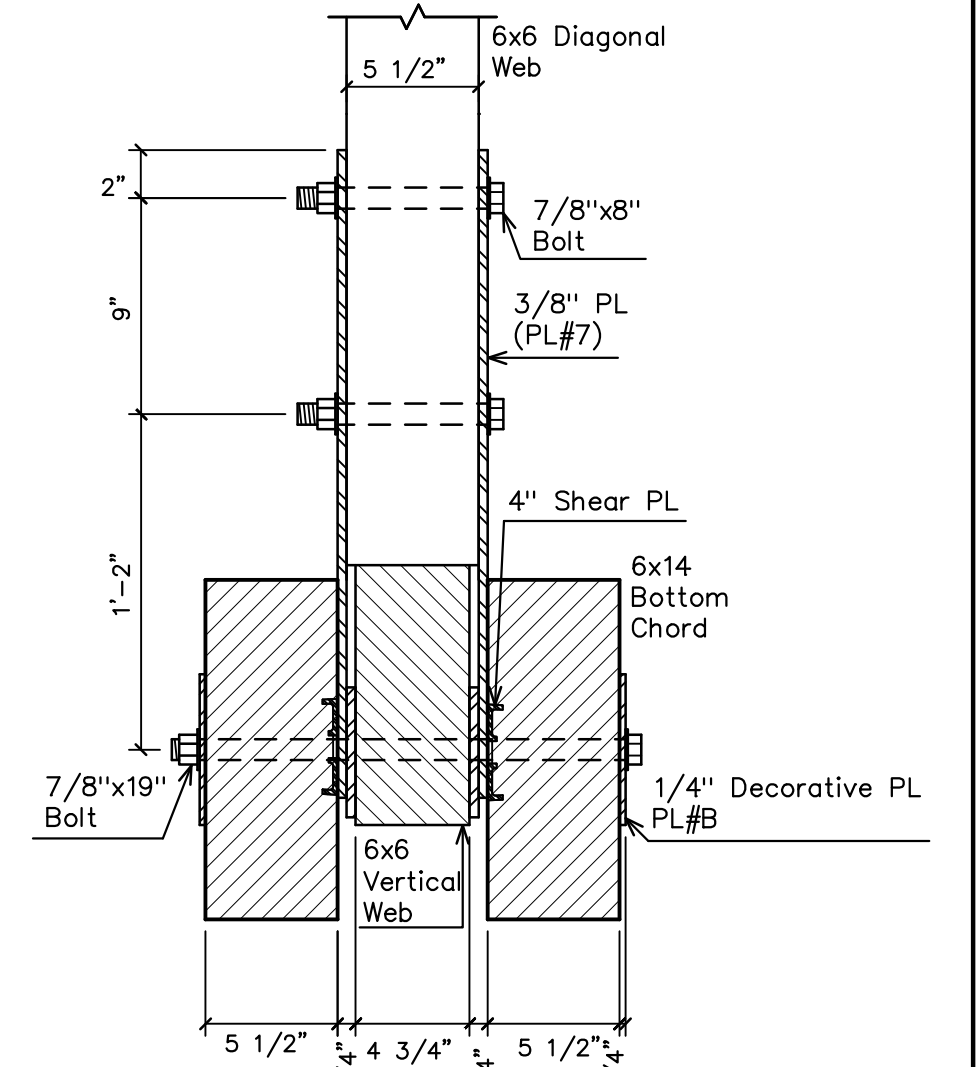


View 2

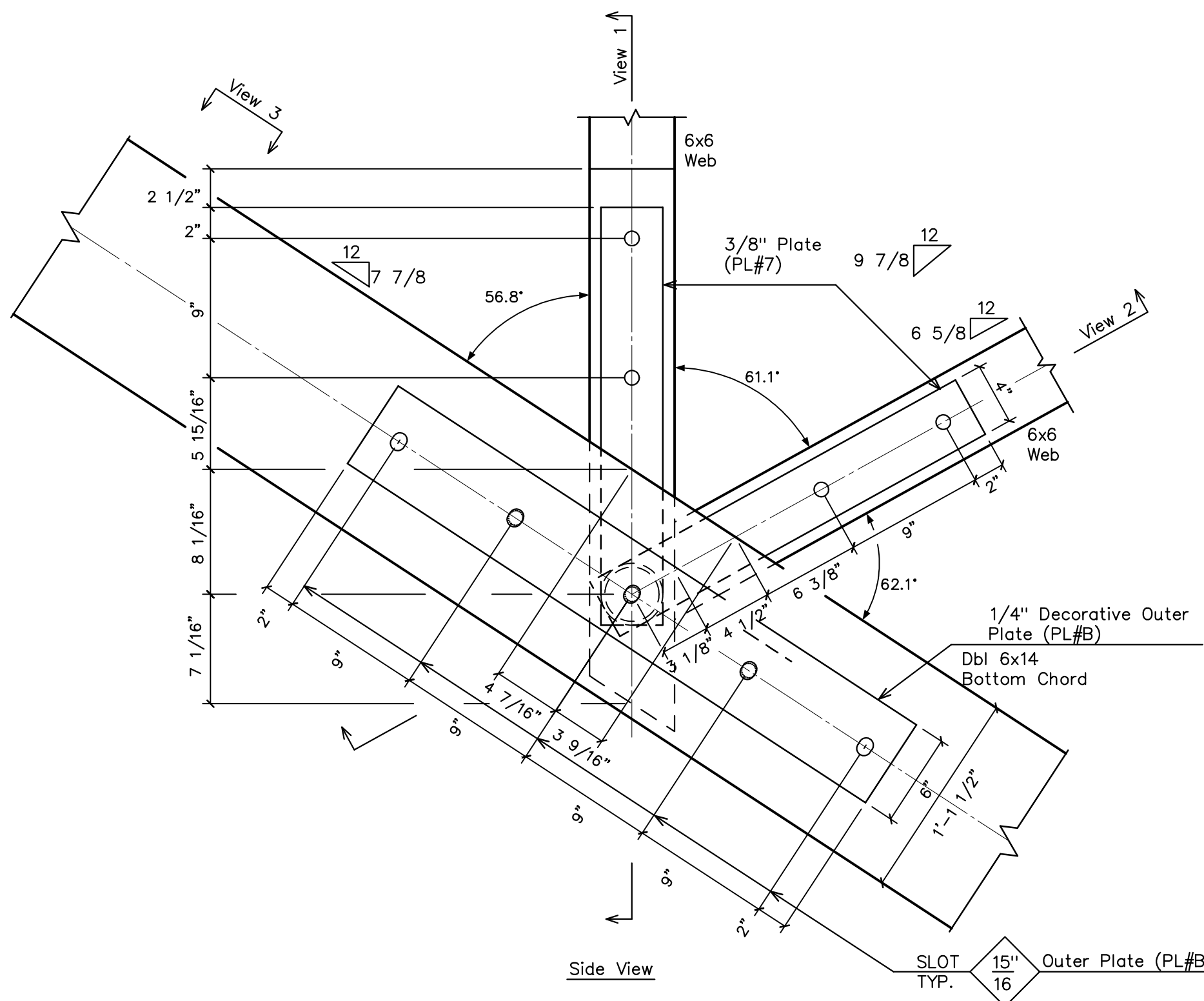
Detail
2/F10



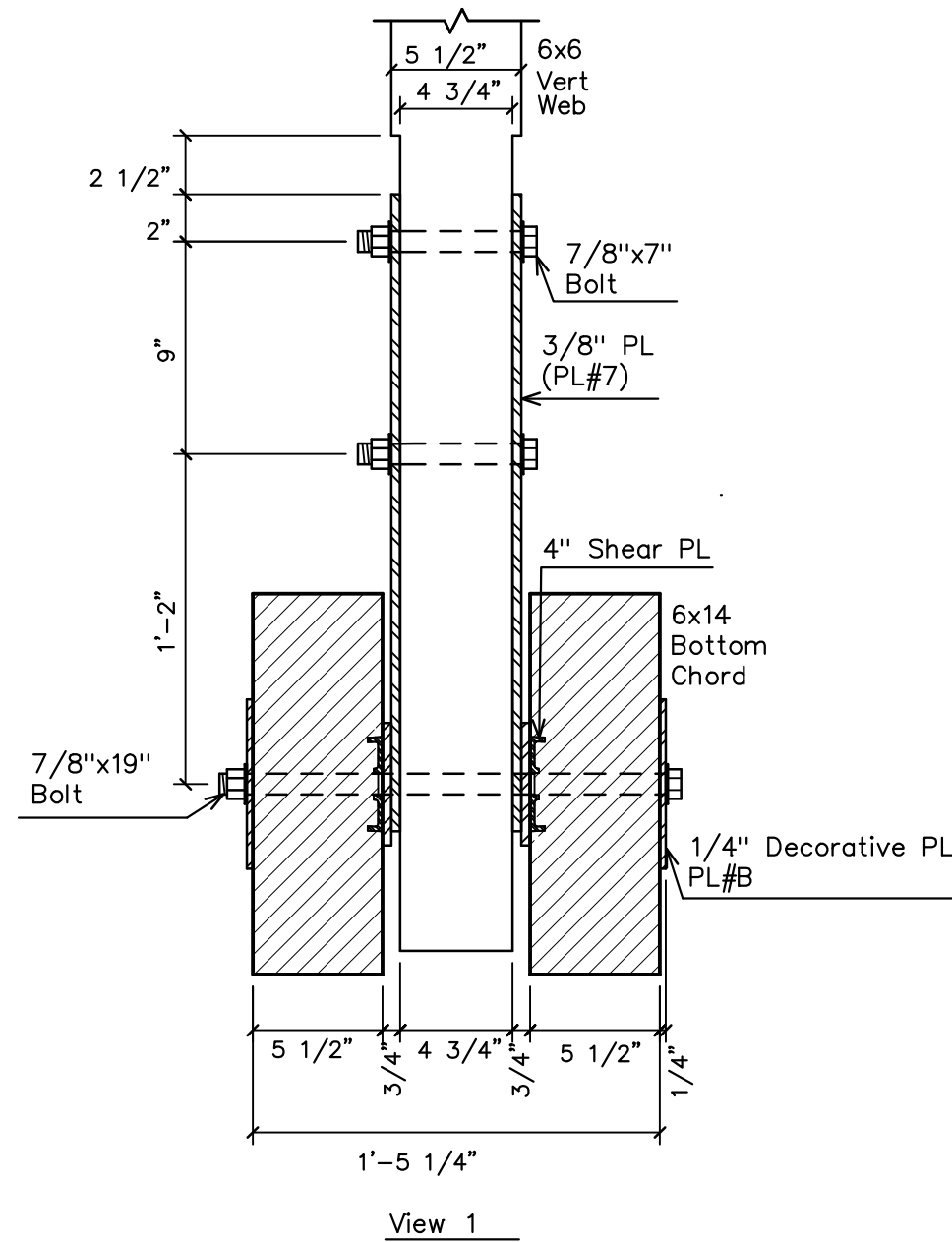
View 3



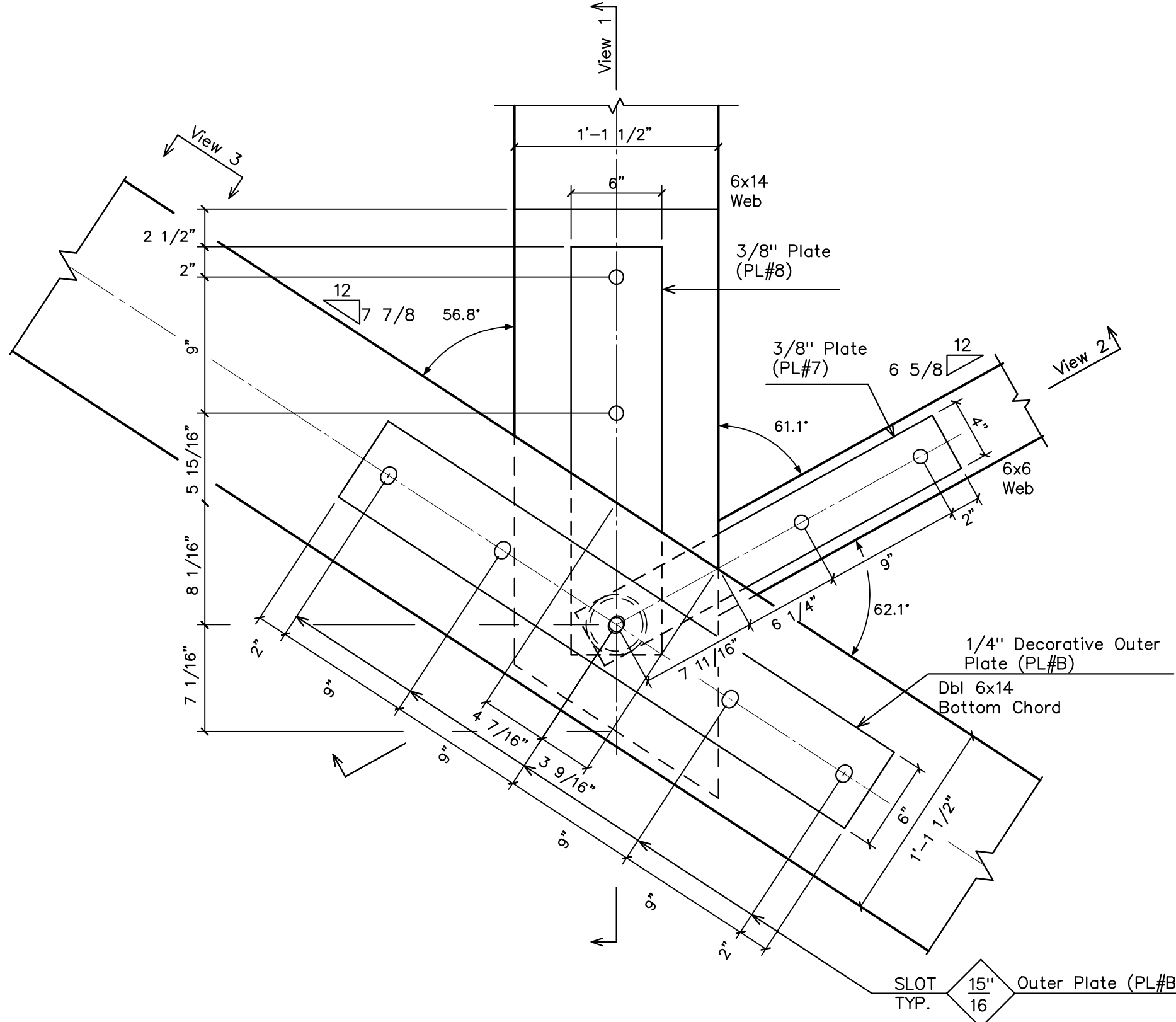
View 2



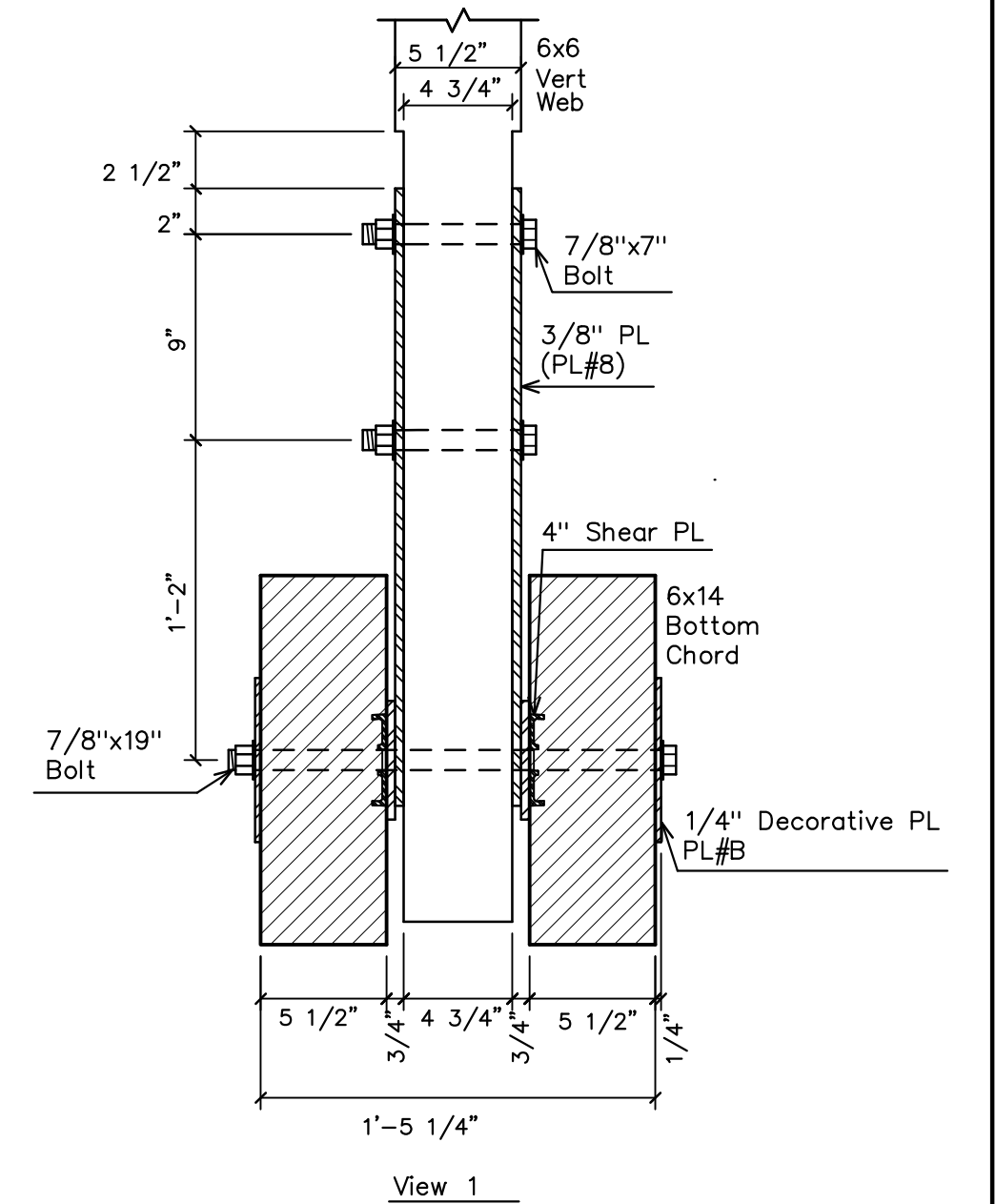
Side View



View 1

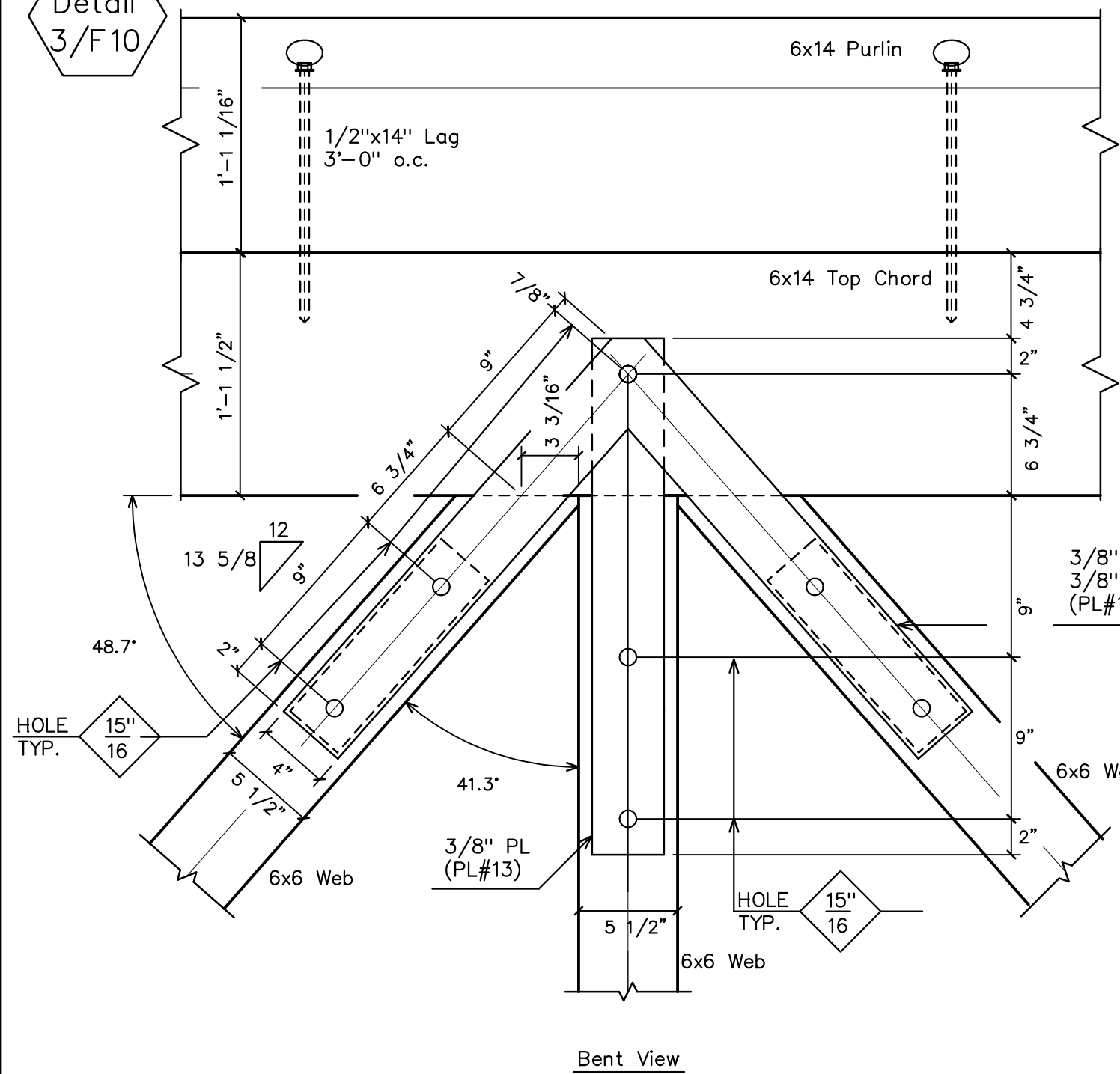


Side View

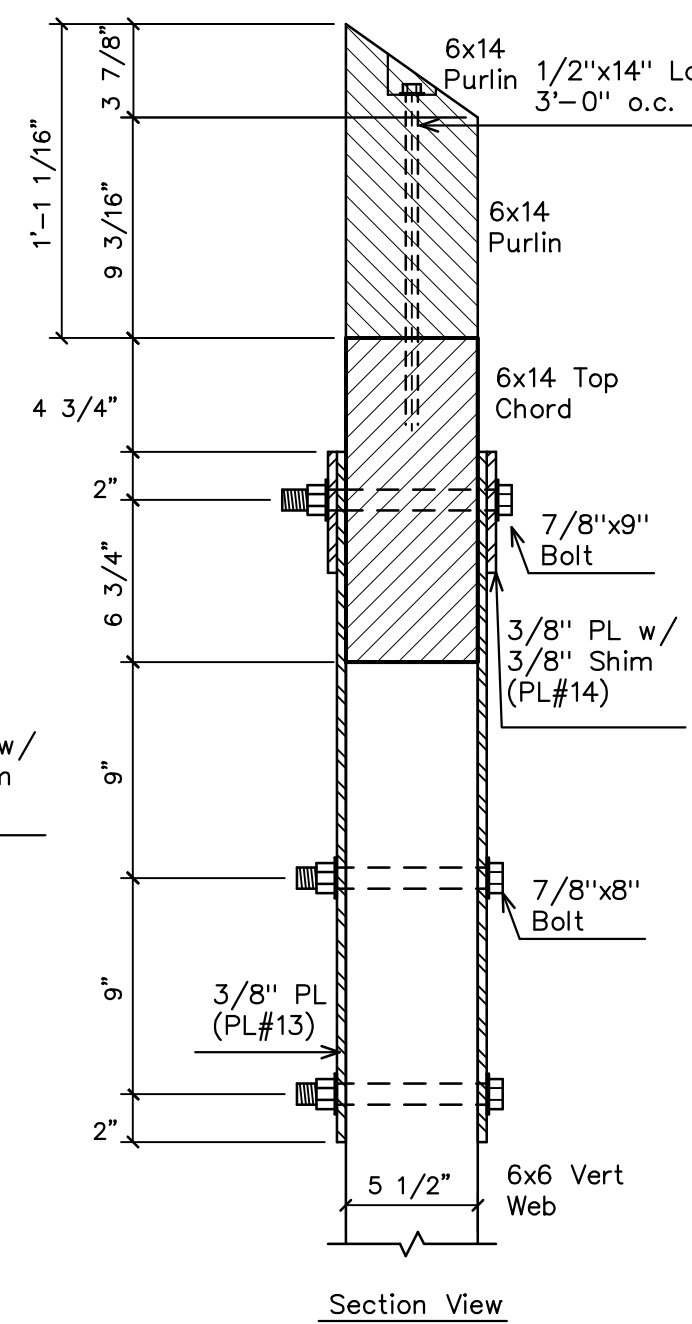


View 1

Detail
3/F10

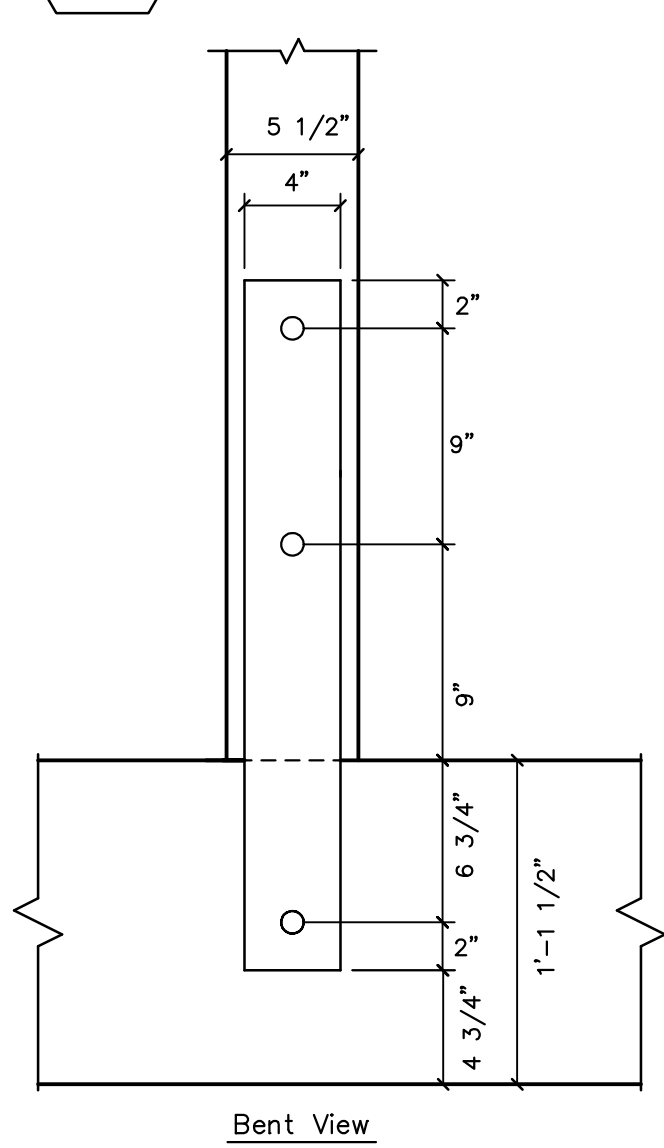


Bent View

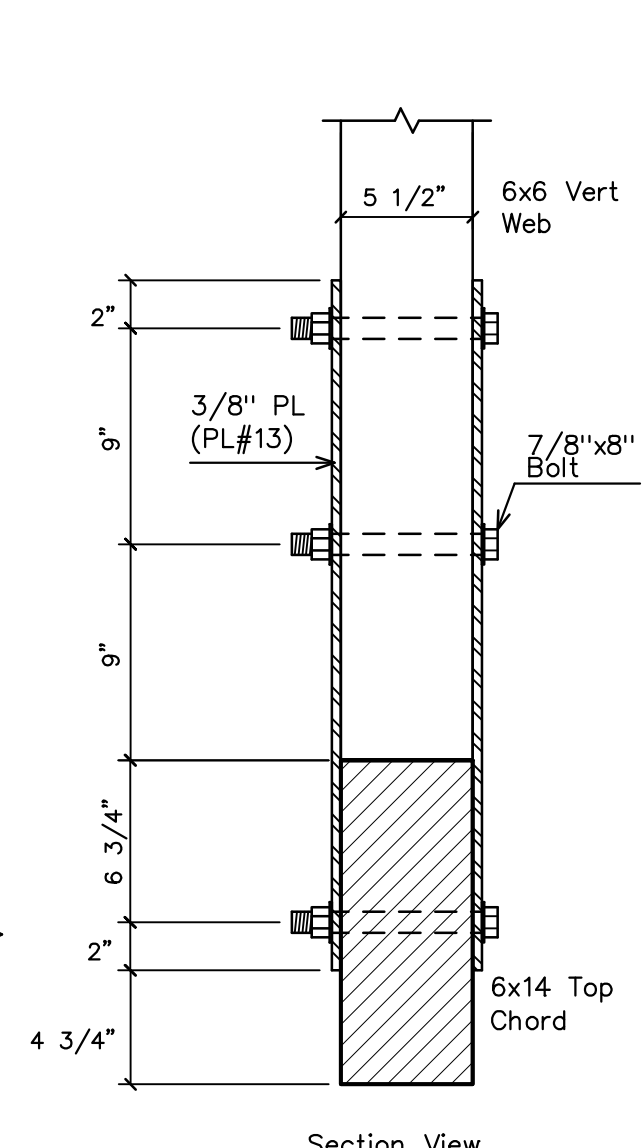


Section View

Detail
4/F10

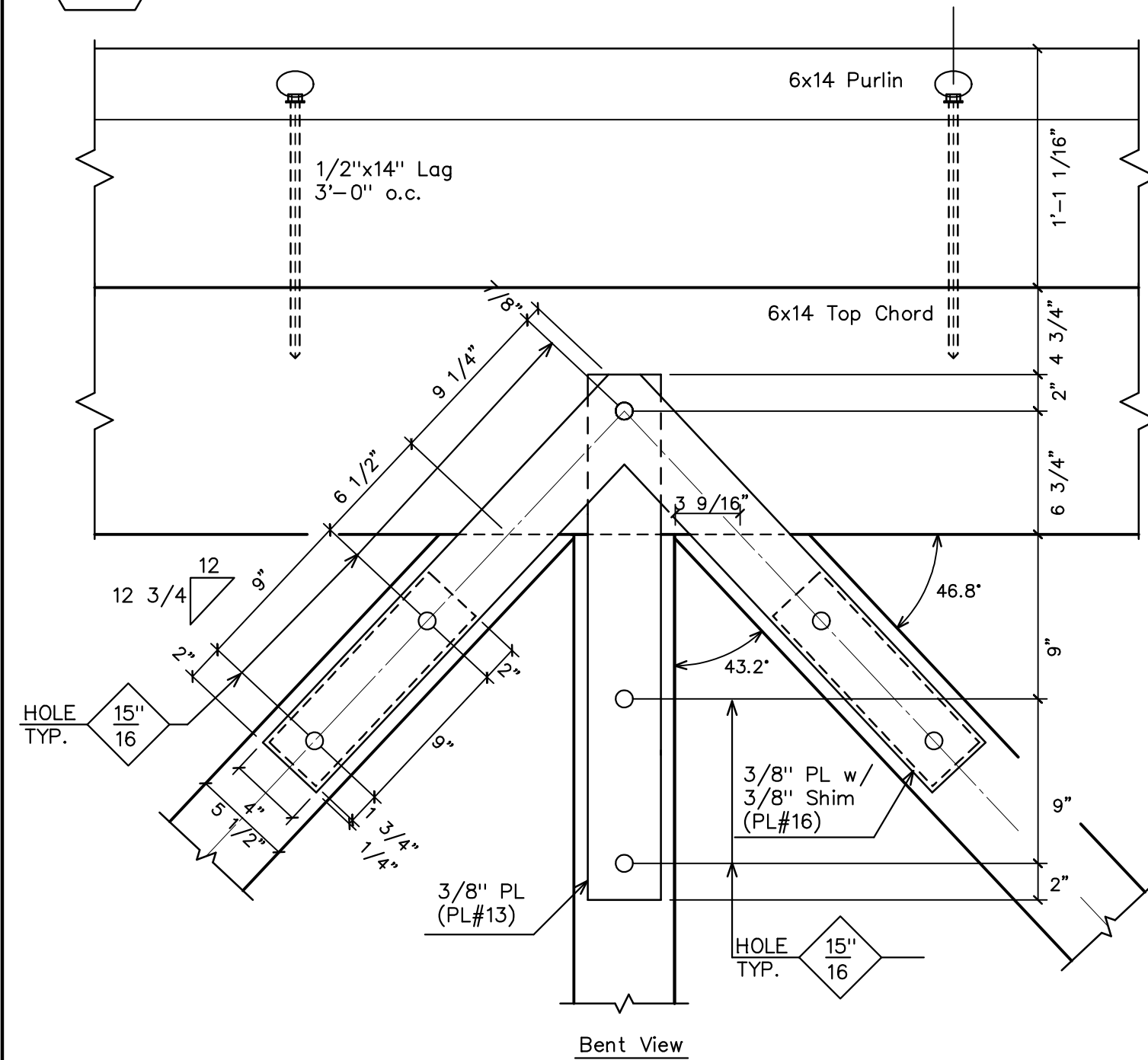


Bent View

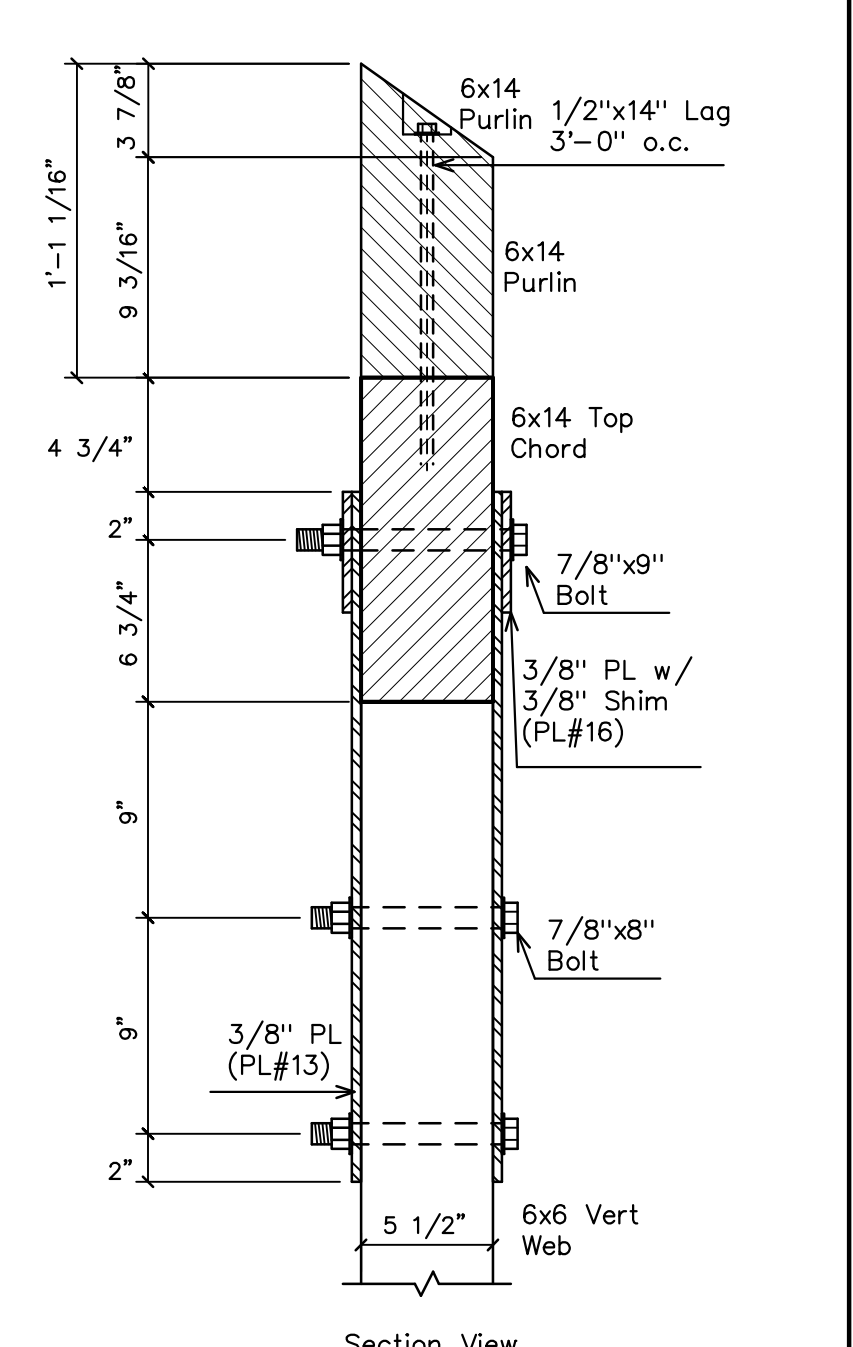


Section View

Detail
5/F10



Bent View



Section View

REVISIONS	BY
9/11/07	PJZ
9/14/07	PJZ
9/24/07	PJZ
10/16/07	PJZ
11/2/07	PJZ



SHOP DRAWINGS
Joint Details

THE ENGINEERING ADVICE, OPINIONS, AND RECOMMENDATIONS IN THIS DRAWING ARE THOSE OF THE LICENSED PROFESSIONAL ENGINEER WHOSE STAMP APPEARS HEREIN, AND NOT OF VERMONT TIMBER WORKS, INC.

PROJECT:
Spruce Peak Lodge
Heavy Timber Frame
Stowe, Vermont

DRAWN :	CHECKED :
PJZ	
DATE :	8/31/07
SCALE :	1 1/2" = 1'-0"
JOB NO. :	
SHEET	

F-10
OF SHEETS
COPYRIGHT VERMONT TIMBER WORKS, INC. THIS DRAWING MAY BE UTILIZED ONLY FOR THE WORK SHOWN THEREIN AT THE SITE. REPRODUCTION OR ALTERATION OF THIS DRAWING, WITHOUT LIMITATION, ANY REPRODUCTION OR ALTERATION OF THIS DRAWING WITHOUT THE PRIOR WRITTEN APPROVAL OF VERMONT TIMBER WORKS, INC. IS A VIOLATION OF LAW AND PROHIBITED.