

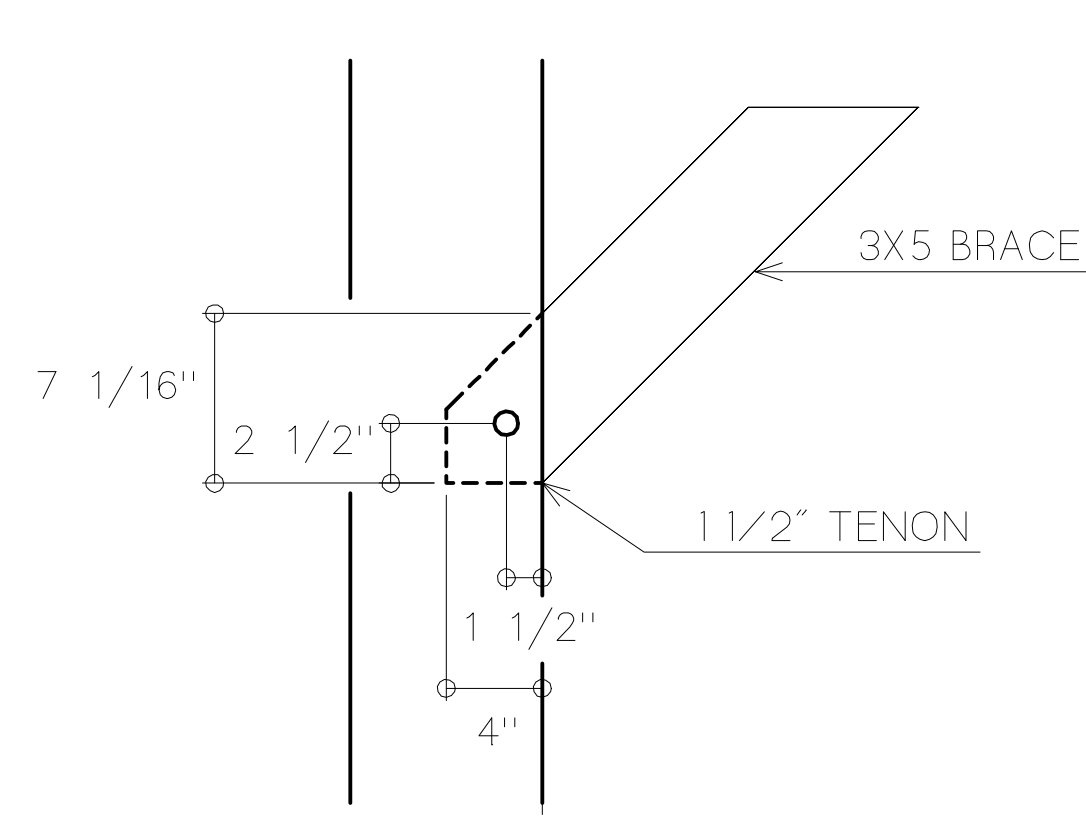
REVISIONS	BY

**Friant & Kelleher BUILDERS, INC.**  
SOUTH LONDONDERRY, VT  
802-824-5503

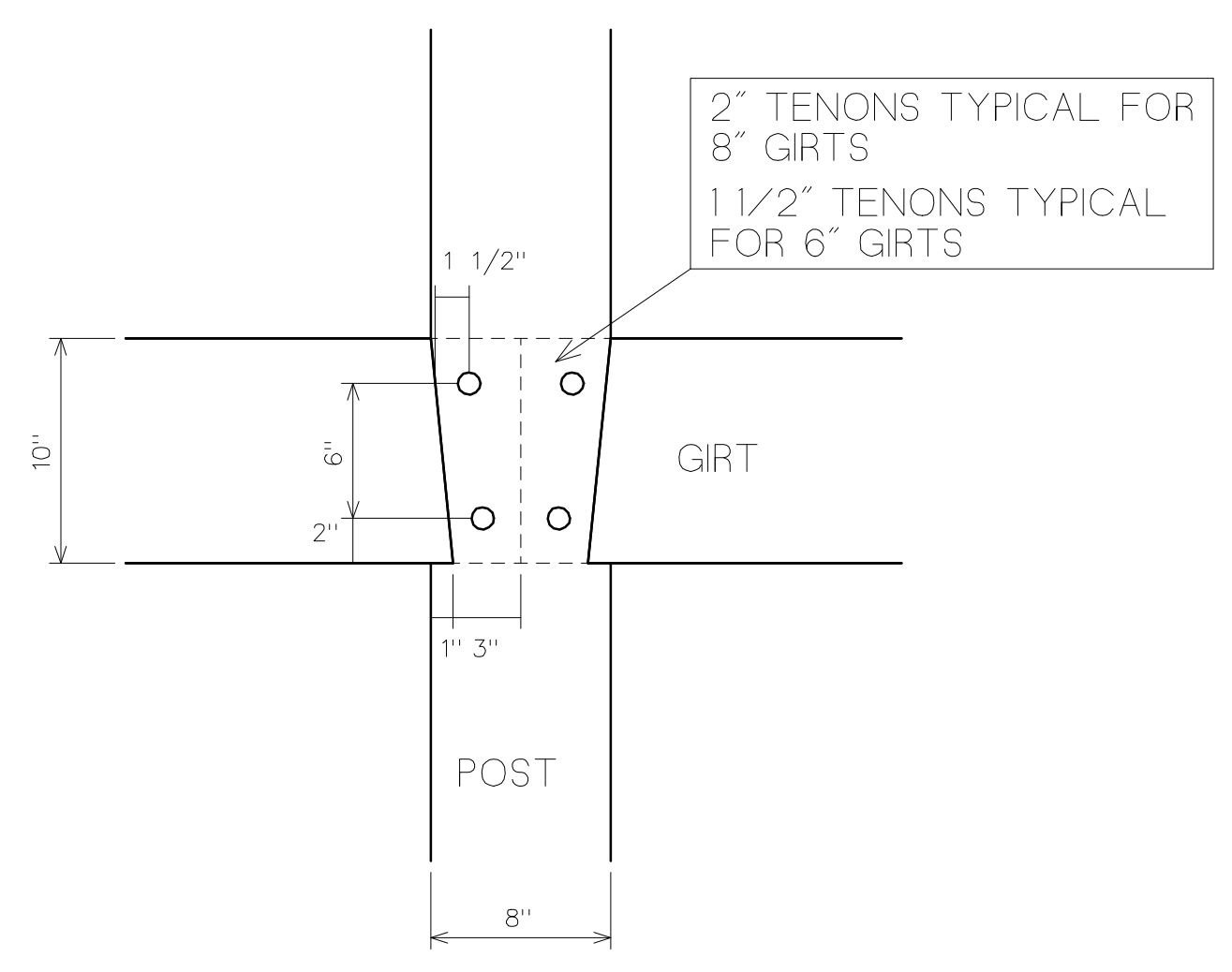
**BENTS**

**PROJECT: JUDGE TIMBER FRAMING**

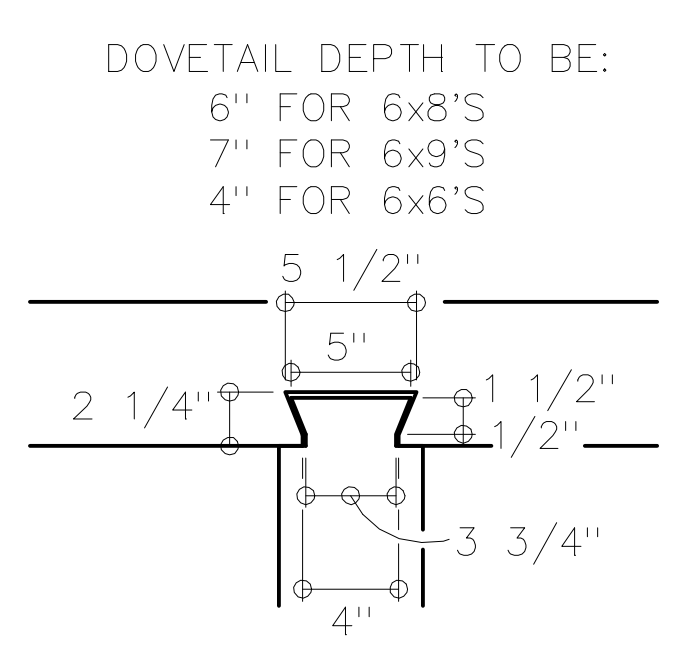
DRAWN : D.F.	CHECKED :
DATE : 4/16/97	
SCALE : 1/2" = 1'0"	
JOB NO. :	
SHEET	
F-1	
OF	SHEETS



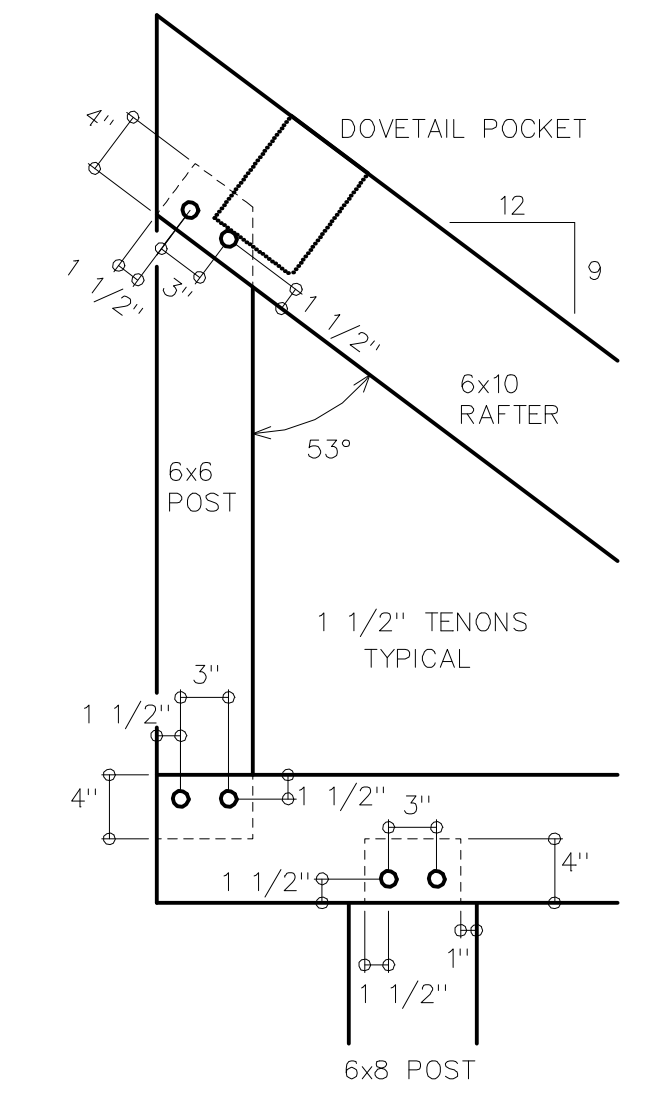
TYPICAL BRACE



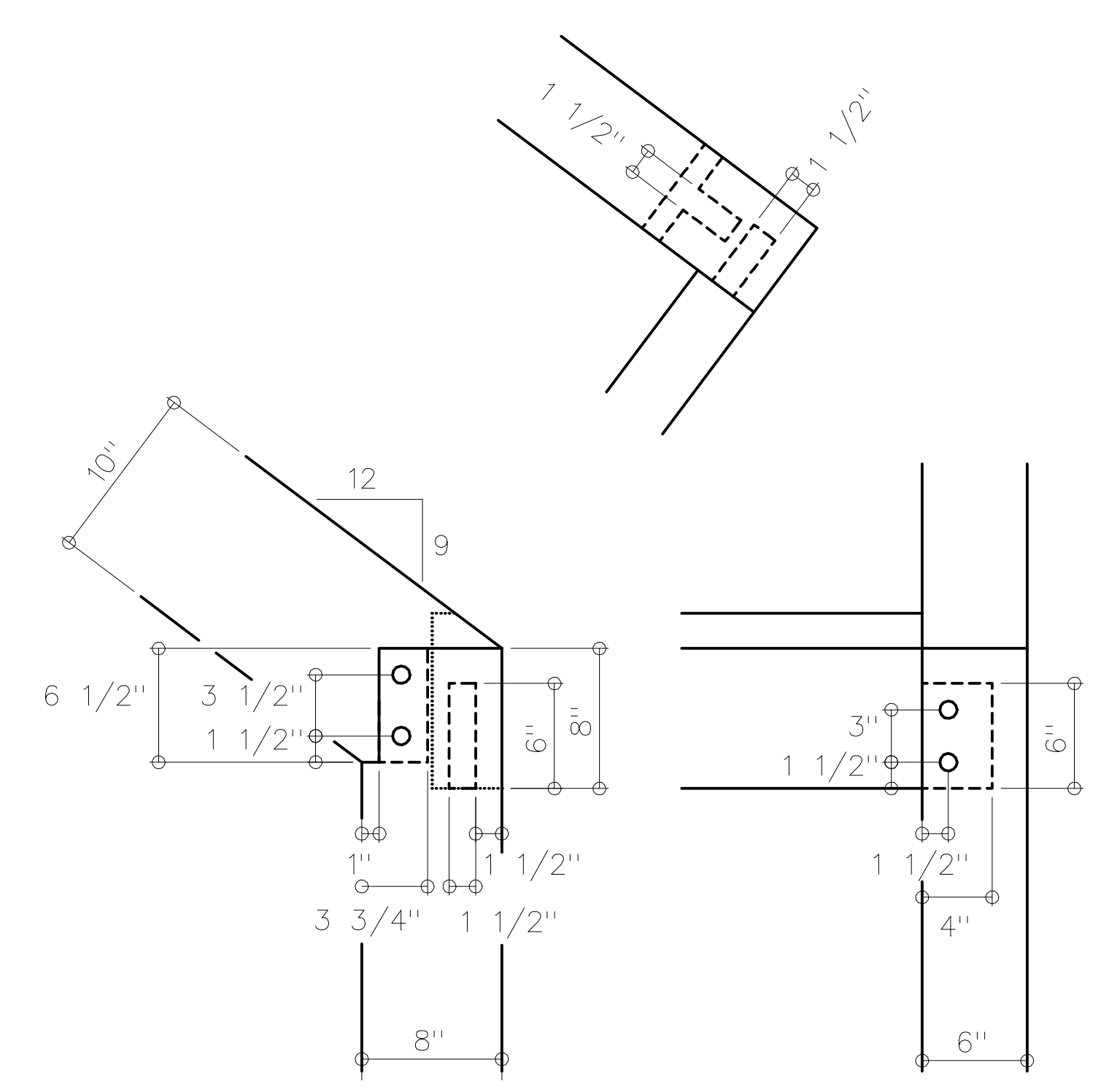
TYPICAL POST/GIRT CONNECTION



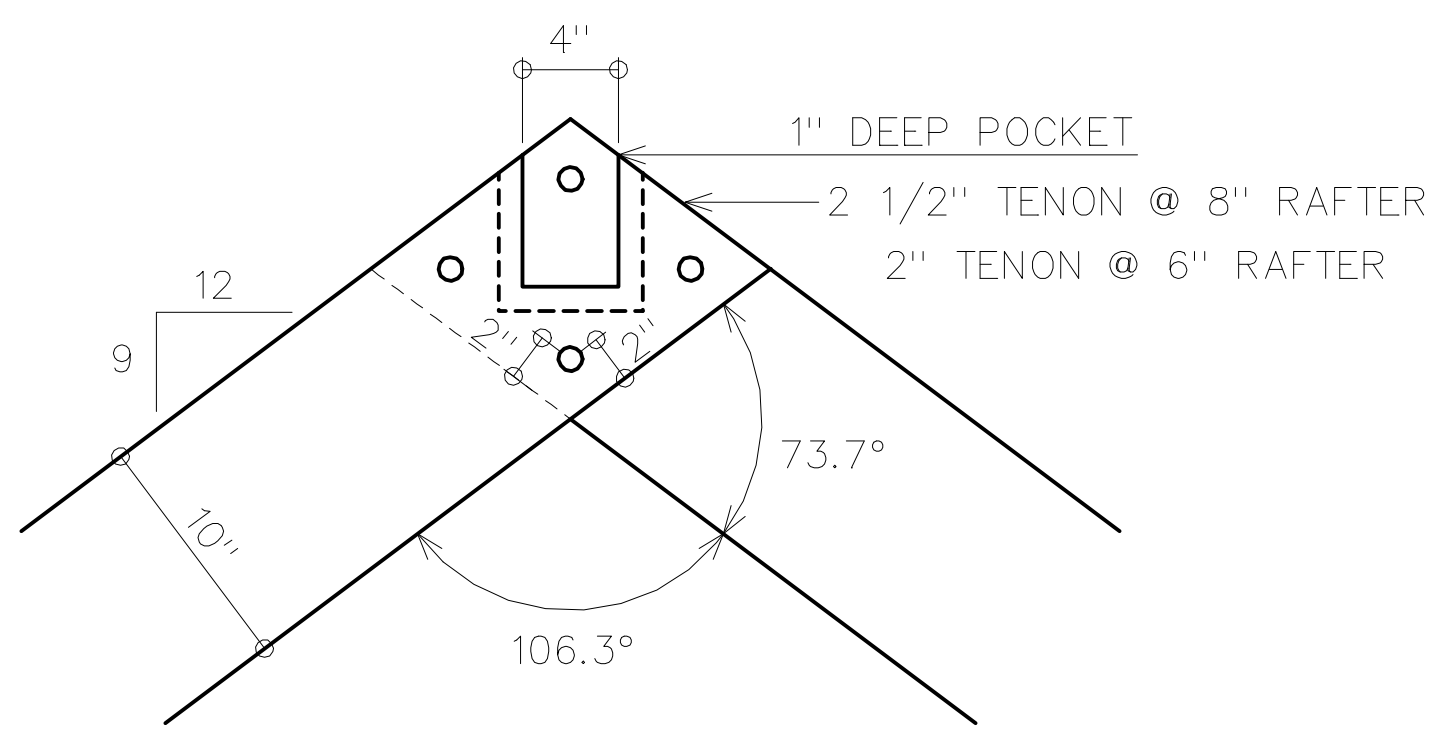
TYPICAL DOVETAIL



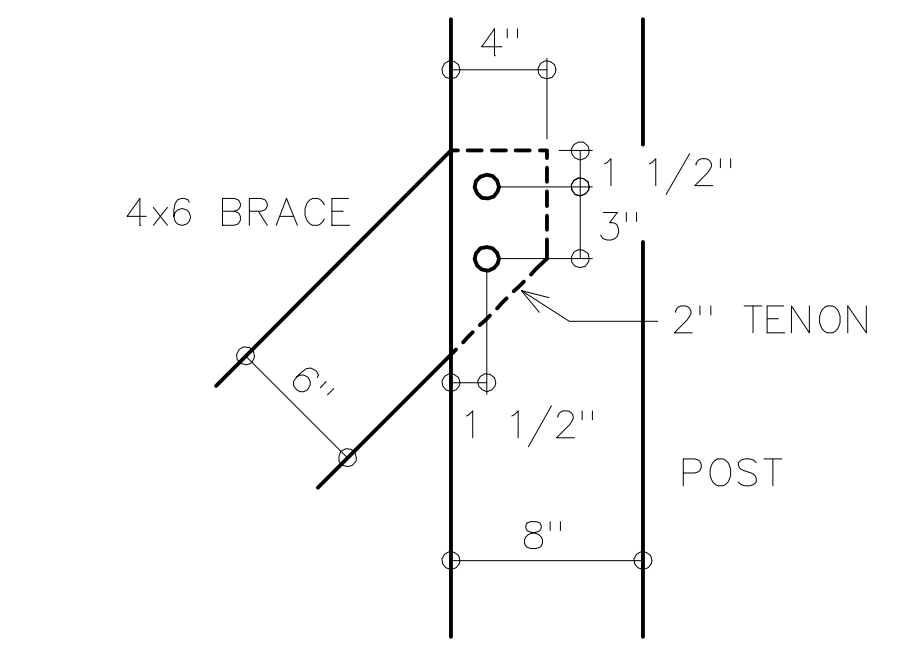
JUDGE CHIMNEY FRAMING



9/12 RAFTER FOOT



9/12 TONGUE & FORK



4x6 BRACE CONNECTION

