

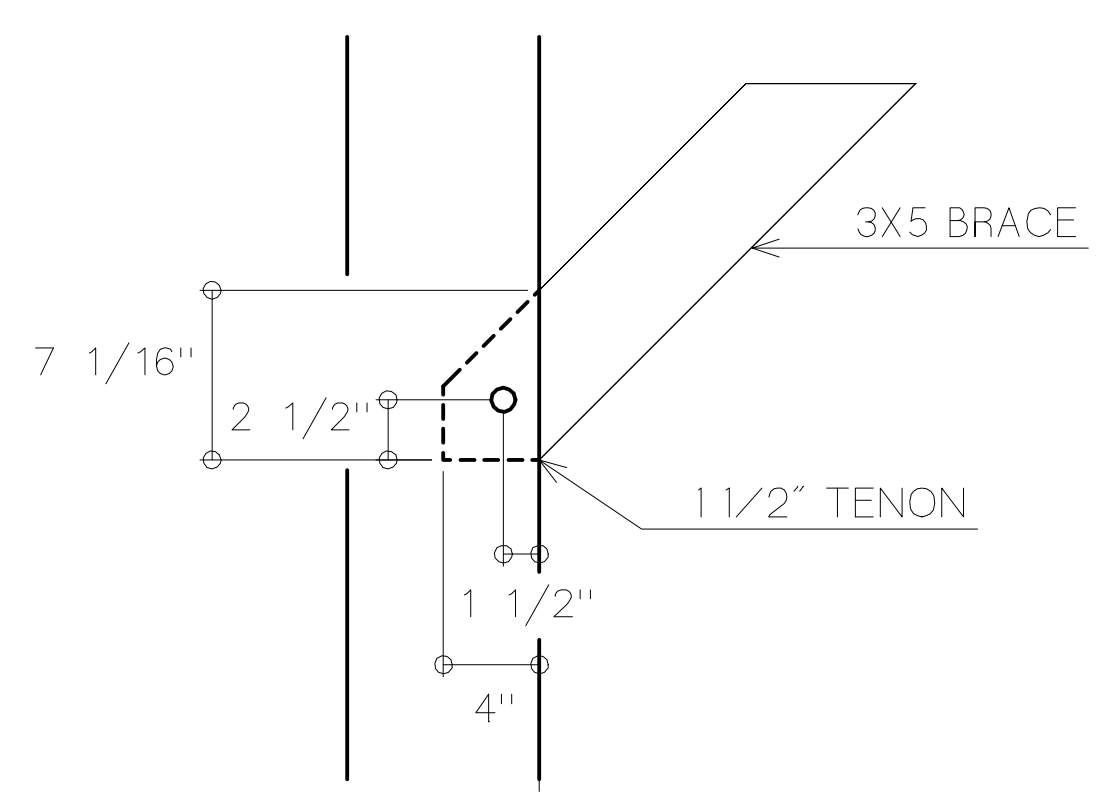
REVISIONS	BY

Friant & Kelleher
BUILDERS, INC.
SOUTH LONDONDERRY, VT
802-824-5503

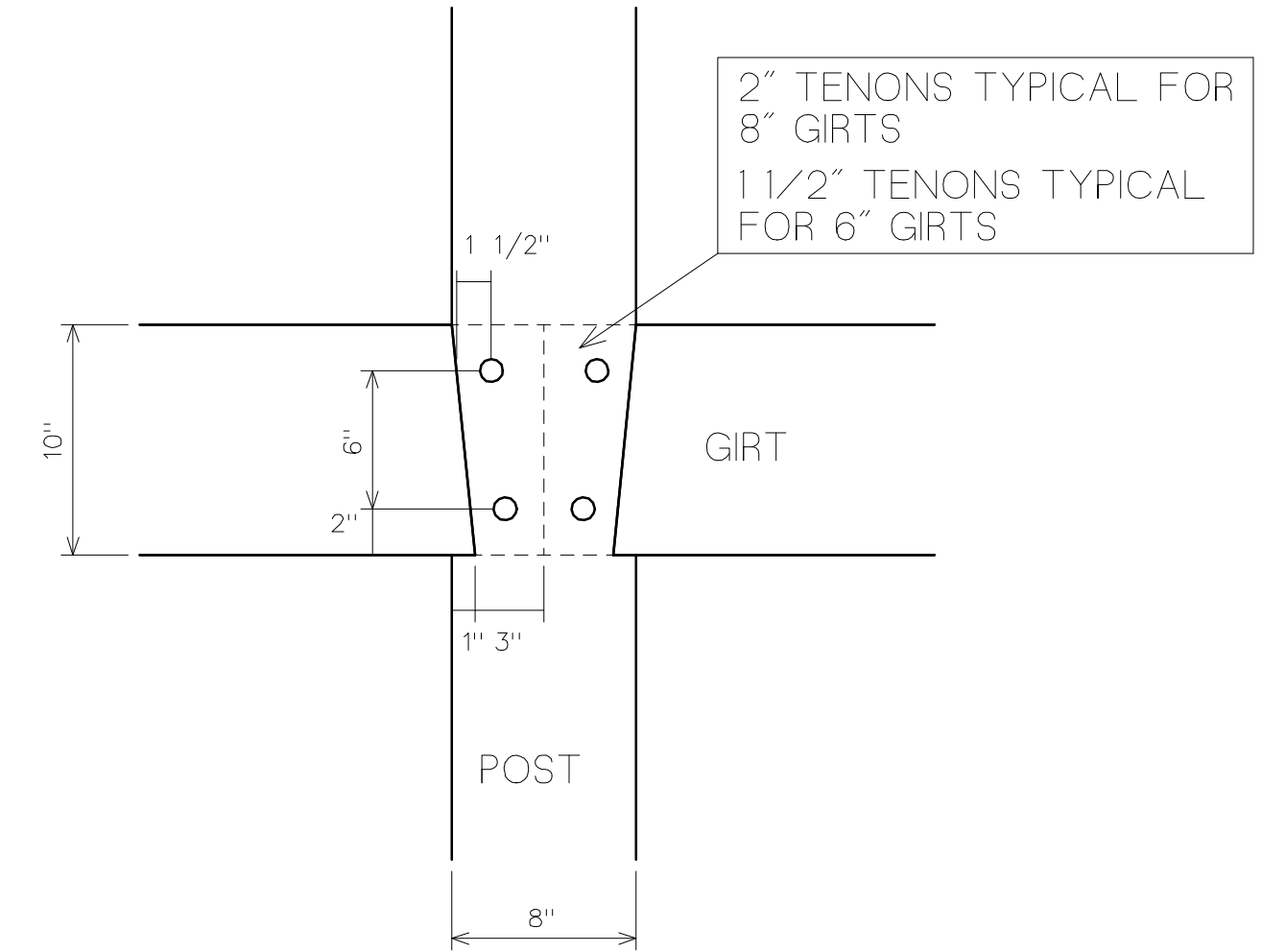
BENTS

PROJECT: KEANE TIMBER FRAMING

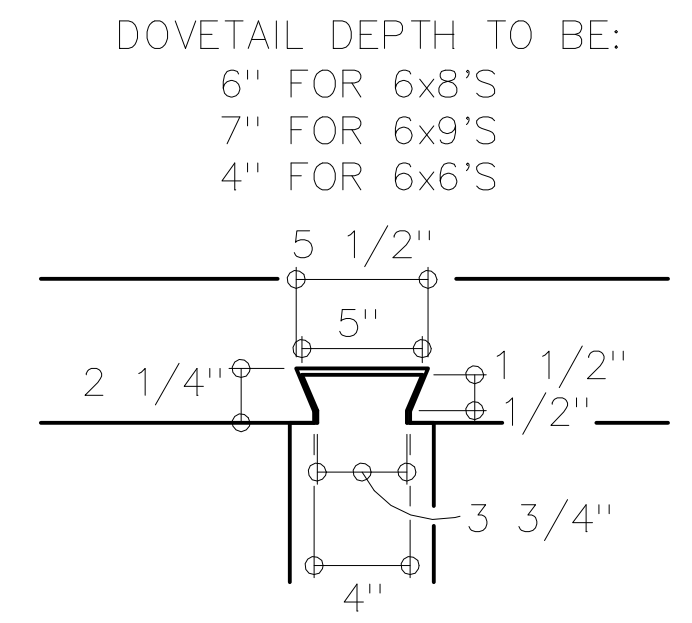
DRAWN : D.F.	CHECKED :
DATE : 9/8/97	
SCALE : 1/2" = 1'0"	
JOB NO. :	
SHEET	



TYPICAL BRACE

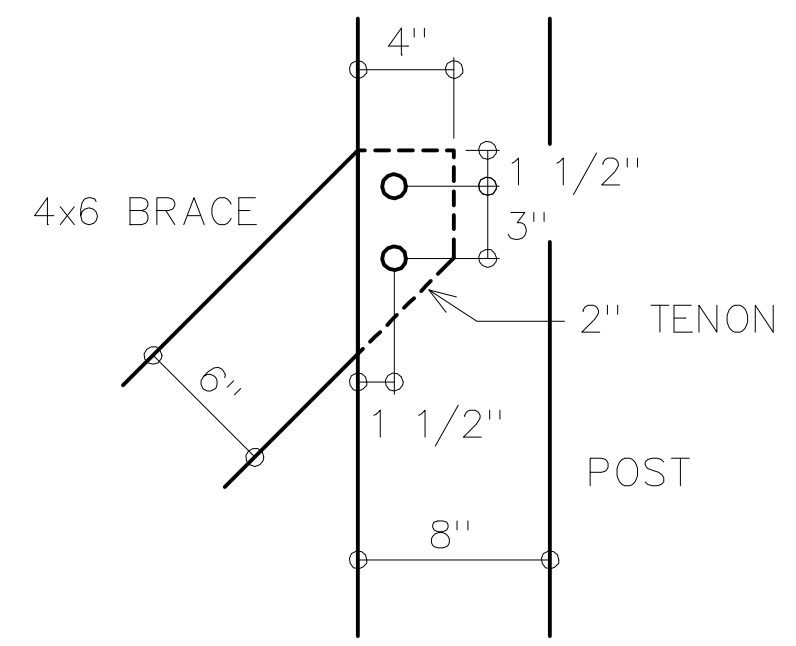


TYPICAL POST/GIRT CONNECTION

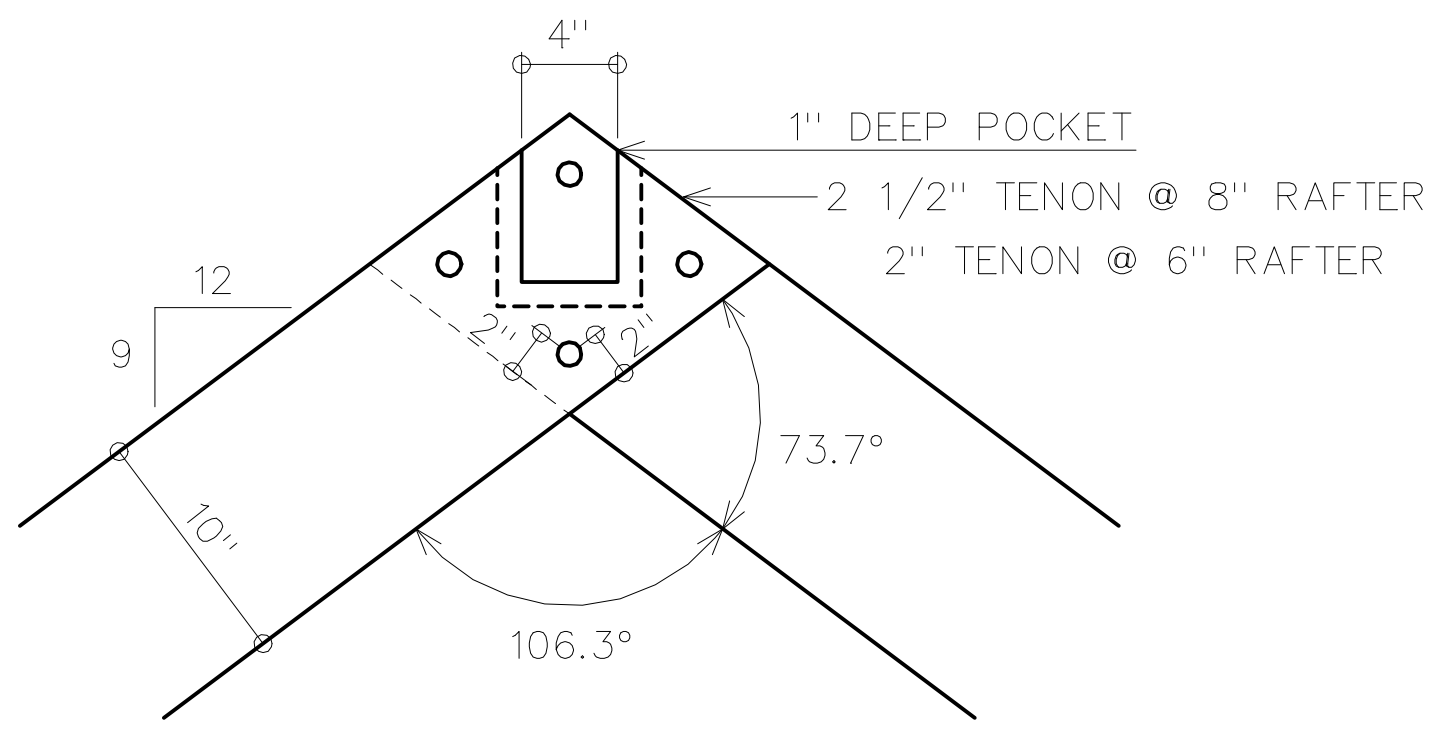


TYPICAL DOVETAIL

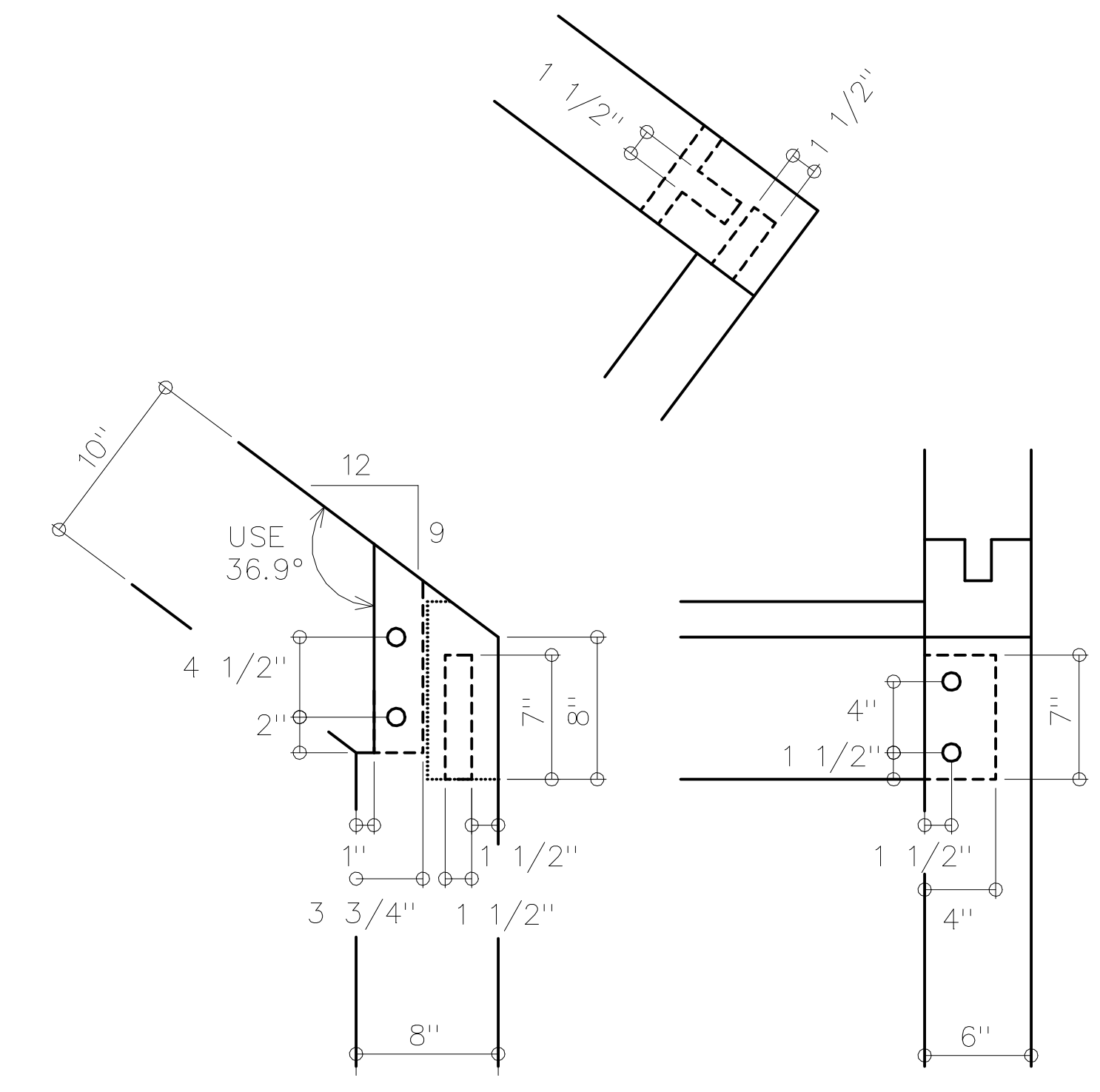
DOVETAIL DEPTH TO BE:
6" FOR 6x8'S
7" FOR 6x9'S
4" FOR 6x6'S



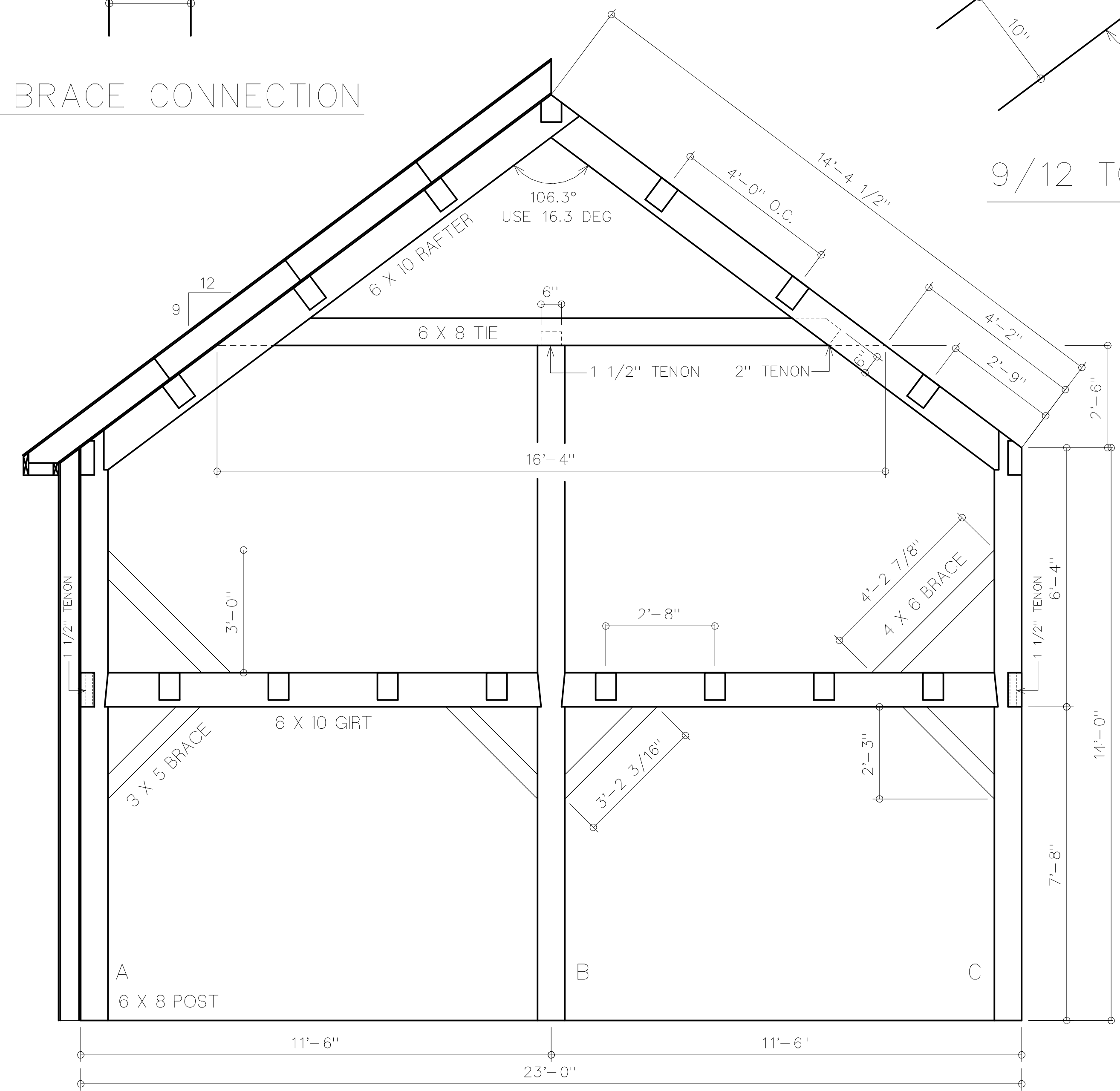
4x6 BRACE CONNECTION



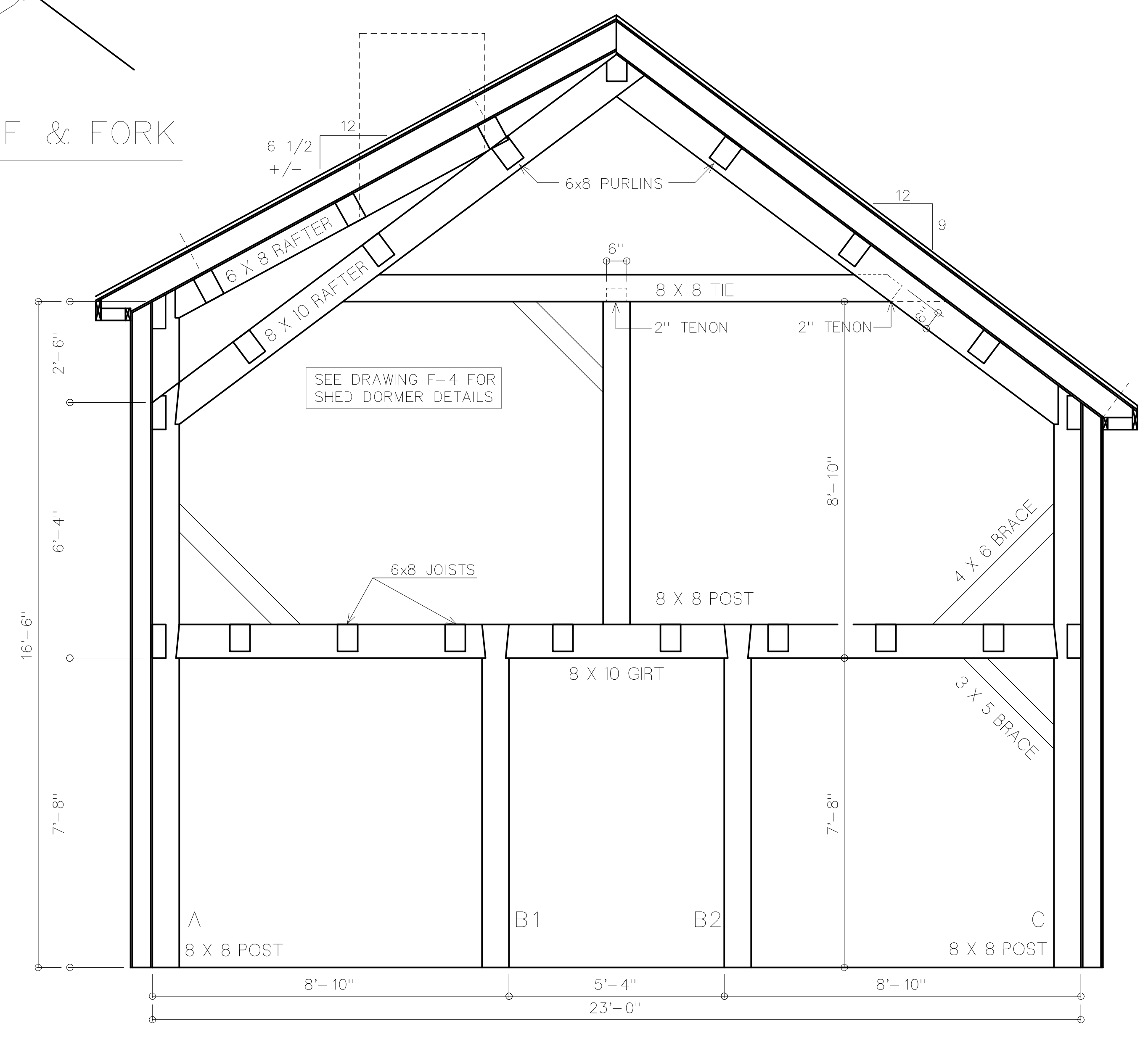
9/12 TONGUE & FORK



9/12 RAFTER FOOT



BENT 1



BENT 2