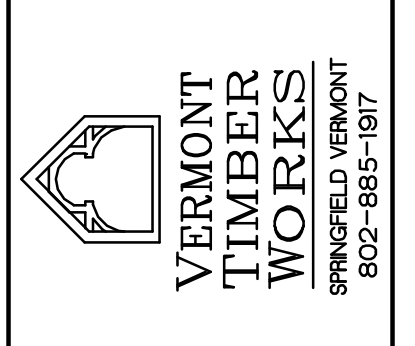


Preliminary Drawings
 Note: These drawings are preliminary. Minor changes in beam placement, size & design may be required for structural reasons. Architect and Contractor to Verify ALL Dimensions

General Notes:
 Timbers to be Douglas Fir #1 & Better S4S
 Pigs to be 1" birch
 All edges to have 1/2" chamfer
 One coat of urethane to be shop applied on all sides.
 All Bolts to be galvanized 3/4" Grade A307.
 All Steel to be A36 galvanized and to be shop primed flat black.

REVISIONS	BY
8/5/05	
9/20/05	
10/4/05	
11/1/05	PJZ

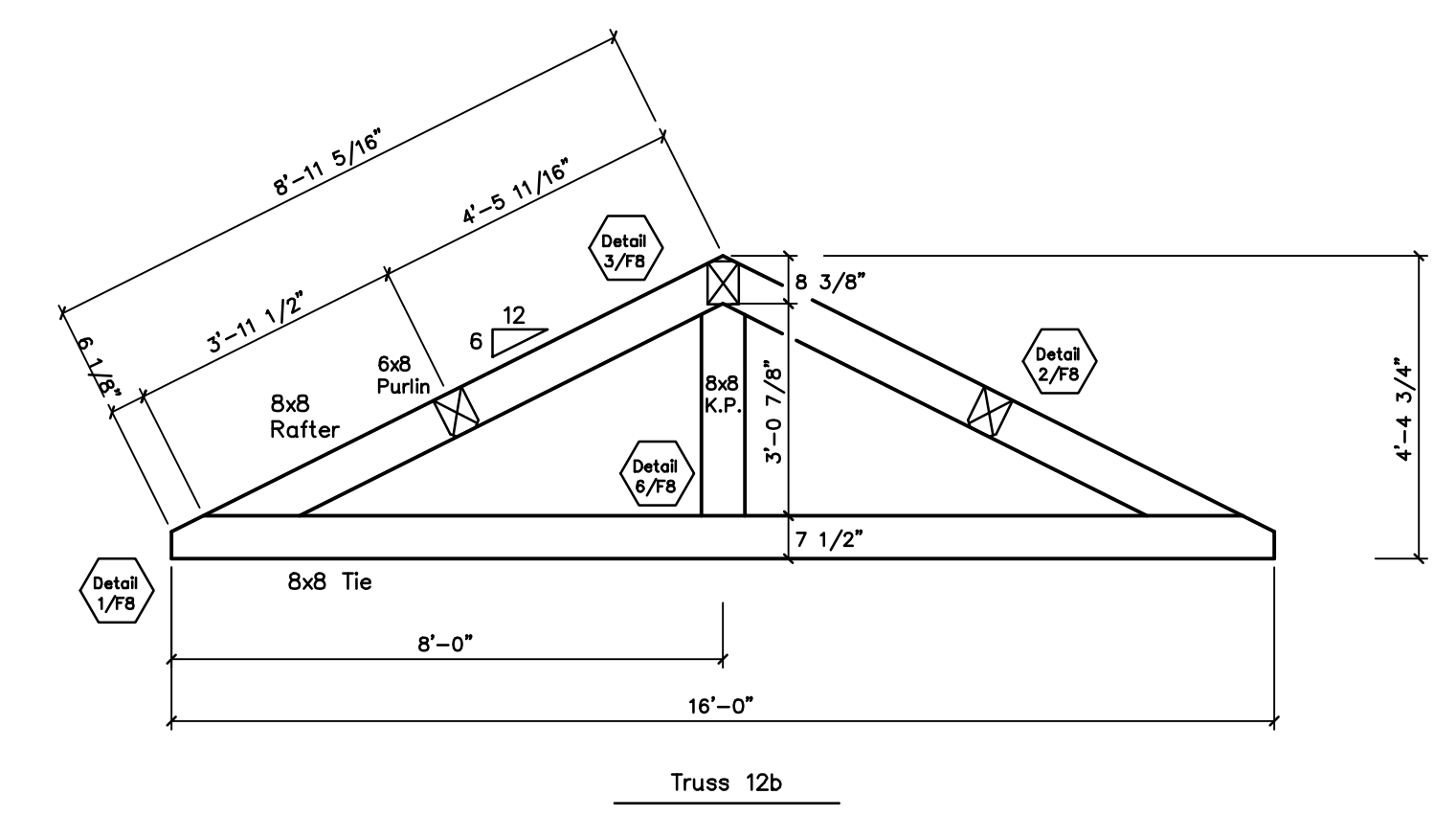
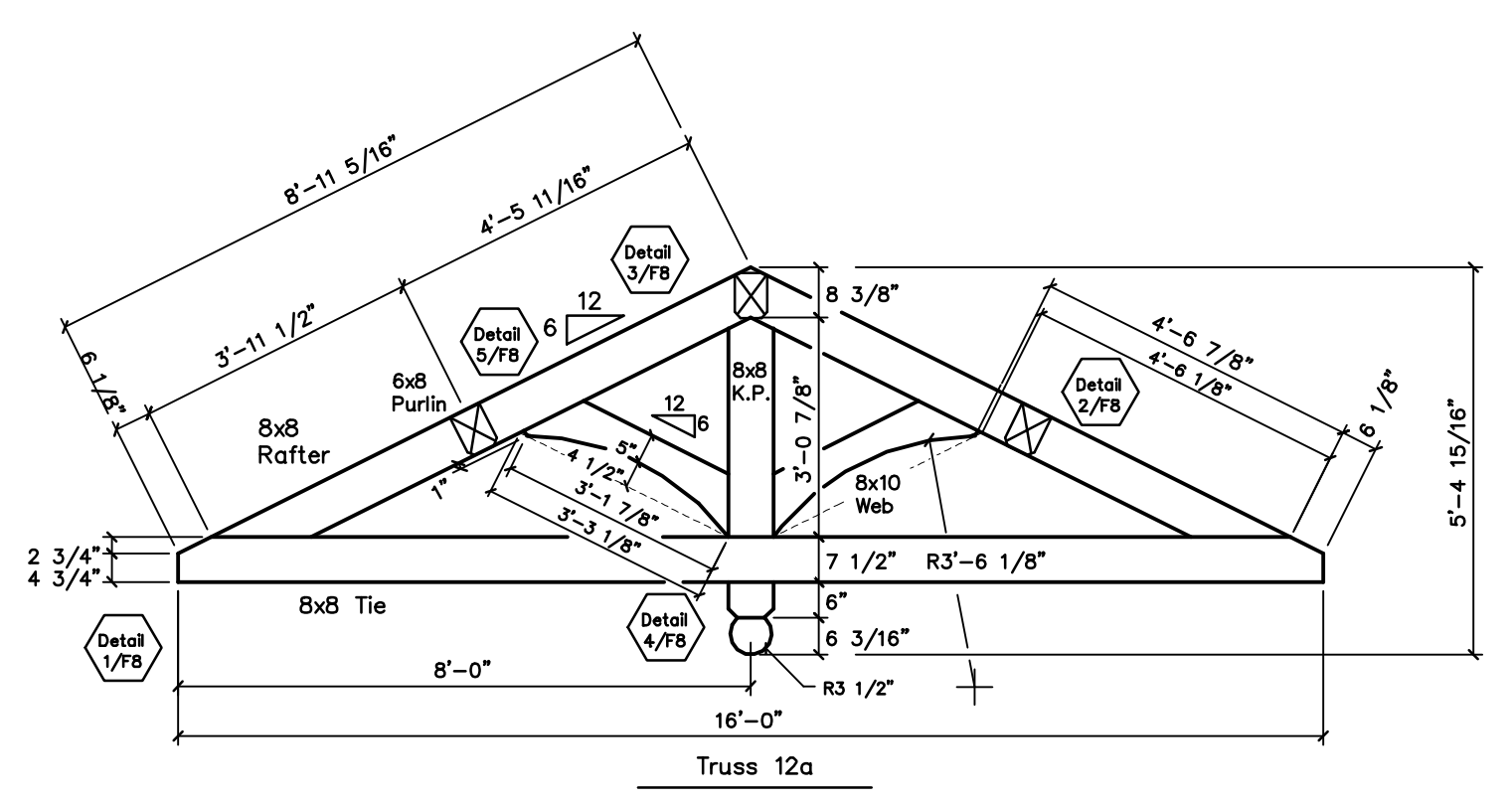
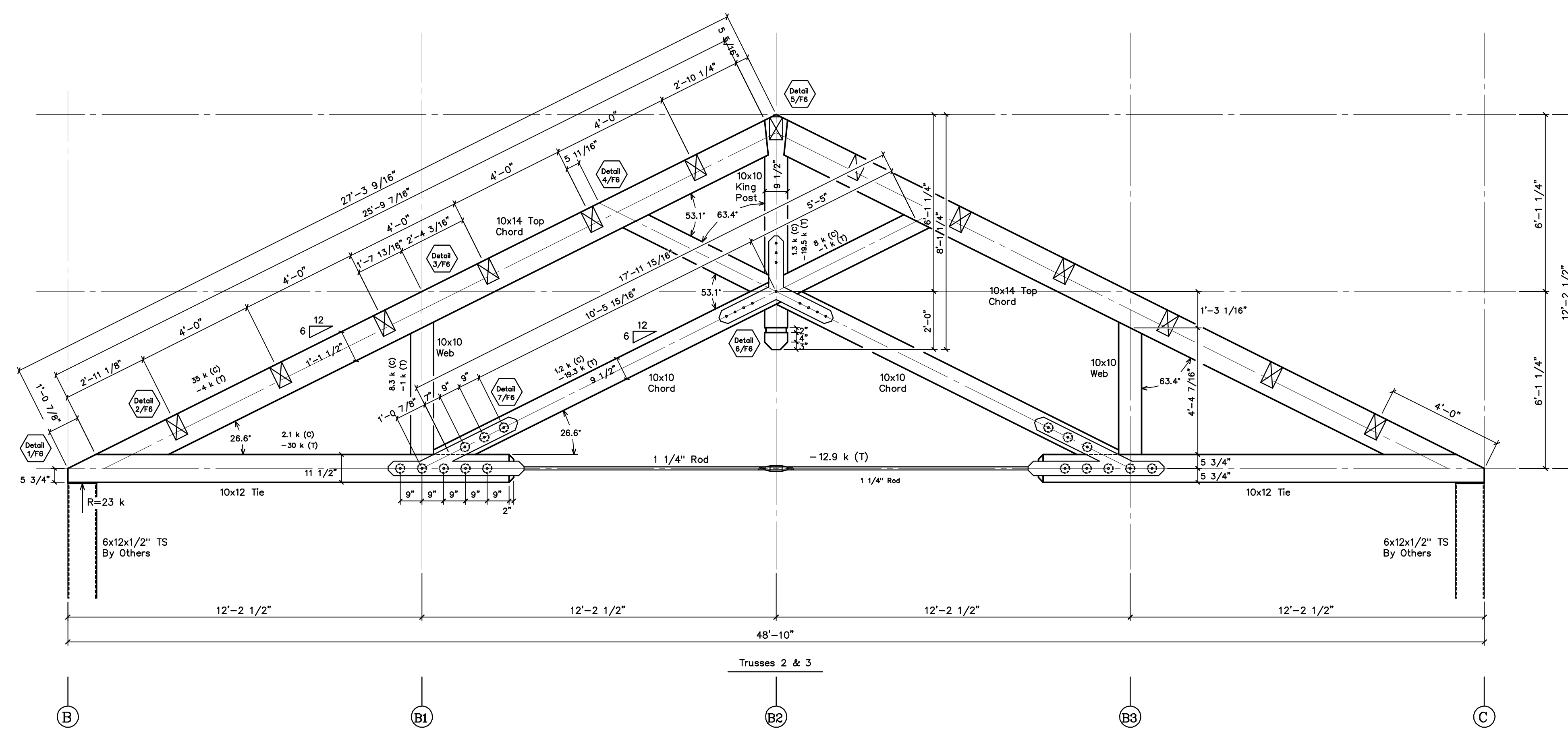
RED LINE CHECK
 BY: _____ DATE: _____



SHOP DRAWINGS
 Pool Area
 Truss Profiles
 X

For Material
 Order

PROJECT: Wakenah Pool House
 Timber Trusses
 Salem, CT



DRAWN :	CHECKED :
D.F.	
DATE : 6/2/05	
SCALE : 3/8" = 1'-0"	
JOB NO. :	
SHEET	
F-2	
OF	SHEETS