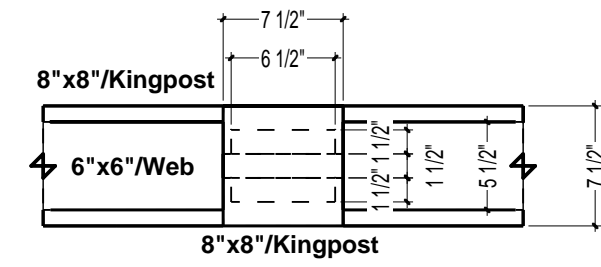
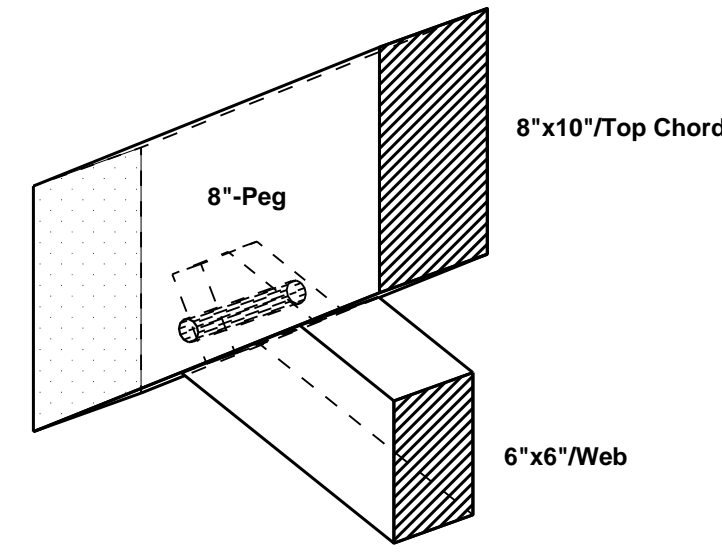


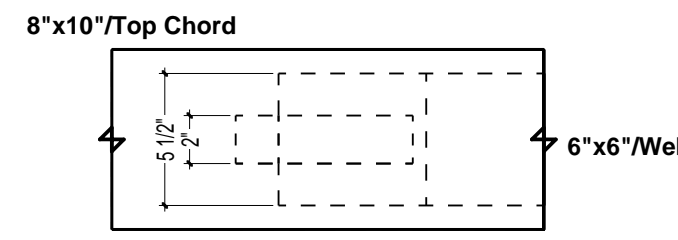
Location: Detail 7 Scale: 1:12 View: Axo



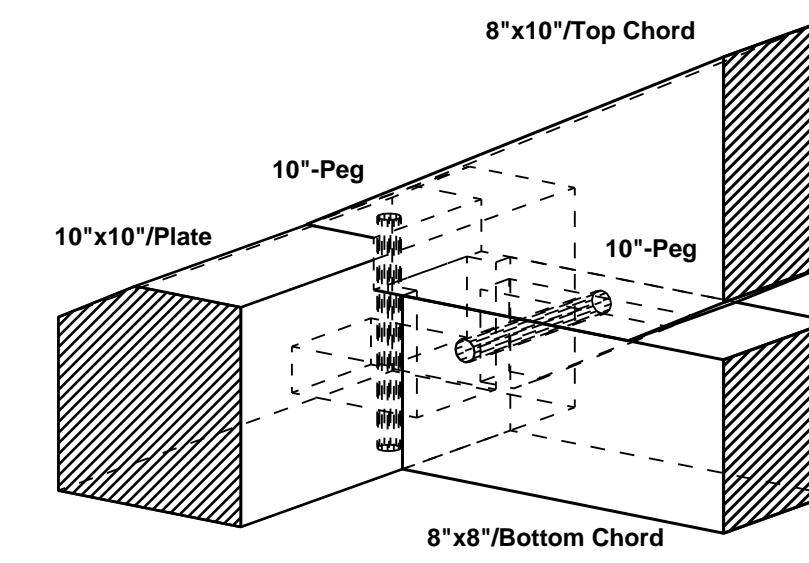
Location: Detail 7 Scale: 1:12 View: Top



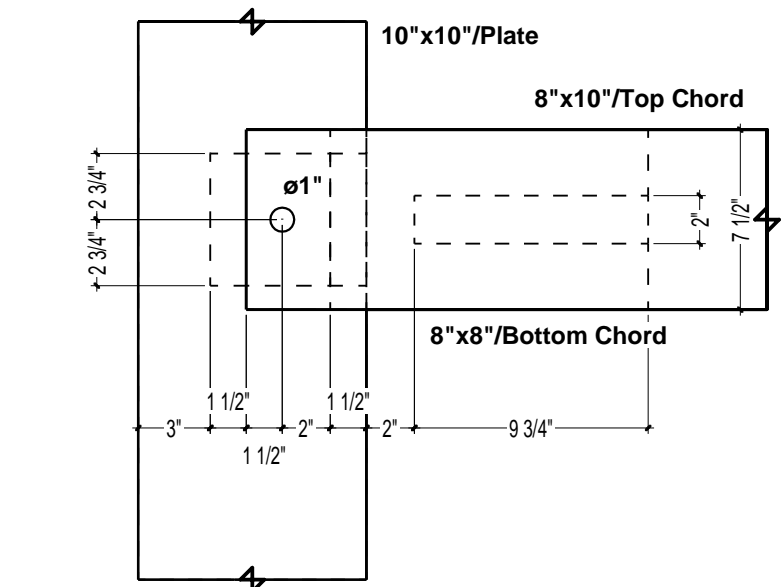
Location: Detail 8 Scale: 1:8 View: Axo



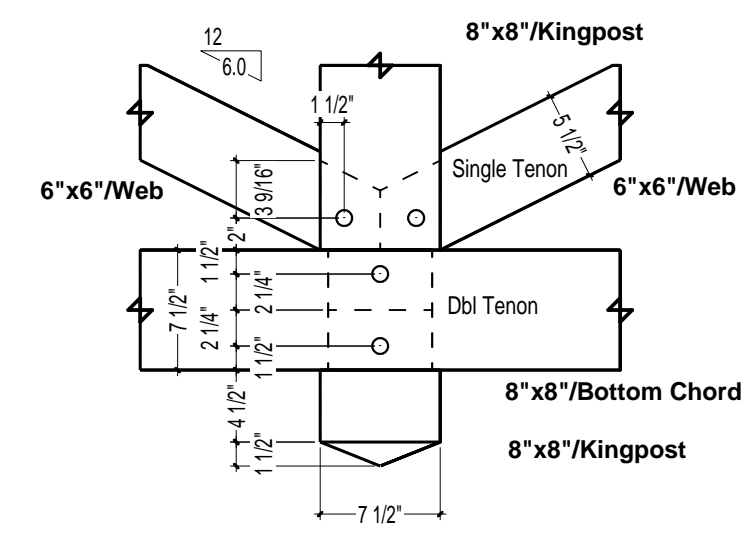
Location: Detail 8 Scale: 1:8 View: Top



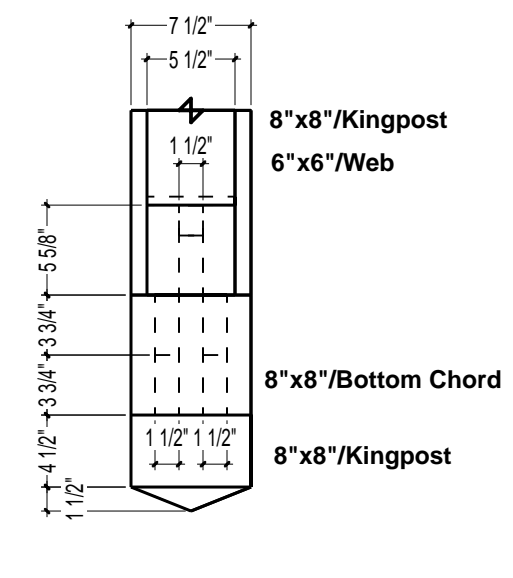
Location: Detail 9 Scale: 1:8 View: Axo



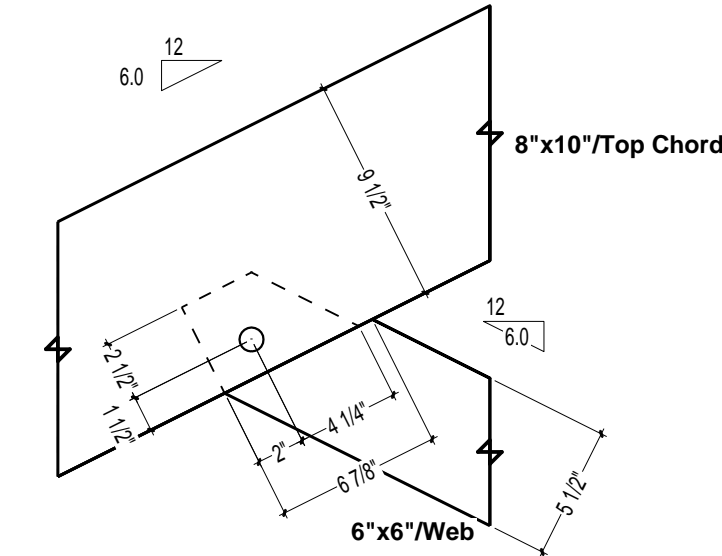
Location: Detail 9 Scale: 1:8 View: Top



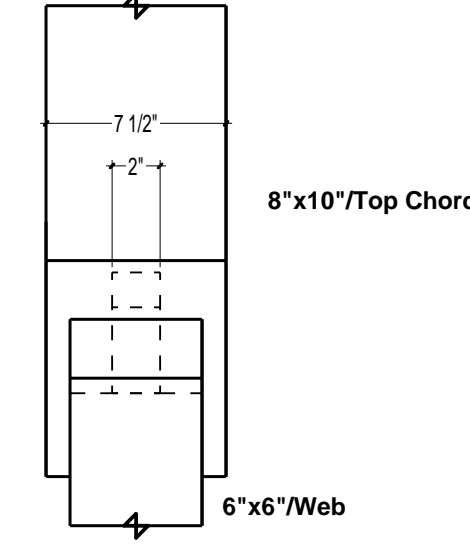
Location: Detail 7 Scale: 1:12 View: Bent



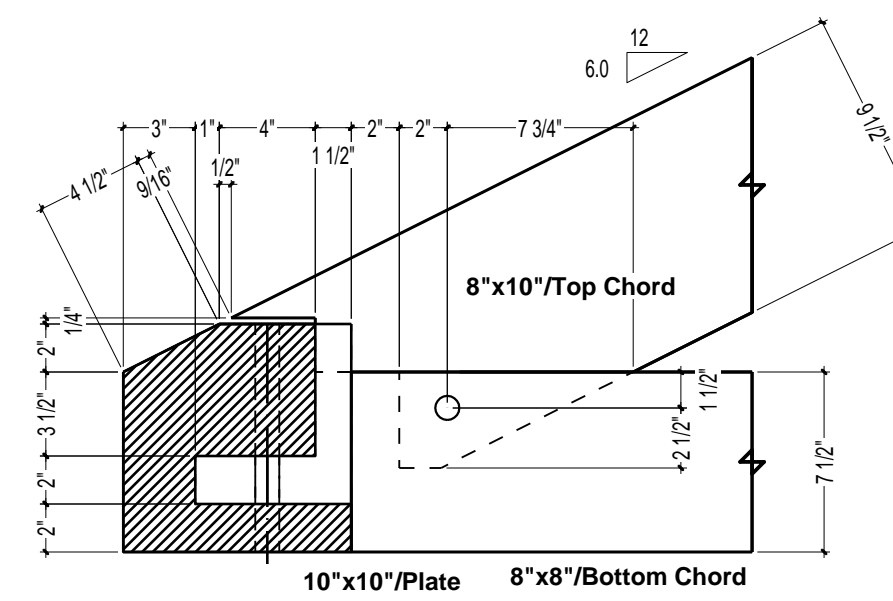
Location: Detail 7 Scale: 1:12 View: Bay



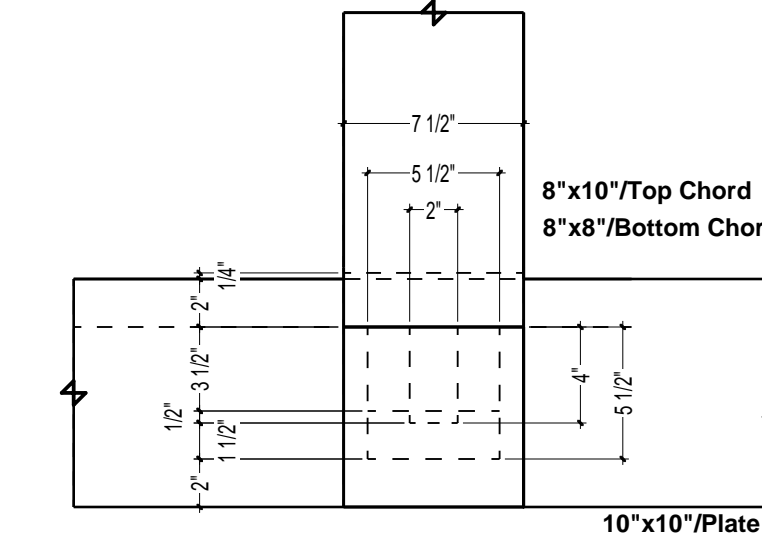
Location: Detail 8 Scale: 1:8 View: Bent



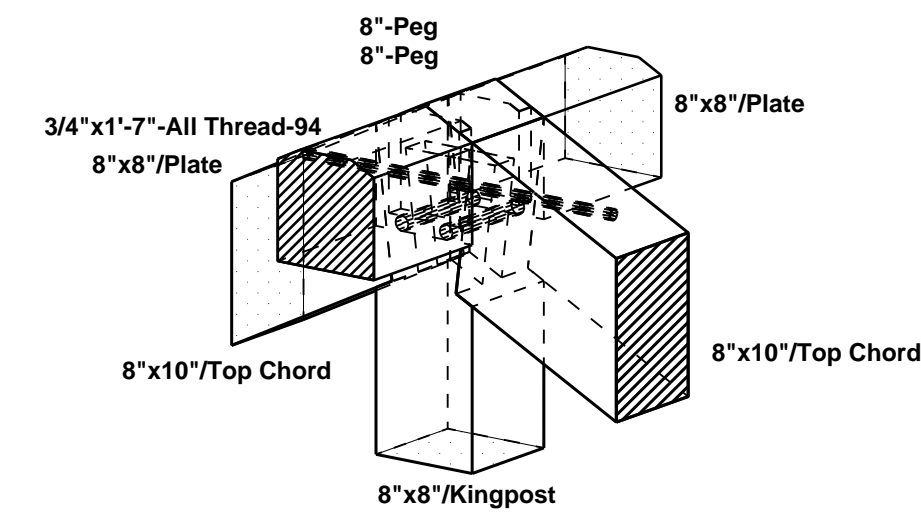
Location: Detail 8 Scale: 1:8 View: Bay



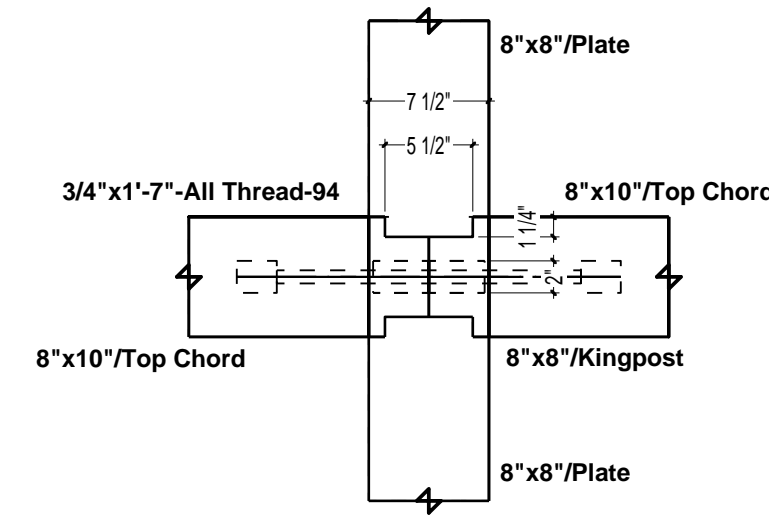
Location: Detail 9 Scale: 1:8 View: Bent



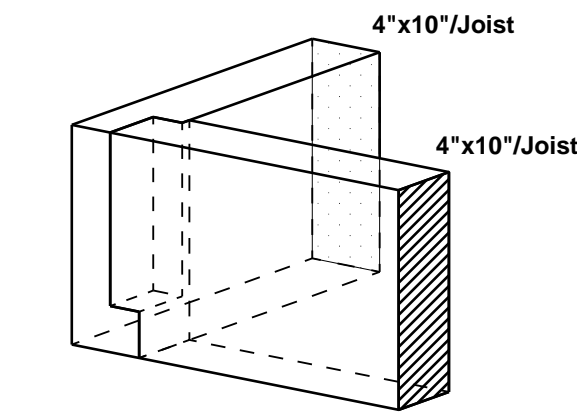
Location: Detail 9 Scale: 1:8 View: Bay



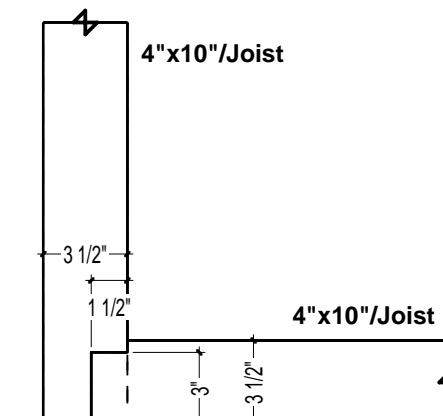
Location: Detail 10 Scale: 1:12 View: Axo



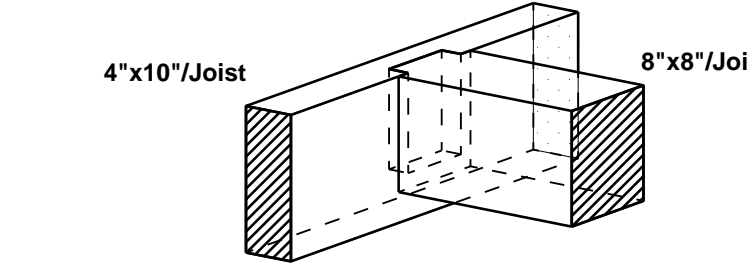
Location: Detail 10 Scale: 1:12 View: Top



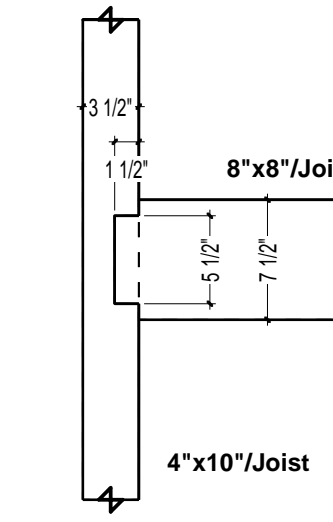
Location: Detail 11 Scale: 1:8 View: Axo



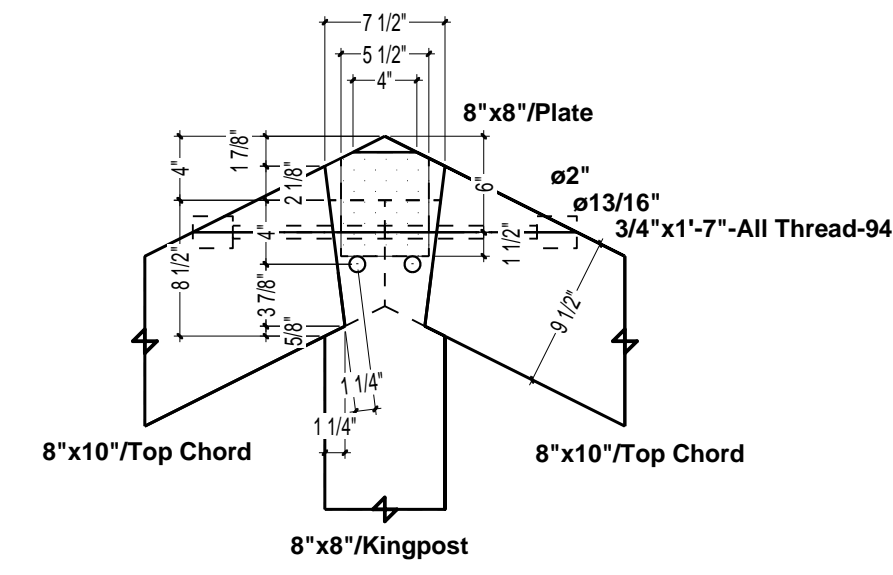
Location: Detail 11 Scale: 1:8 View: Top



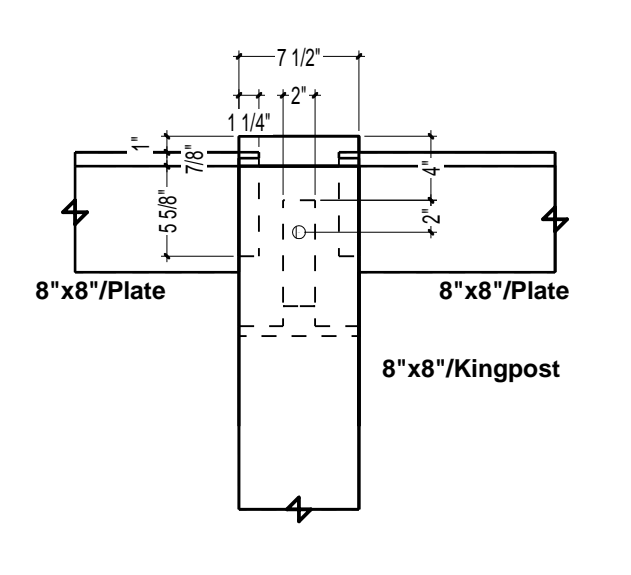
Location: Detail 12 Scale: 1:12 View: Axo



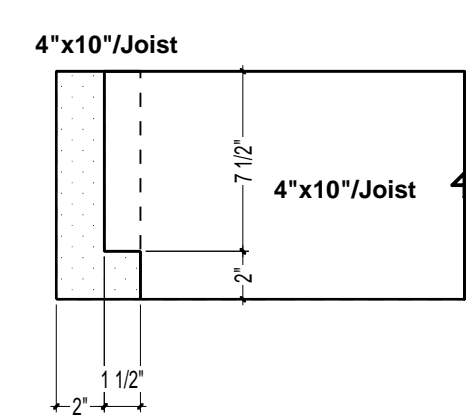
Location: Detail 12 Scale: 1:12 View: Top



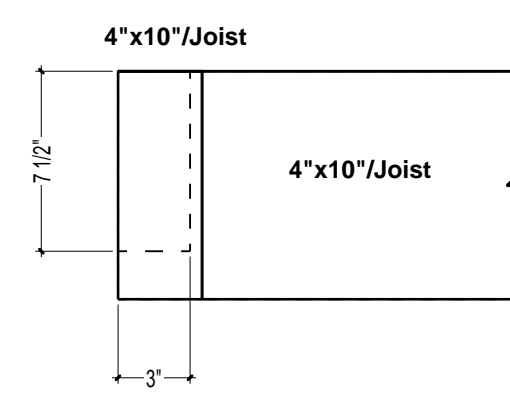
Location: Detail 10 Scale: 1:12 View: Bent



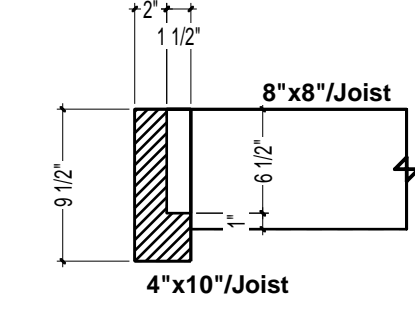
Location: Detail 10 Scale: 1:12 View: Bay



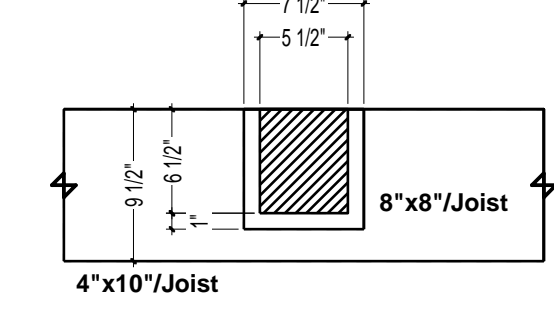
Location: Detail 11 Scale: 1:8 View: Bent



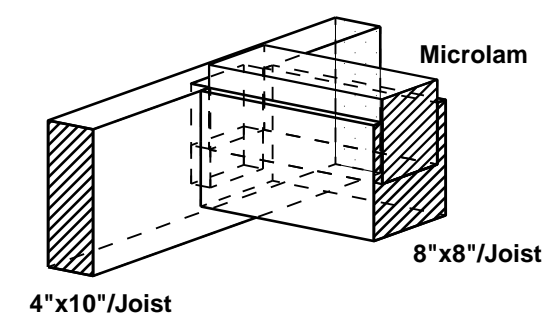
Location: Detail 11 Scale: 1:8 View: Bay



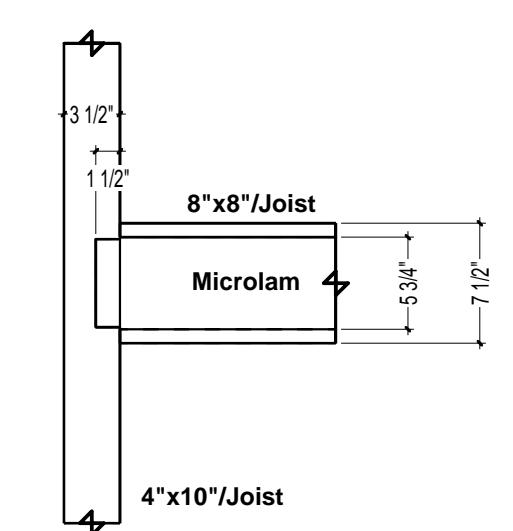
Location: Detail 12 Scale: 1:12 View: Bent



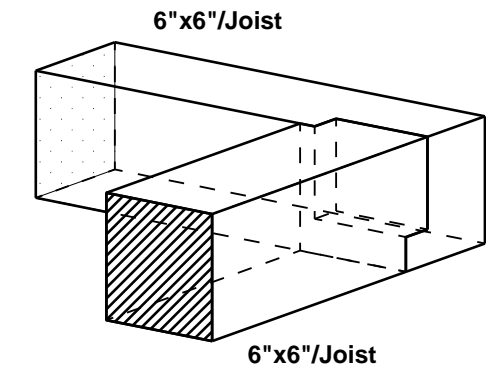
Location: Detail 12 Scale: 1:12 View: Bay



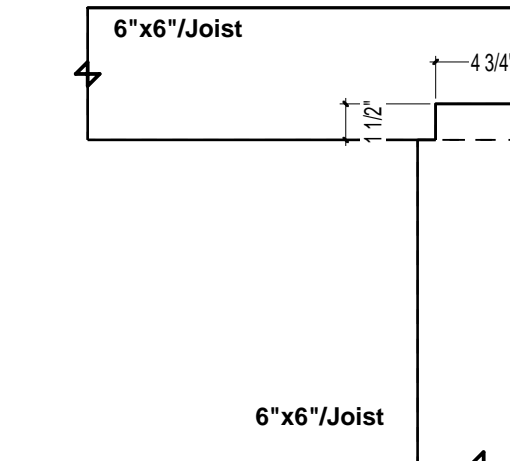
Location: Detail 13 Scale: 1:12 View: Axo



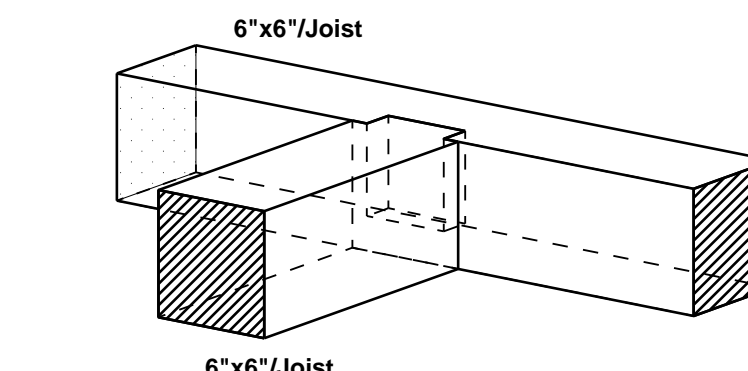
Location: Detail 13 Scale: 1:12 View: Top



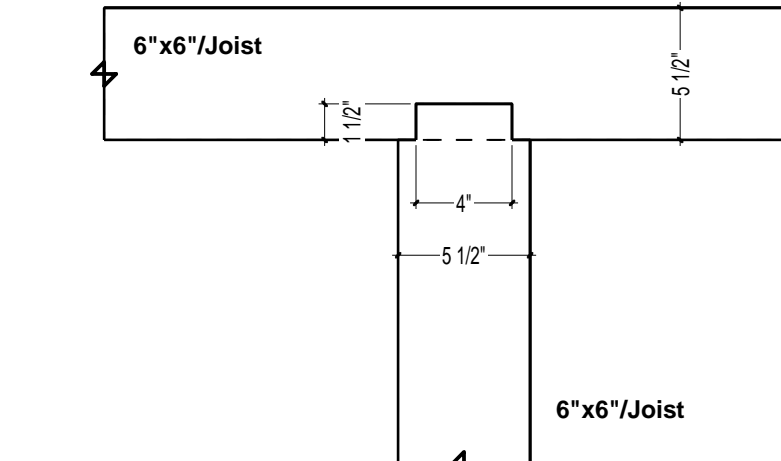
Location: Detail 14 Scale: 1:8 View: Axo



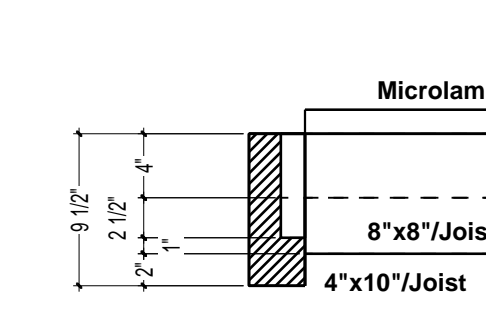
Location: Detail 14 Scale: 1:8 View: Top



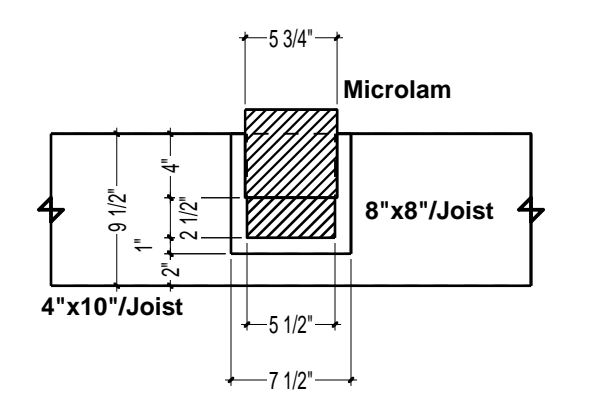
Location: Detail 15 Scale: 1:8 View: Axo



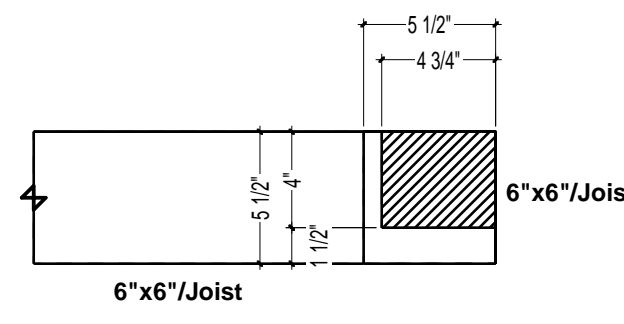
Location: Detail 15 Scale: 1:8 View: Top



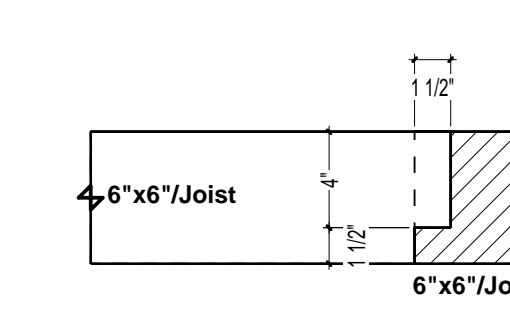
Location: Detail 13 Scale: 1:12 View: Bent



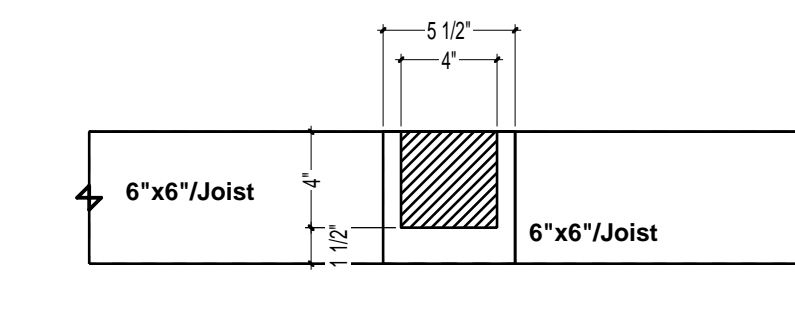
Location: Detail 13 Scale: 1:12 View: Bay



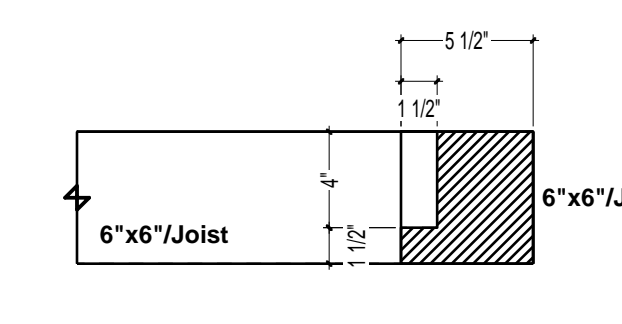
Location: Detail 14 Scale: 1:8 View: Bent



Location: Detail 14 Scale: 1:8 View: Bay



Location: Detail 15 Scale: 1:8 View: Bent



Location: Detail 15 Scale: 1:8 View: Bay

REVISIONS	BY	CHECKED BY
05/11/10	XX	XX