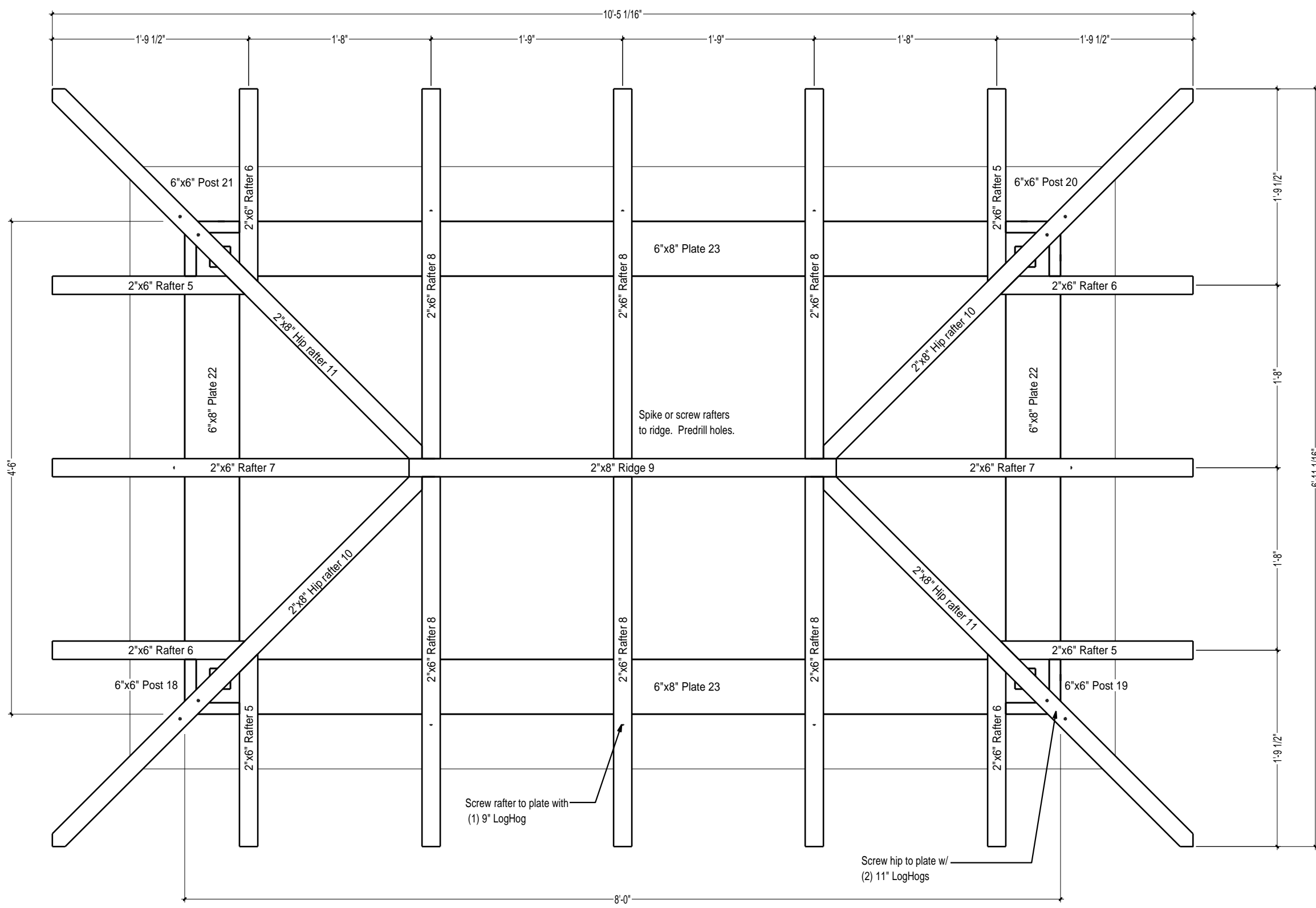
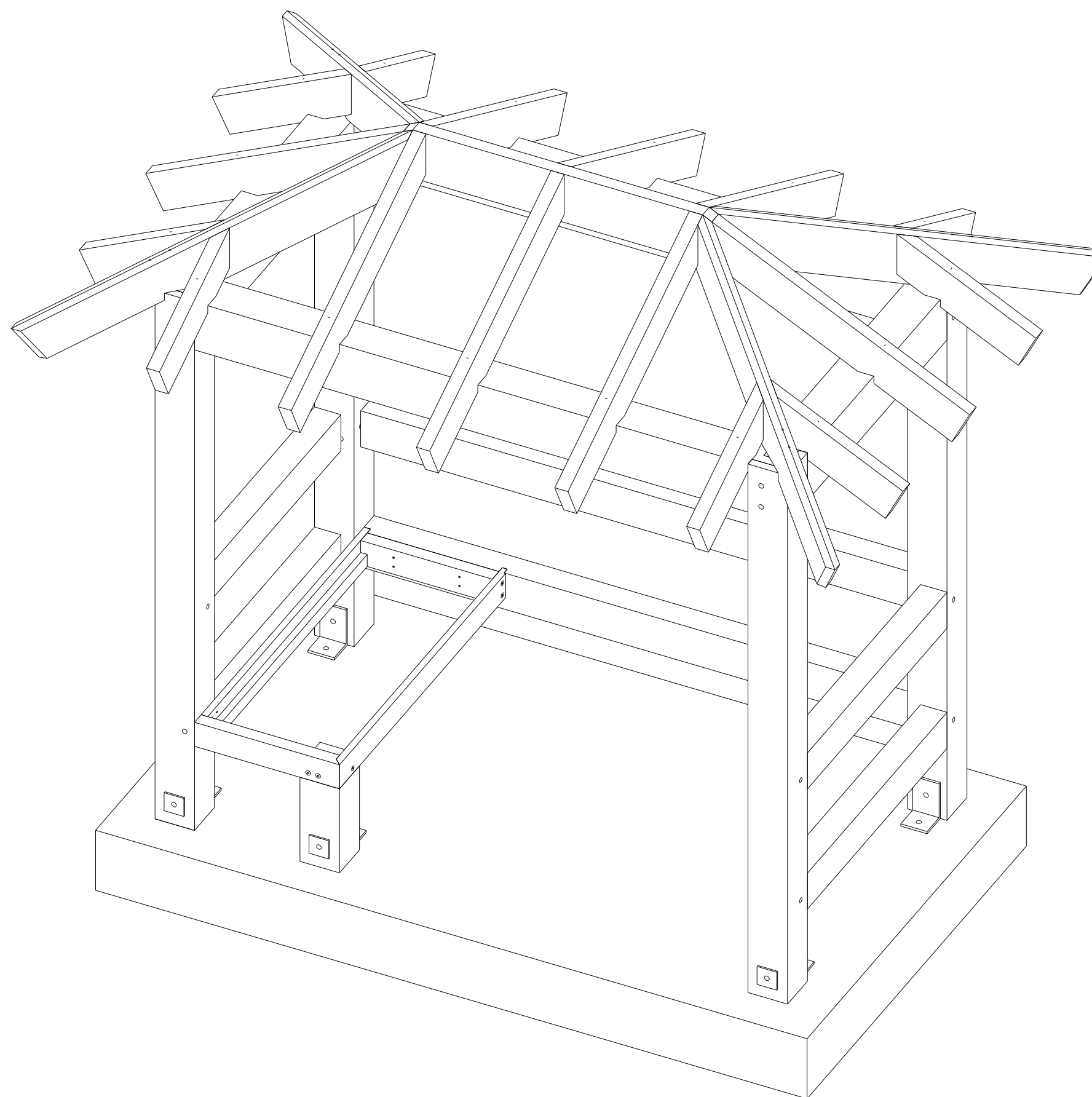
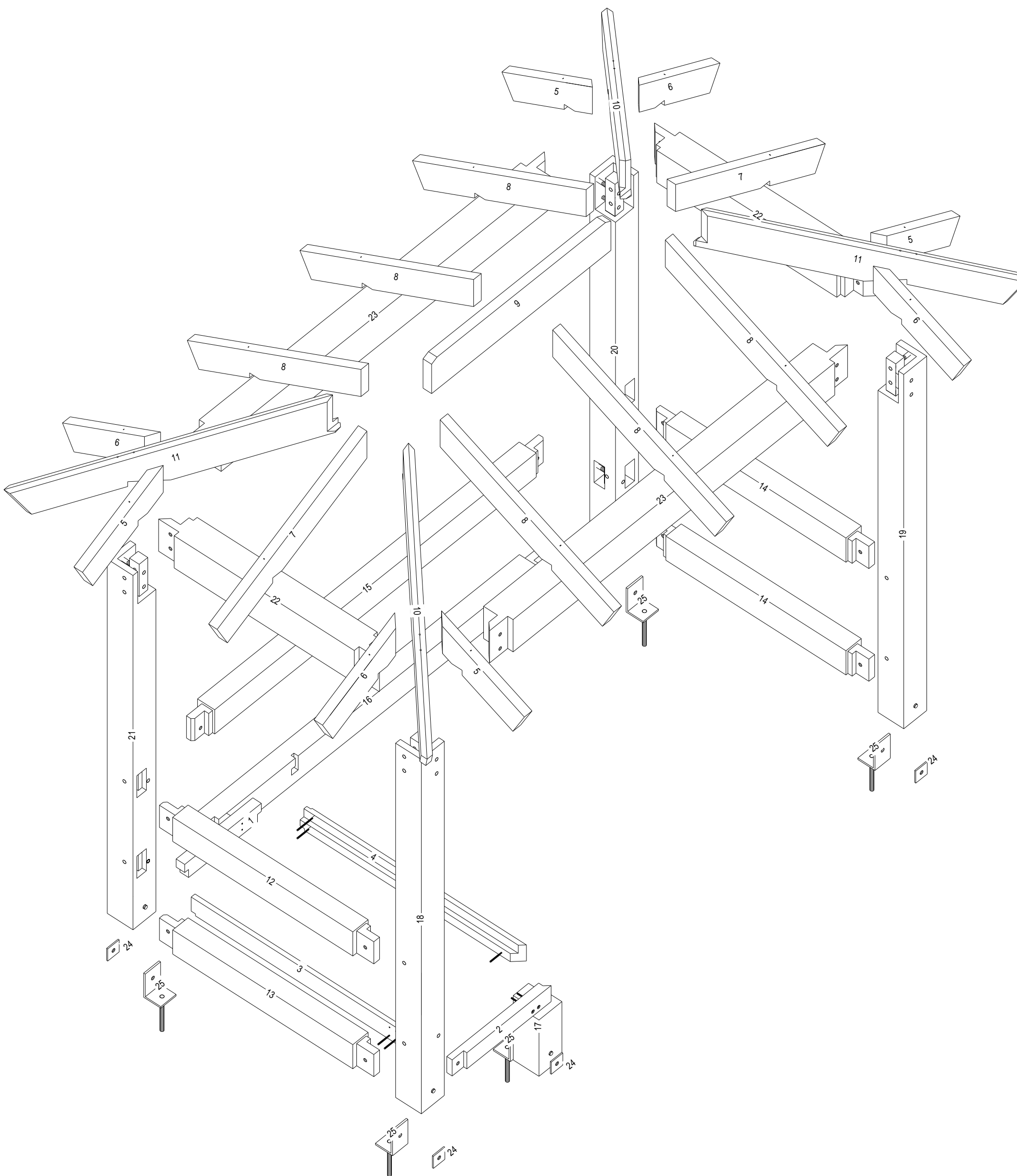


POST LAYOUT PLAN



ROOF FRAMING PLAN



**Preliminary Drawings**  
 Note: These drawings are preliminary. Minor changes in beam placement, size & design may be required for structural reasons. Architect and Contractor to verify ALL dimension.

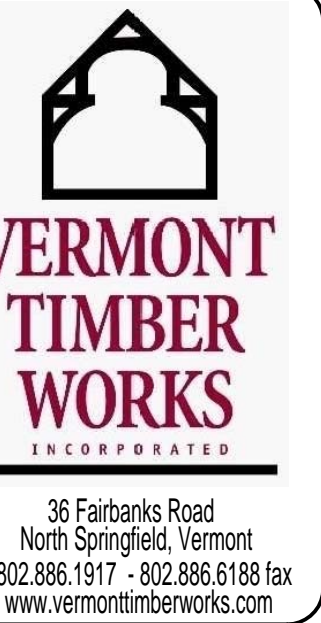
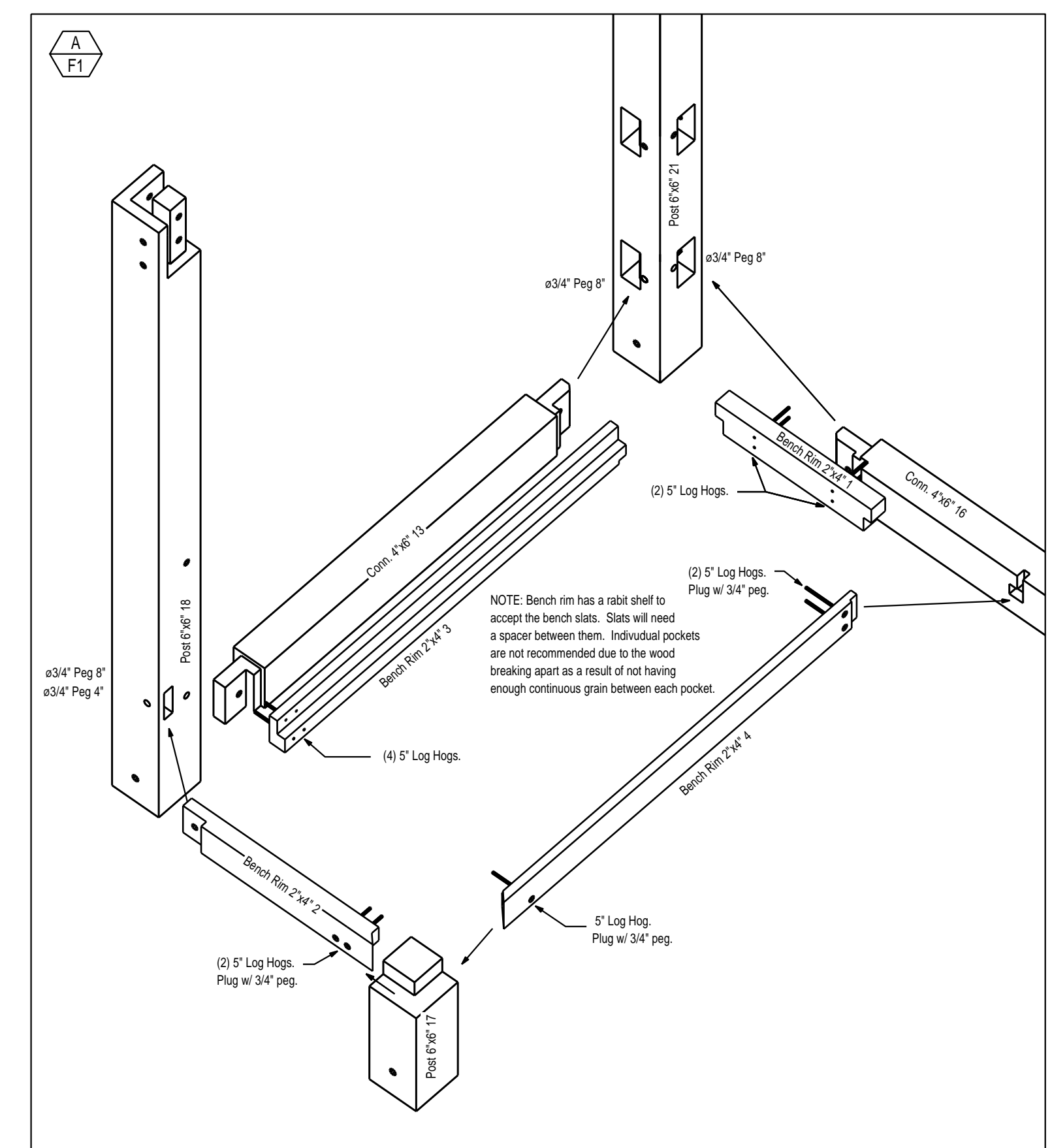
**General Notes:**  
 Timbers to be White Oak, Rough Sawn  
 Pegs to be 1" Oak, cut flush with the frame  
 One coat of stain, oil or urethane to be shop applied on all sides.  
 All Bolts to be 3/4" galvanized Grade A307.  
 All Steel to be A36 and to be galvanized and shop primed flat black.

**PRODUCTION NUMBER LIST**

No.PL	No.TL	Name	Material	Quantity	List width [inch]	List height [inch]	Real Length [inch]
1	1	Bench Rim	Oak	1	2"	4"	1'-8"
2	2	Bench Rim	Oak	1	2"	4"	2'-1"
3	3	Bench Rim	Oak	1	2"	4"	4'-1"
4	4	Bench Rim	Oak	1	2"	4"	4'-3"
5	5	Rafter	Oak	4	2"	6"	1'-11 9/16"
6	5	Rafter	Oak	4	2"	6"	1'-11 9/16"
7	6	Rafter	Oak	2	2"	6"	3'-7 11/16"
8	7	Rafter	Oak	6	2"	6"	3'-9 5/16"
9	8	Ridge	Oak	1	2"	8"	3'-10 13/16"
10	9	Hip rafter	Oak	2	2"	8"	5'-3/4"
11	9	Hip rafter	Oak	2	2"	8"	5'-3/4"
12	10	Conn.	Oak	1	4"	6"	4'-2"
13	10	Conn.	Oak	1	4"	6"	4'-2"
14	10	Conn.	Oak	2	4"	6"	4'-2"
15	11	Conn.	Oak	1	4"	6"	7'-8"
16	11	Conn.	Oak	1	4"	6"	7'-8"
17	12	Post	Oak	1	6"	6"	1'-4"
18	13	Post	Oak	1	6"	6"	7'-4"
19	13	Post	Oak	1	6"	6"	7'-4"
20	13	Post	Oak	1	6"	6"	7'-4"
21	13	Post	Oak	1	6"	6"	7'-4"
22	14	Plate	Oak	2	6"	8"	4'-3 1/2"
23	15	Plate	Oak	2	6"	8"	7'-9 1/2"
24	16	Plate Washer	Steel	5	0"	3"	3"
25	17	L6x4x3/8	Steel	5	4"	6"	4"

**BOLT AND PEG LIST**

No.TL	Name	Material	Quantity	Diameter [inch]	List length [inch]
18	Peg	Oak / Ø 19	9	3/4"	5"
19	Peg	Oak / Ø 19	8	3/4"	7"
20	Peg	Oak / Ø 19	12	3/4"	8"
21	LogHog	Steel / Ø 6	13	1/4"	5"
22	LogHog	Steel / Ø 6	16	1/4"	9"
23	LogHog	Steel / Ø 6	8	1/4"	11"
24	Bolt	Steel / Ø 19	5	3/4"	8"
Sum: Total			71		



THE ENGINEERING ADVICE, OPINIONS, AND RECOMMENDATIONS IN THIS DRAWING ARE THOSE OF THE LICENSED PROFESSIONAL ENGINEER WHOSE STAMP APPEARS HEREIN, AND NOT THOSE OF VERMONT TIMBER WORKS, INC.

Framing Plan  
 Perspectives

Project: Weathersfield Bus Shelter  
 Timber Frame Bus Shelter  
 Weathersfield, VT

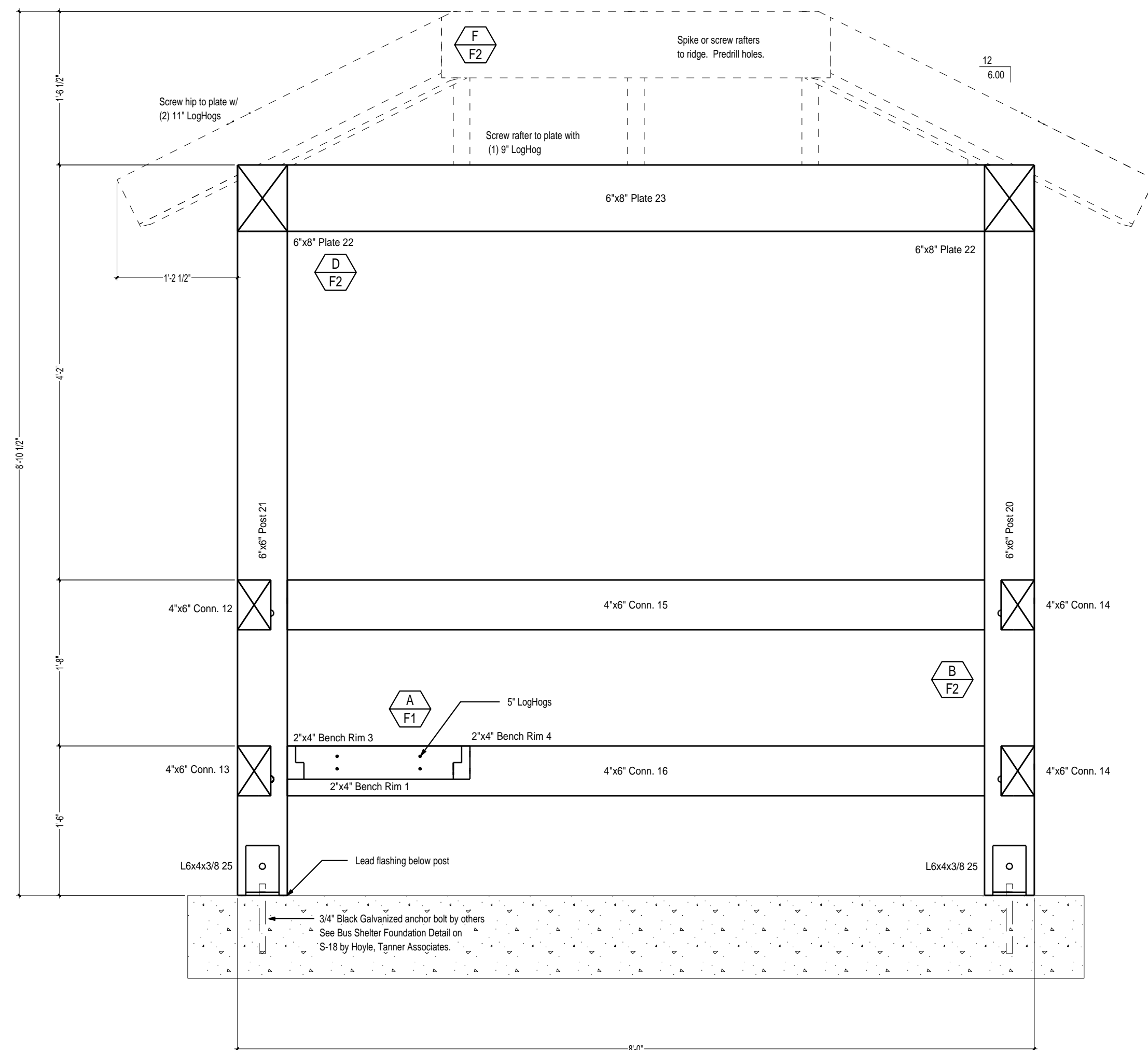
Drawn By: PJZ  
 Scale: 1/2"=1'-0"  
 Date: 5/1/09

Plot Date: 04-30-09

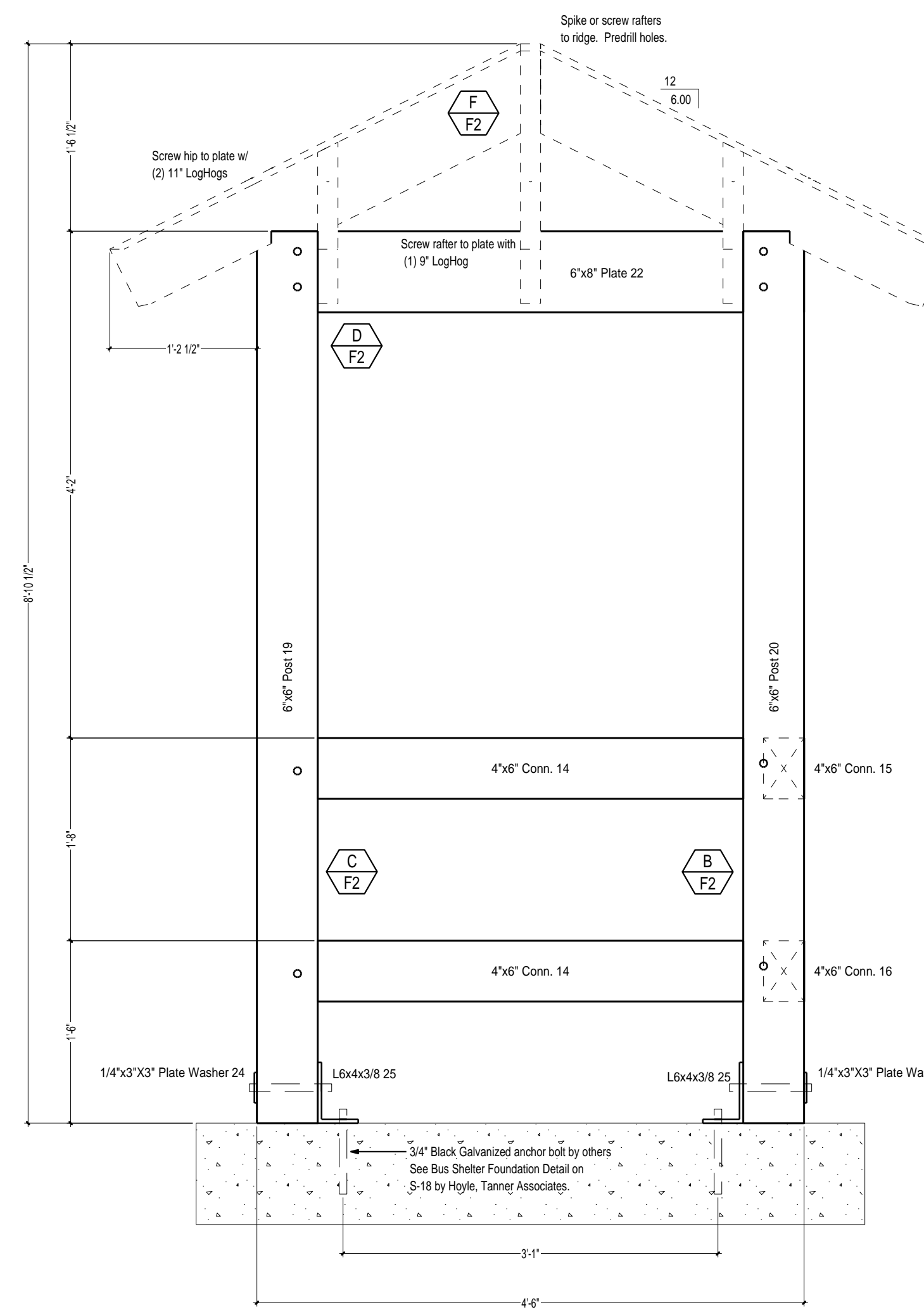
REVISIONS	BY
XX/XX/XX	XX

SHEET  
**F-1**

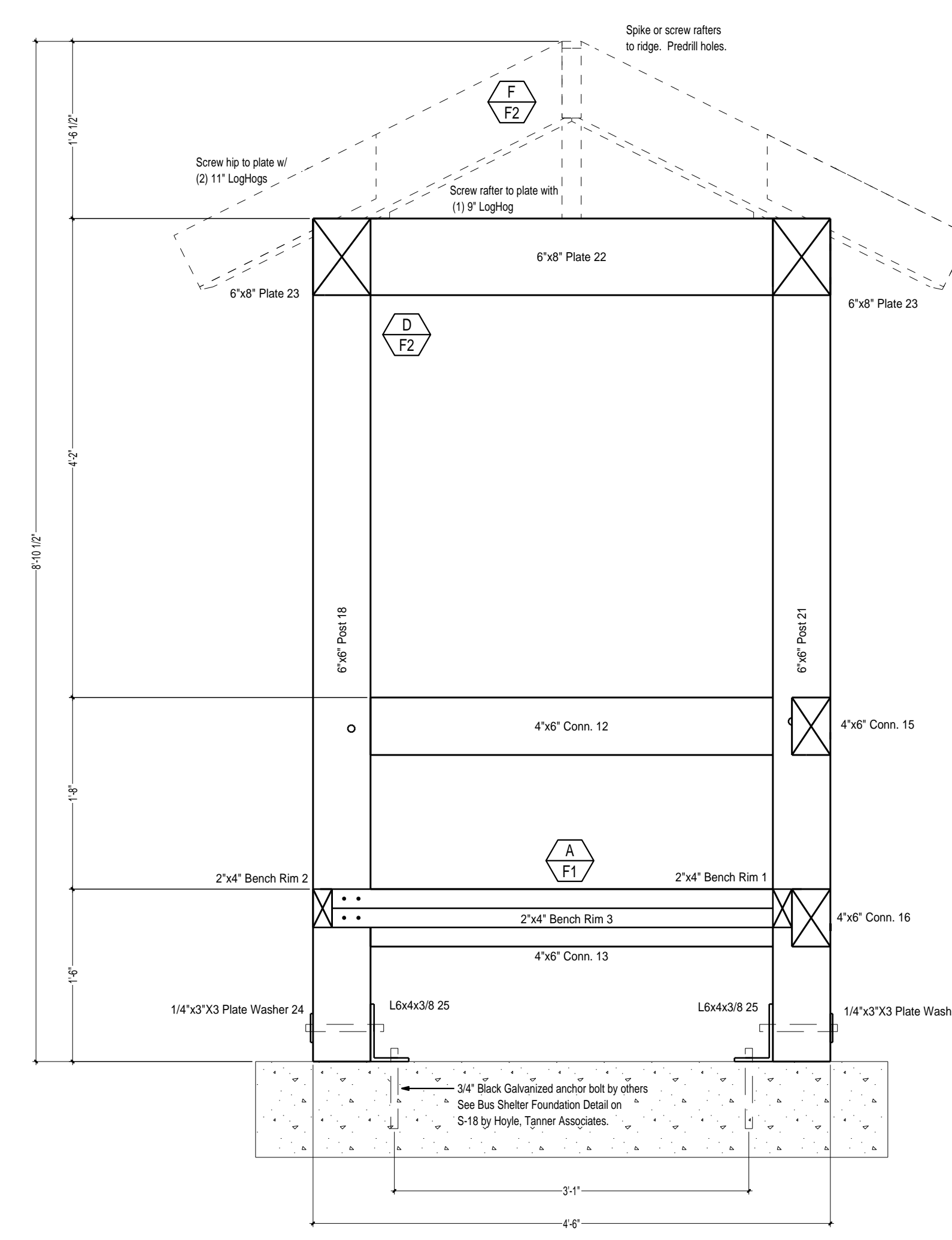
COPYRIGHT VERMONT TIMBER WORKS, INC.  
 THIS DRAWING MAY BE UTILIZED ONLY FOR THE WORK SHOWN HEREIN AT THE SITE SPECIFIED. ANY OTHER USE OF THIS DRAWING INCLUDING, WITHOUT LIMITATION, ANY REPRODUCTION OR ALTERATION OF THIS ARCHITECTURAL WORK WITHOUT THE PRIOR WRITTEN APPROVAL OF VERMONT TIMBER WORKS, INC. IS A VIOLATION OF LAW AND PROHIBITED.



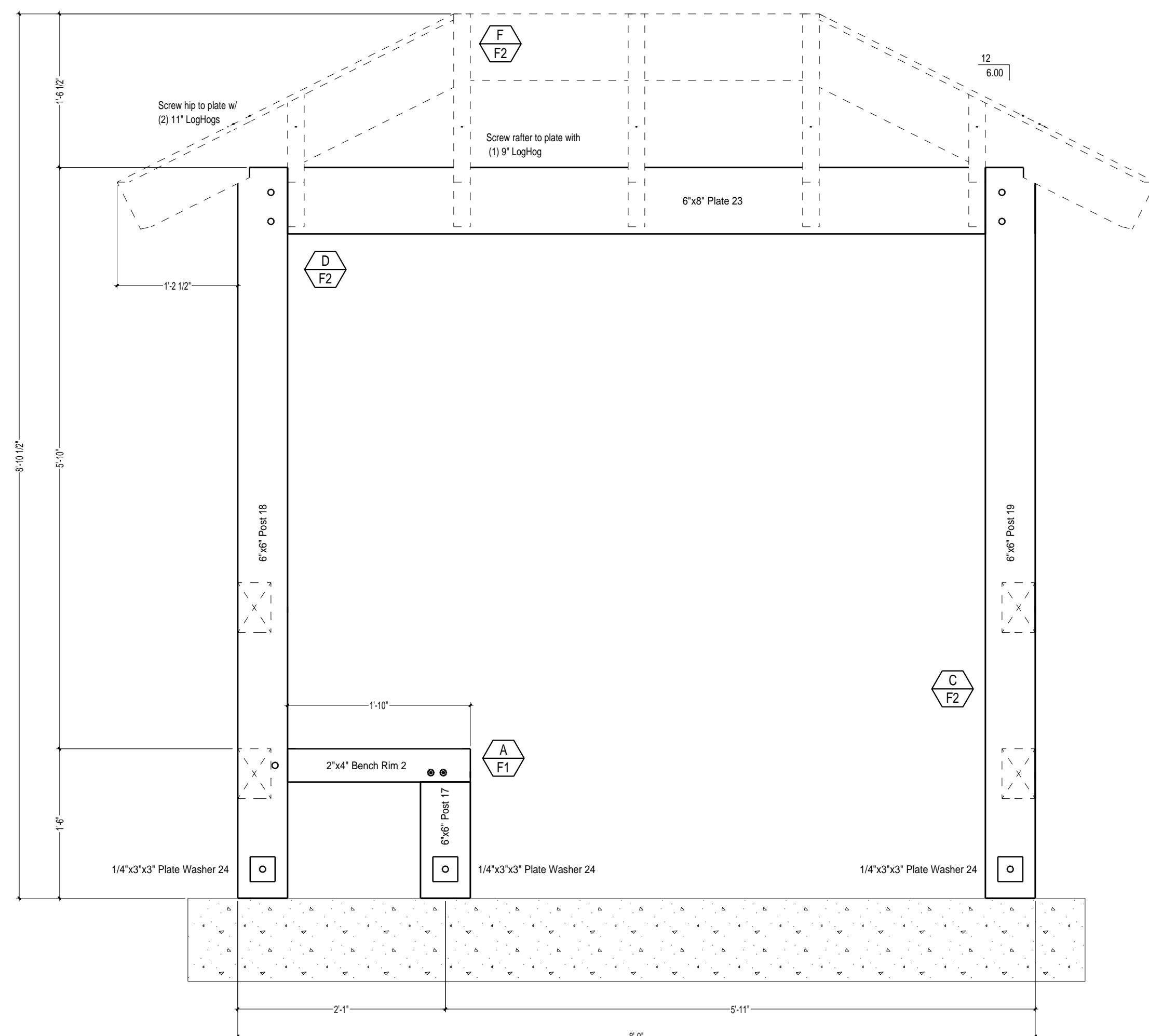
REAR FRAMING SECTION



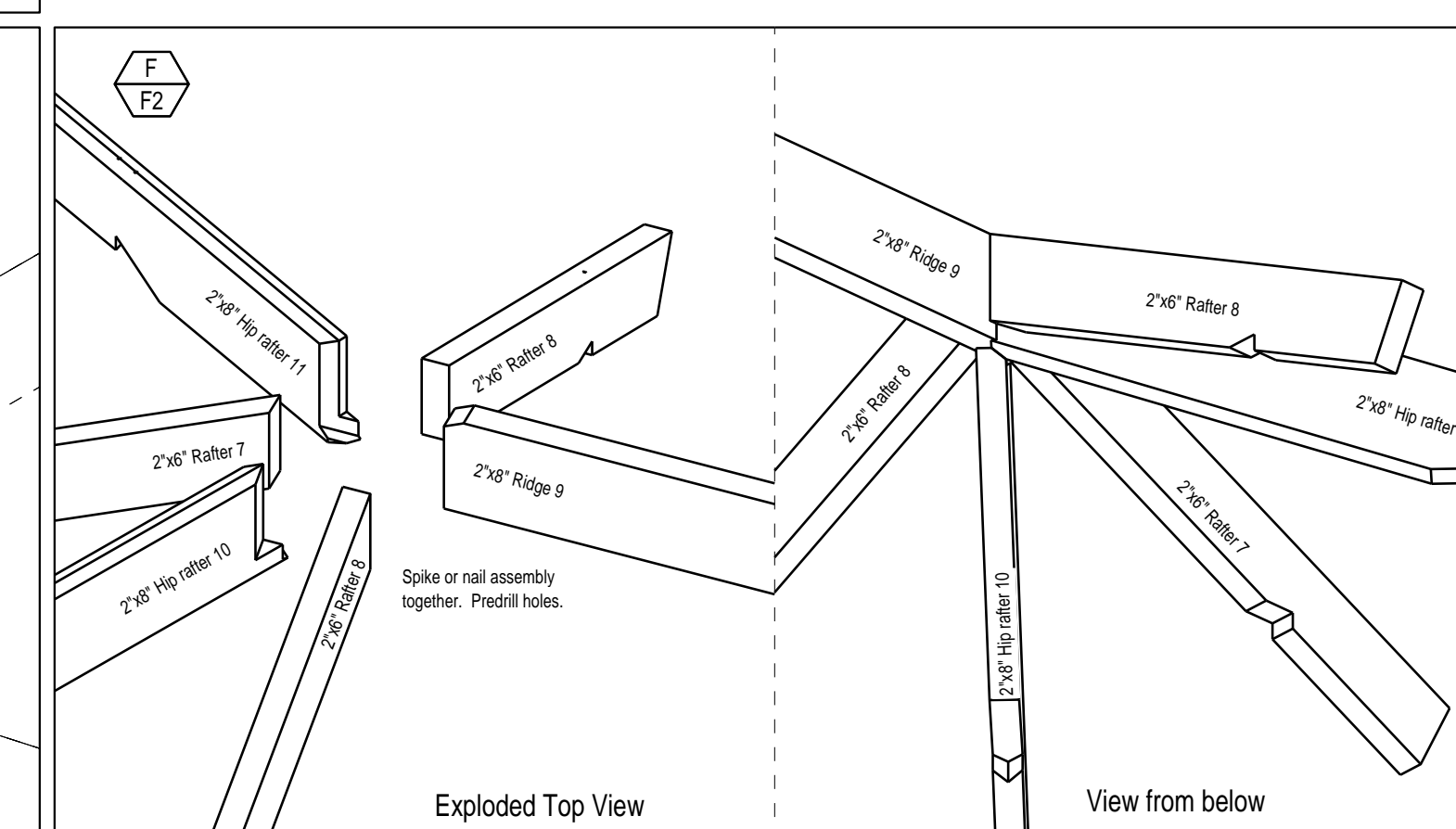
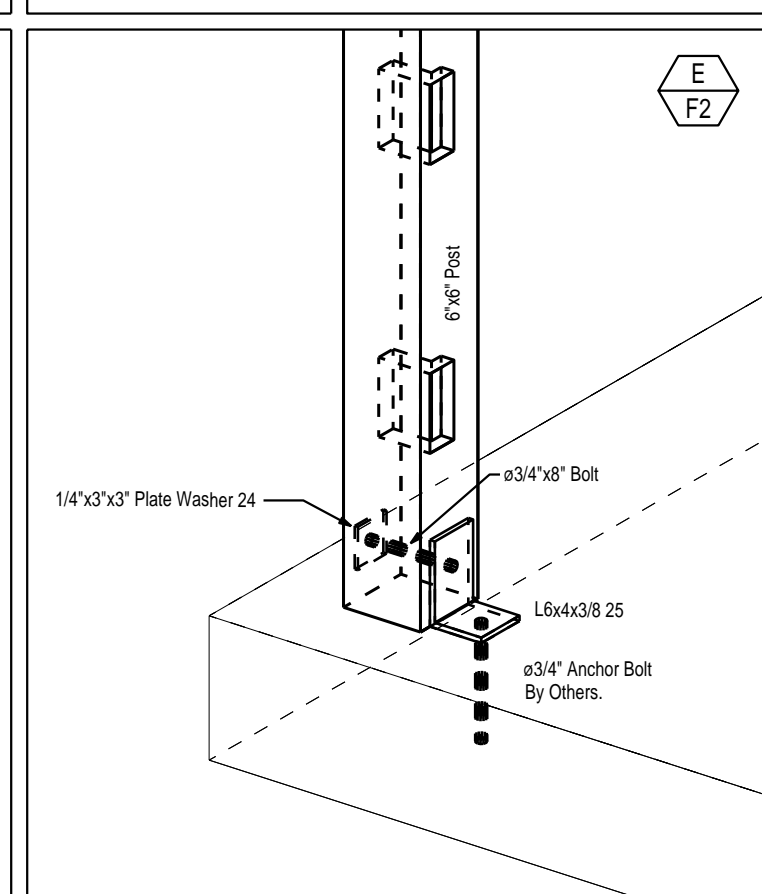
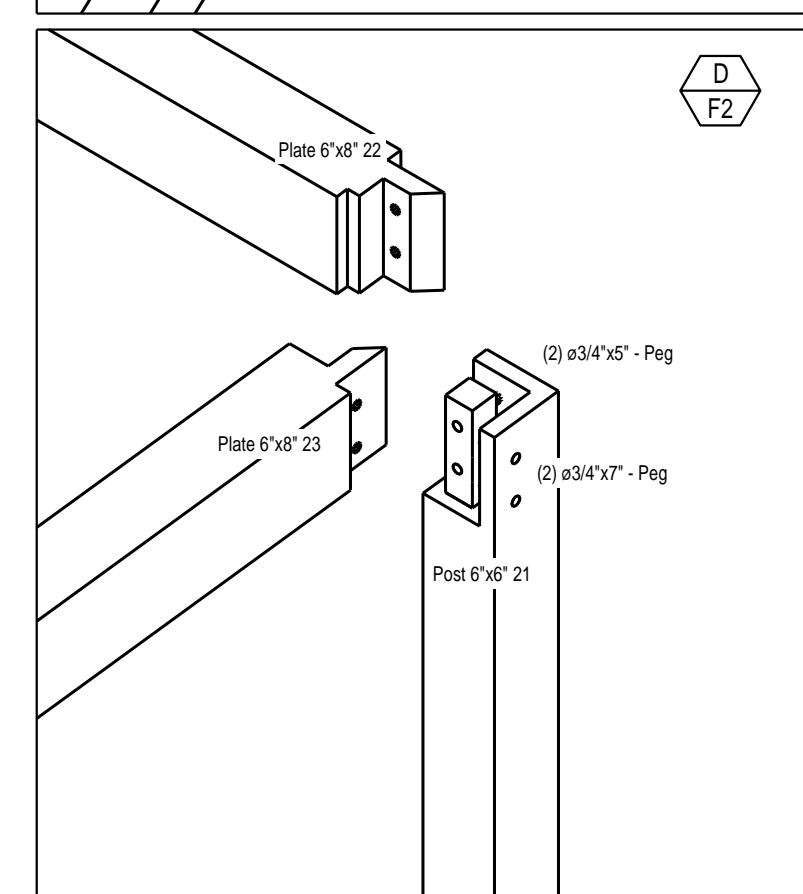
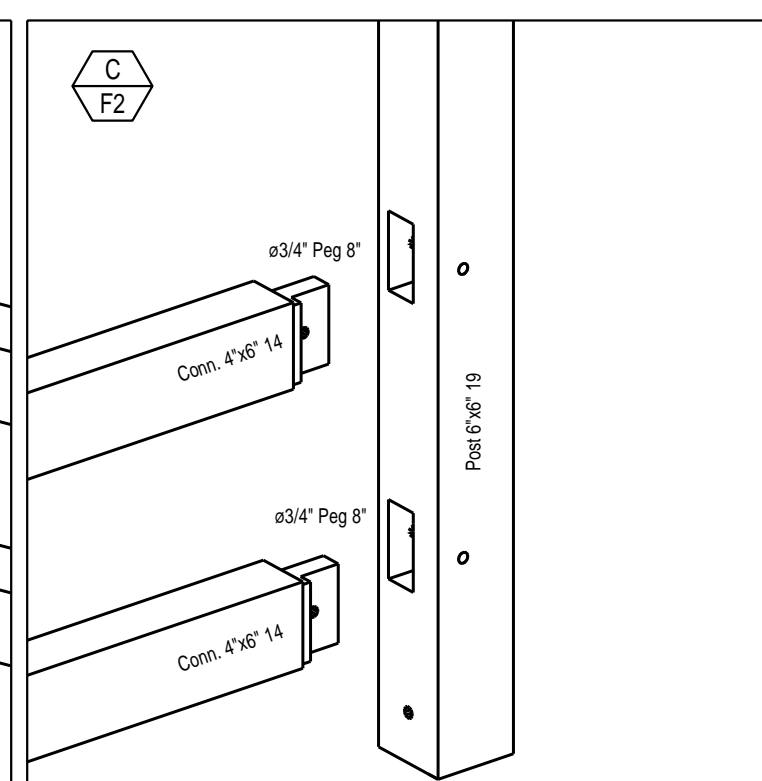
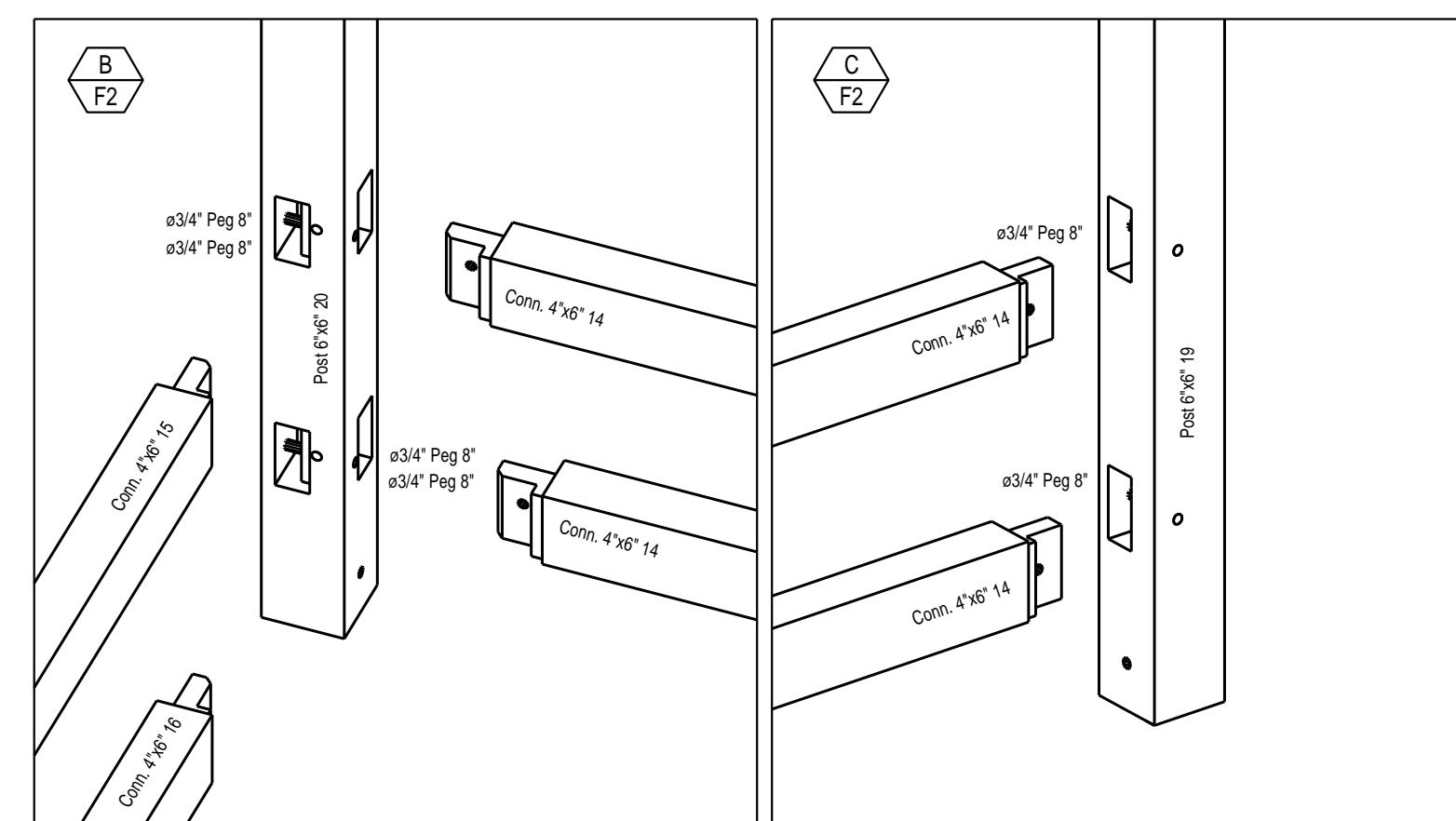
RIGHT SIDE SECTION



LEFT SIDE SECTION



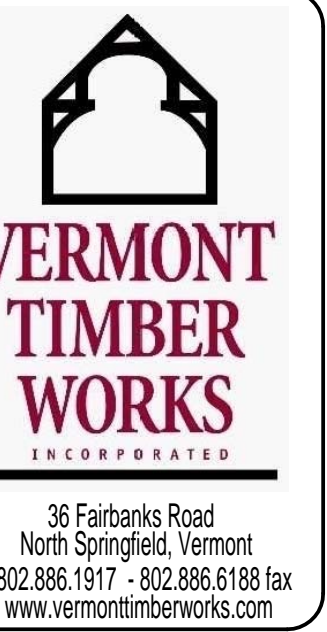
FRONT FRAMING SECTION



DETAIL VIEWS

**Preliminary Drawings**

Note: These drawings are preliminary. Minor changes in beam placement, size & design may be required for structural reasons. Architect and Contractor to verify ALL dimension.



THE ENGINEERING ADVICE, OPINIONS, AND RECOMMENDATIONS IN THIS DRAWING ARE THOSE OF THE LICENSED PROFESSIONAL ENGINEER WHOSE STAMP APPEARS HEREIN, AND NOT THOSE OF VERMONT TIMBER WORKS, INC.

Beit Sections  
Detail Views

Project: **Weathersfield Bus Shelter**  
**Timber Frame Bus Shelter**  
Weathersfield, VT

Drawn By: **PJZ**  
Scale: **1/2"=1'-0"**  
Date: **5/1/09**

Plot Date: 04-30-09

REVISIONS	BY
xx/xx/xx	XX

SHEET  
**F-2**  
COPYRIGHT VERMONT TIMBER WORKS, INC. THIS DRAWING MAY BE UTILIZED ONLY FOR THE WORK SHOWN HEREIN AT THE SITE SPECIFIED. ANY OTHER USE OF THIS DRAWING INCLUDING, WITHOUT LIMITATION, ANY REPRODUCTION OR ALTERATION OF THIS ARCHITECTURAL WORK WITHOUT THE PRIOR WRITTEN APPROVAL OF VERMONT TIMBER WORKS, INC. IS A VIOLATION OF LAW AND PROHIBITED.